

ICC-ES Listing Report ESL-1303

Reissued May 2024

This listing is subject to renewal in May 2025.

CSI: DIVISION: 08 00 00 – OPENINGS
Section: 08 62 00 – Unit Skylights

Product Certification System:

The ICC-ES product-certification system includes evaluating reports of tests of standard manufactured product, prepared by accredited testing laboratories and provided by the listee, to verify compliance with applicable codes and standards. The system also involves factory inspections, and assessment and surveillance of the listee's quality system.

Product: S750DS-O-DPI-FC CCI-EXX E-L2P Tubular Daylight Device (TDD)
S750DS-C-DPI-FC-CCI-EXX-E-TP-L2P Tubular Daylighting Device (TDD)
S750DS-C-DPI-FC-CCI-EXX-E-TM-L2P Tubular Daylighting Device (TDD)

Compliance with the following standard:

- ICC 500-2020 and ICC 500-2014, ICC/NSSA Standard on the Design and Construction of Storm Shelters, International Code Council, Inc.

Compliance with the following building code:

The TDD complies with the impact requirements of ICC 500 for use in horizontal surfaces of tornado or hurricane storm shelters.

The TDD design pressure per ICC 500 is 270 psf (12.9 kPa) for use with tornado shelters and 100 psf (4.788 kPa) for use with Hurricane Shelters. The design wind speed relative to this shall be determined per ICC 500 Section 304 based on the parameters noted therein.

The requirements are in accordance with the applicable sections of the following code editions:

- 2021 and 2018 *International Building Code*®
Applicable Section: 423
- 2021 and 2018 *International Residential Code*®
Applicable Section: R323.1

Identification:

1. The storm shelters have a permanent label indicating the report holder's name and address, the model number, the ICC-ES listing number (ESL-1303), and the ICC-ES Listing Mark, as applicable.
2. The report holder's contact information is the following:

SOLATUBE INTERNATIONAL INC.
2210 OAK RIDGE WAY
VISTA, CALIFORNIA 92081
(760) 597-4400
www.solatube.com

Installation: The product must be installed in accordance with the Solatube International Inc.'s published installation instructions and applicable codes. Installation of the dome and attachment of the flashing to the curb must comply with Figures 1, 2, or 3.

Conditions of listing:

1. The listing report addresses only conformance with the standard and code sections noted above.
2. Approval of the product's use is the sole responsibility of the local code official.
3. The listing report applies only to the materials tested and as submitted for review by ICC-ES.

4. Properties other than impact resistance and design pressure have not been evaluated such as durability, air infiltration, water penetration and are considered outside the scope of this listing report. Also, attachment to supporting ceiling conditions shown in Figures 1, 2, and 3 are outside the scope of the report.
5. The effects of the fasteners on the curb and the curb itself is outside the scope of this listing report.
6. Solatube International Inc. TDDs are manufactured under a quality control program with inspections by ICC-ES.

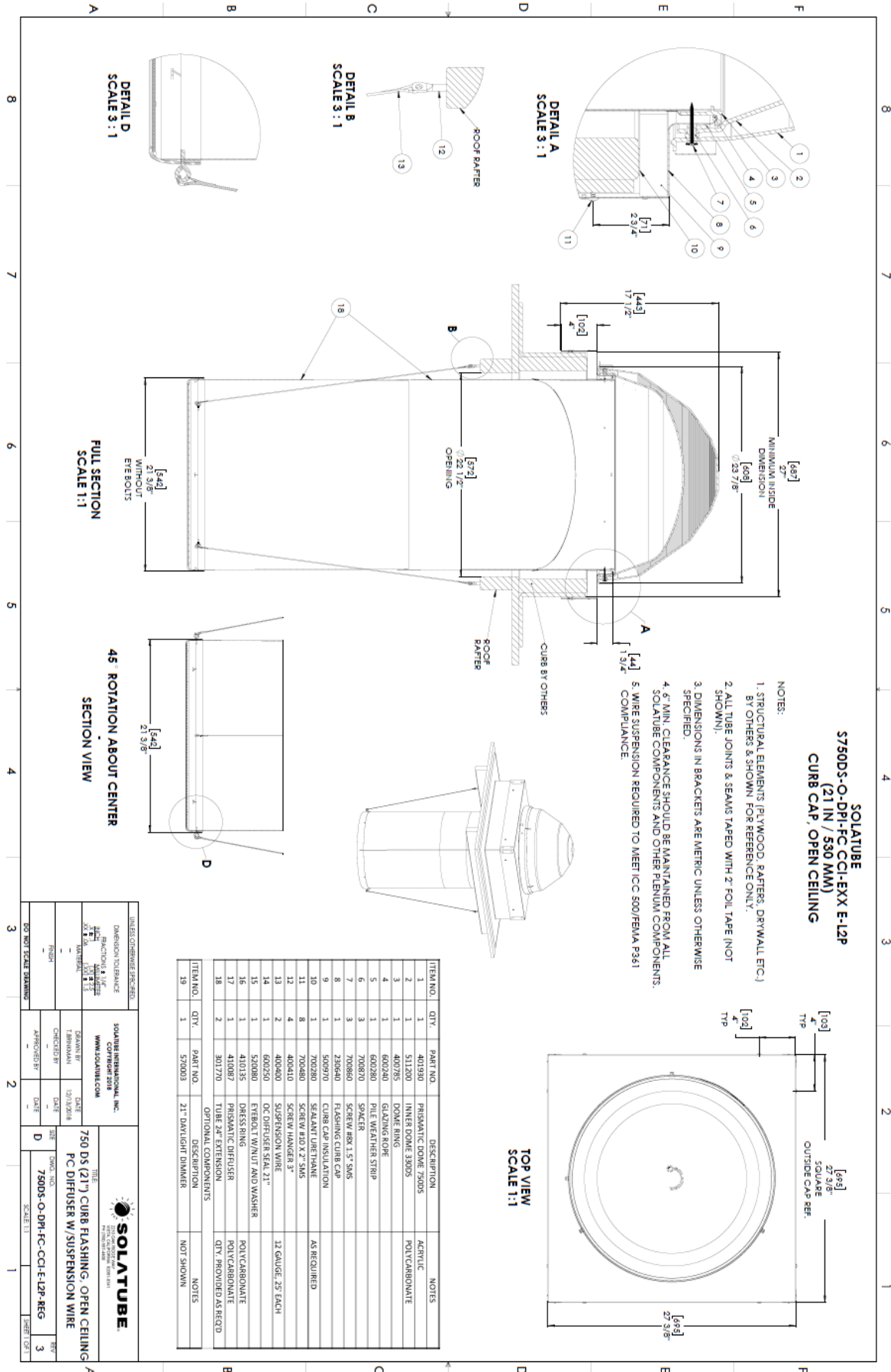


FIGURE 1 SOLATUBE INSTALLATION – S750DS-O-DPI-FC CCI-EXX E-L2P Tubular Daylight Device (TDD)

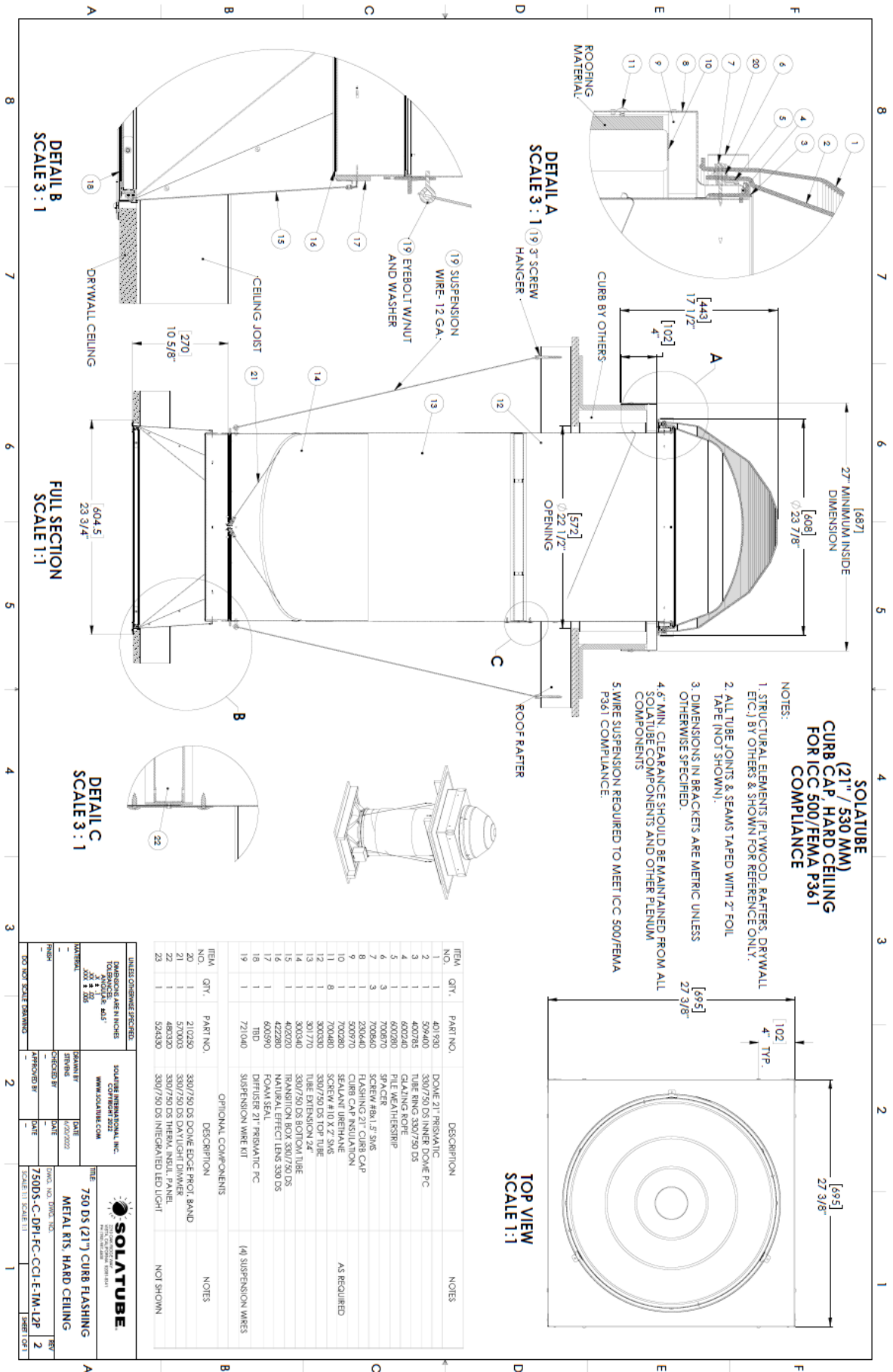


FIGURE 2 – SOLATUBE INSTALLATION – S750DS-C-DPI-FC-CCI-EXX-E-TP-L2P Tubular Daylighting Device (TDD)

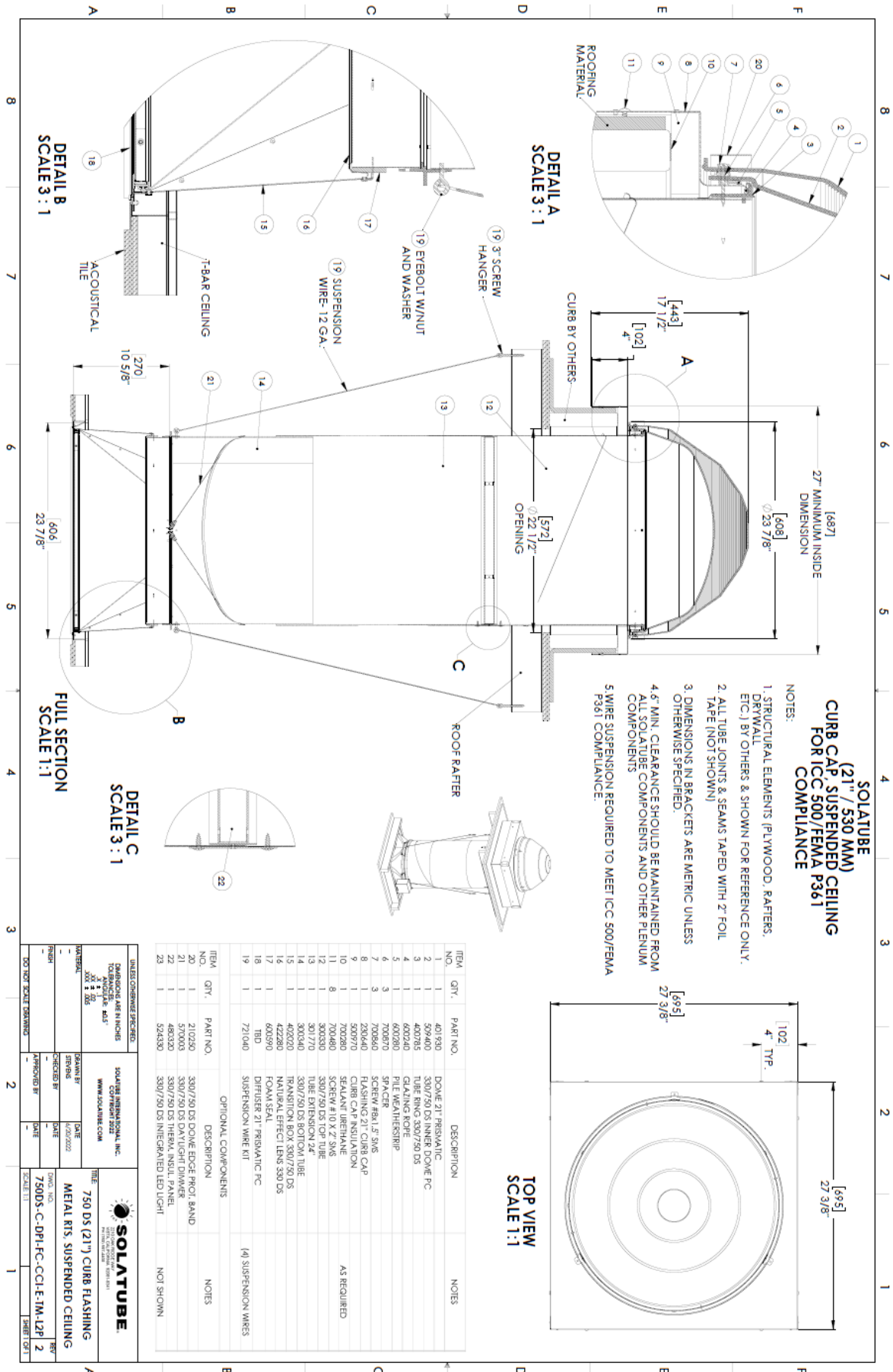


FIGURE 3 – SOLATUBE INSTALLATION – S750DS-C-DPI-FC-CCI-EXX-E-TM-L2P Tubular Daylighting Device (TDD)