

Solatube® 160 DS/290 DS Thermal Insulation Panel Installation Instructions

OVERVIEW

The Solatube Thermal Insulation Panel is designed for superior thermal performance. This product must be installed according to the installation instruction provided.

Note: Install the Thermal Insulation Panel after the bottom tube assembly has been installed and fastened to the ceiling.

Solatube Thermal Panel Assembly

Step 1. Remove protective lining from the Thermal Insulation Panels.

Step 2. Place the two Thermal Insulation Panels together and install the clips one at a time in the order shown. **(Diagram A, B)**

Step 3. Insert the assembled Thermal Insulation Panel into the bottom tube assembly and angle it down to fit the diameter of the tubing. **(Diagram C)**

Step 4. Pull down evenly on the tabs of the Thermal Insulation Panel until it rests evenly against the T-clips on the bottom tube. Ensure the bottom two tube rivets are between the two panels to allow the panel to lay evenly. **(Diagram D)**

Continue with diffuser installation in the standard installation instructions.

The following steps are provided for lamp replacement if a Solatube Light Add-On Kit has been installed.

Warning: Use of a standard incandescent bulb may cause fire or damage to the Thermal Insulation Panel. Do not use any bulb larger than a 14 Watt screw in compact fluorescent bulb or a bulb that does not exceed 4 1/4 (6 mm) in total length (equivalent to a 60 Watt incandescent bulb).

Light Add On Kit Lamp Replacement

Step 1. Remove the diffuser and the Natural Effect Lens for Climate Control if installed.

Step 2. Push up on the Thermal Insulation Panel. Carefully angle and remove the Thermal Insulation Panel from the bottom tube assembly (use caution to not drop the Thermal Insulation Panel).

Step 3. Remove and replace the light bulb.

Follow steps 3 and 4 in the above section to replace the Thermal Insulation Panel.

PARTS LIST

	QTY
1. Thermal Insulation Panel	(2)
2. Thermal Insulation Panel Clips	(4)

Diagram A

Install first clip onto the panels one at a time.

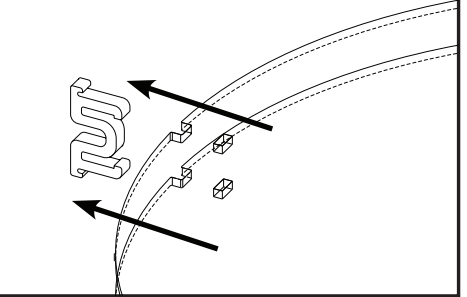


Diagram B

Install the clips in the order shown.

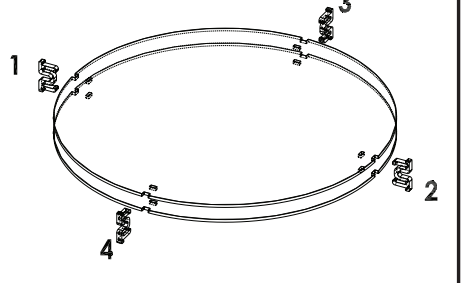


Diagram D

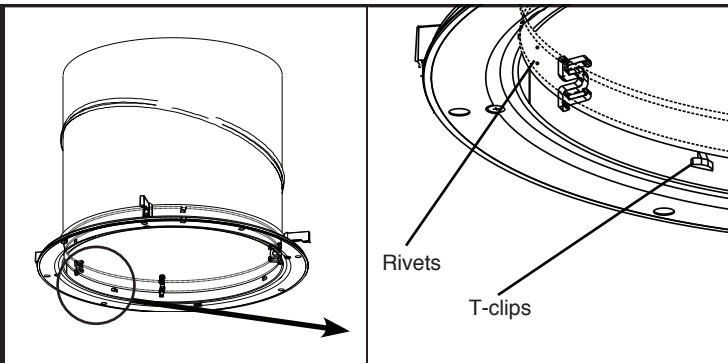


Diagram C

