



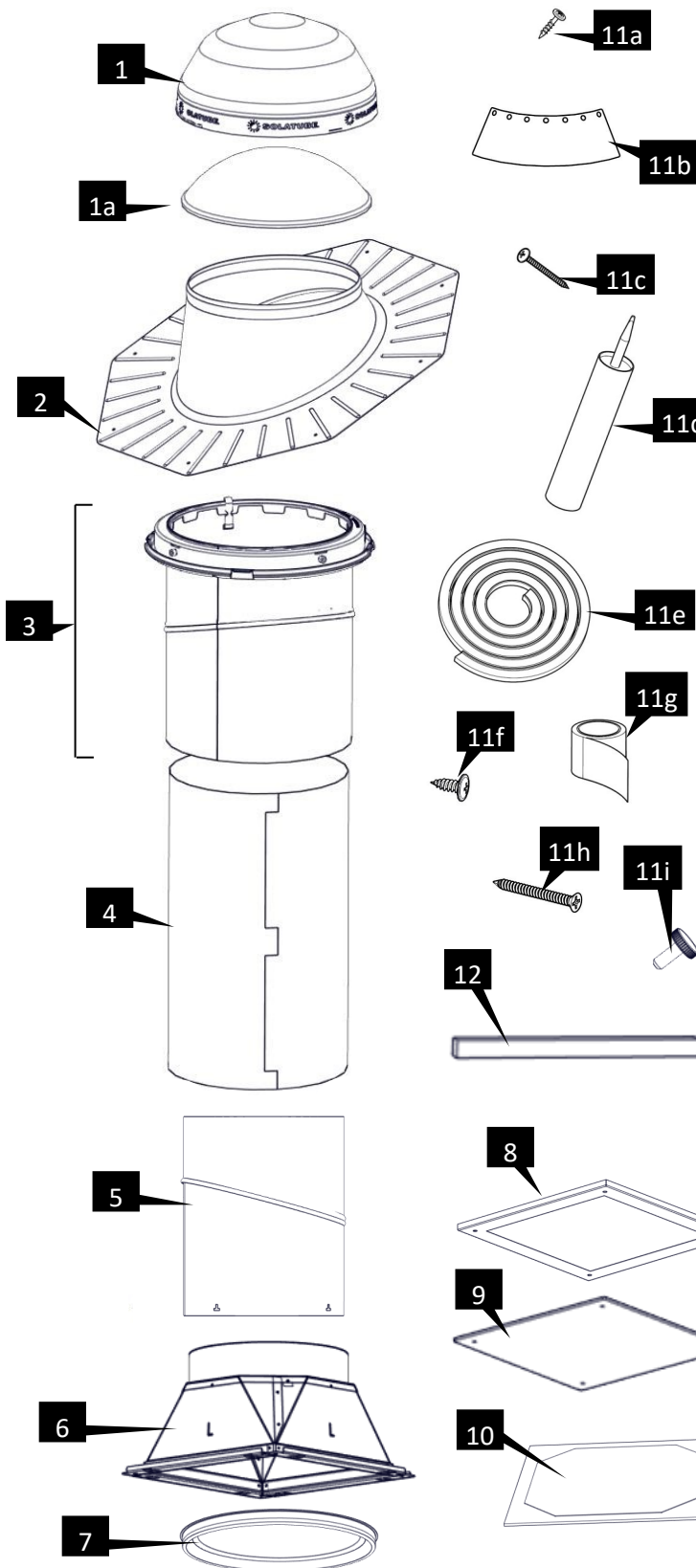
SOLATUBE

Innovation in Daylighting.

Solatube® Brighten Up® Series

Solatube® 160 DS /290 DS Square Kit

Installation Instructions



Parts List *		Quantity
1	Dome with Raybender® 3000 Technology	(1)
	a. Shock Inner Dome** (not included in some kits, see label on box)	
2	Roof Flashing (pitched or no pitch) (not included in some kits, see label on box)	(1)
3	Top Tube Assembly including: Dome Ring, Dome Ring Seal, Spectralight® Infinity Top Tube with Angle Adapter.	(1)
4	Spectralight® Infinity 16 in (400 mm) Extension Tube (not included in some kits, see label on box)	(2)
5	Bottom Tube including: Spectralight® Infinity Bottom Tube with Angle Adapter	(1)
6	Square Assembly including: Spectralight® Infinity with Tube Collar ** †	(1)
7	Natural Effect Lens	(1)
8	Square Diffuser Frame	(1)
9	Square Diffuser	(1)
10	Square Template	(1)
11	Seal and Fasteners	
	a. Dome Ring Screws - #8 X 1.25 in (32 mm)	(5)
	b. LightTracker™ Reflector	(1)
	c. Flashing Screws - #10 X 2 in (51 mm)	(8)
	d. Roof Sealant (not included in some kits, see label on box)	(1)
	e. Expansion Joint Seal	(1)
	f. Tube Screws - #8 X 9/16 in (14 mm)	(10)
	g. Foil Tape - 2 in (51 mm) X 18 ft (5.5 m) roll	(1)
	h. Drywall Screws - #6 X 1 5/8 in (40 mm)	(9)
i. Thumb Screw	(4)	
12	Wood Backer* 14 in X 1 in X 2 in (355 mm X 25 mm X 51 mm)	(2)

Required Tools:

Keyhole Saw	Caulking Gun
Saber or Reciprocating Saw	Screw Gun with Phillips Head
Hammer	Lumber Crayon
Flat Bar	Magnetic Compass
Utility Knife	Required Safety Equipment
Tape Measure	
Ceiling Sealant (White Acrylic Latex Caulk or Equivalent) Not Provided Optional (See Step 14)	

*Components shown not included in all kits, see label on box.

**High Velocity Hurricane Zones: Shock Inner Dome must be installed with dome.

** † Items are not supported by building code approval

For the most current Installation Instructions, please visit www.solatube.com/instructions

Solatube International, Inc. | 2210 Oak Ridge Way | Vista, CA 92081-8341 | www.solatube.com | T: 888.SOLATUBE

WARNING



Do not proceed with the installation until you have read the entire instructions, including these warnings. (Use of materials or methods not authorized by Solatube International will result in an invalid warranty.)

Solatube International, Inc. (seller) assumes no responsibility or obligation whatsoever for the failure of an architect, contractor, installer, or building owner to comply with all applicable laws, ordinances, building codes, electrical codes, energy codes, fire and safety codes and requirements, roof warranties and adequate safety precautions. Installation of this product should be attempted only by individuals skilled in the use of the tools and equipment necessary for installation. Protect yourself and all persons and property during installation. If you have any doubt concerning your competence or expertise, consult a qualified expert before proceeding.



Install at your own risk!

Solatube product installations may be dangerous and include the potential for death, personal injury and property damage. The hazardous conditions include but are not limited to the following:

- **During installation, the Solatube Daylighting System's reflective tubes may focus sunlight, causing intense heat or fire. Remove protective film only after the parts have been installed. Prior to and during installation, do not leave tubes in contact with combustible materials or unattended, especially near direct sunlight. Avoid skin burns.**
- **Do not leave debris from installation process unattended. Scrap from tubing and foil tape are highly reflective and if left unattended can focus sunlight and can cause intense heat or fire. Clean up all unused material and trash and store or discard in proper covered locations.**
- Solatube Daylighting System and Solar Star products may have sharp edges. Always wear leather or canvas gloves while handling and installing products.
- Solatube product installations require climbing and working at dangerous heights, including on ladders, scaffolding, roofs and in attic spaces. Risk of death, personal injury and property damage may result from a fall, or from falling objects. Use extreme caution to minimize risk of accidental injury, including, but not limited to the following procedures:
 - Clear area below your work space of all people, animals and other items.
 - Avoid working on surfaces that are slippery or wet.
 - Use foot-wear with excellent traction.
 - Use only strong, well supported ladders.
 - Work only in calm dry weather.
 - When in the attic, ensure that your weight is supported at all times with structurally sound framing; drywall material is not designed to carry a person's weight.
- To reduce the risk of fire, electric shock, and personal injury, basic safety precautions should always be followed when using electric tools, including always wearing safety goggles or other suitable eye protection, and ensuring work area is clear of all electrical wires, gas pipes, water pipes, and other obstacles.
- When working in the attic or other dusty areas, use of a mask or respirator is recommended to avoid lung irritation. Attic spaces may be dark, confined, and subject to extreme temperatures. Beware of sharp protruding objects. Do not attempt installation without having someone within range of your voice or close enough to come to your aid if necessary.
- Solatube products are not designed to withstand the weight of a person, tools or other objects. Walking or placing objects on the system could cause personal injury and property damage. If the product is damaged, the structural capacity may be weakened; therefore the system should be repaired immediately. For safe installation and use, do not deviate from these installation instructions.
- Additional support is recommended for long vertical and all horizontal tube runs. Review local building requirements and consult with appropriate building code official for proper material and placement of additional support. Avoid galvanic reaction (corrosion) if dissimilar metals are used.

Electrical Components

- Before installing, servicing, or cleaning unit, switch power off at service panel and lock service panel to prevent power from becoming switched on accidentally. When the service disconnecting means cannot be locked, securely fasten a prominent warning device such as a tag to the service panel.

Re-Roofing

- Solatube products require special care if removed for re-roofing. In order to ensure proper removal and re-installation, please contact your Solatube International representative.

Please refer to the installation tips for the appropriate product below:



Daylighting Systems Installation Tips

These instructions are a step-by-step guide for the installation of a Solatube Daylighting System in the following conditions. For other roof types, please contact your Solatube International representative for additional information.

Built Up Flat Roof - Single Ply/Membrane - Asphalt Shingle - Low/No Pitched - Pitched - Prefabricated Curbs - Metal Roof Panels

For the most current Installation Instructions, please visit www.solatube.com/instructions

Solatube International, Inc. | 2210 Oak Ridge Way | Vista, CA 92081-8341 | www.solatube.com | T: 888.SOLATUBE



Daylighting Systems Installation Tips (Continued)

- Allow at least 2-3 hours for the installation, particularly if this is your first installation.
- During the day, turn off all the lights in the room to see how much natural light comes in through the windows, and determine the best position for the Solatube Daylighting System. To light a specific area, place the system over the area, not in the center of the room. This will prevent the desired area from being shaded by tall objects in the room.
- Measure the distance between the roof and the ceiling. If you don't have enough tubing, contact your Solatube International representative for additional tubing.
- Avoid roof locations shaded by trees, ridges and chimneys, or near water channels or valleys. Also avoid roof areas with obstructions such as fire sprinklers, HVAC equipment, gas, water or drain pipes, air ducts or flues and make sure that the roof is adequate to endure an installation without damaging its waterproofing properties or weakening the building structure.
- All adhesives, seals and tapes are recommended to be applied to a clean and dry surface at a minimum of 70°F (21°C) for maximum performance.
- Foil tape contains a pressure sensitive adhesive and pressure must be applied at all seams for proper bonding. Foil tape is not intended for use as structural support of the extension tubes. For structural integrity use manufacturer supplied fasteners on all overlapping extension tube joints.
- Uninstalled product that is stored and exposed to excessive heat and or humidity can experience damage. Store product prior to installation in a cool dry place.



Light Add-On Kit Installation Tips

- This product is to be installed by qualified electricians only. Disconnect power before installation.
- "FOR USE IN NON-FIRE-RATED INSTALLATIONS ONLY."
- Thermally protected "TYPE IC" (insulation may contact housing).
- "ACCESS ABOVE CEILING REQUIRED."
- "SUITABLE FOR DAMP LOCATIONS." Use only as a component of Solatube Daylighting System products.
- "MIN. 60°C SUPPLY CONDUCTORS."
- Intended for installation with ½ in (12.7mm) minimum spacing from the fixture to cavity surfaces (side wall and overhead building member) and 1 in (25.4mm) minimum spacing to adjacent fixtures.
- Blinking light may indicate improper lamp wattage or type, or insulation is too close to fixture, or other condition causing overheating.

Caution

- Risk of fire and electrical shock. Most dwellings built before 1985 have supply wire rated 60° C.
- To reduce the risk of fire, use only:
 - Any Medium Base E26 Lamp Rated 23 Watt Maximum (LED, Compact Fluorescent (CFL), or Incandescent), Maximum Overall Length (MOL) 4 3/4 in (120 mm)
- Minimum thickness of metal tubing is 0.018 in (0.47mm)



Ventilation Add-On Kit Installation Tips

See Ventilation Add-On Kit installation instructions for tips.



Solar Star Attic Ventilation Installation Tips

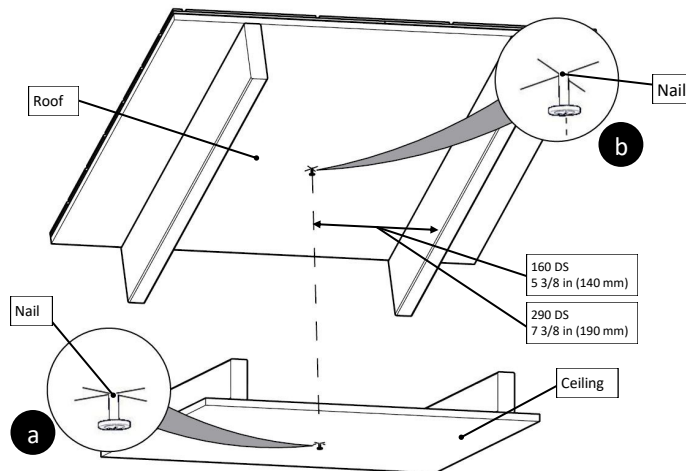
- Keep Solar Star solar panels covered until product is mounted and sealed to roof. Cover solar panel whenever motor, fan, or unit is to be serviced. Fan blade is controlled by the solar panel and may become operational when panel is exposed to sunlight.
- Solar Star products are designed for general ventilation purposes only. Do not exhaust any hazardous materials or gases such as flammable, explosive or incendiary materials.
- Solar Star products have an unguarded fan blade. Do not use Solar Star products in areas that are easily accessible.

Caution

- Carbon monoxide may be drawn into a house or attic space with the operation of Solar Star products if fuel-burning equipment is not serviced or monitored regularly. Carbon monoxide (CO) is a colorless, odorless gas that can be hazardous to your health and may cause death. Fuel-burning equipment must have proper ventilation, Solar Star products are not designed to provide ventilation for fuel-burning products.

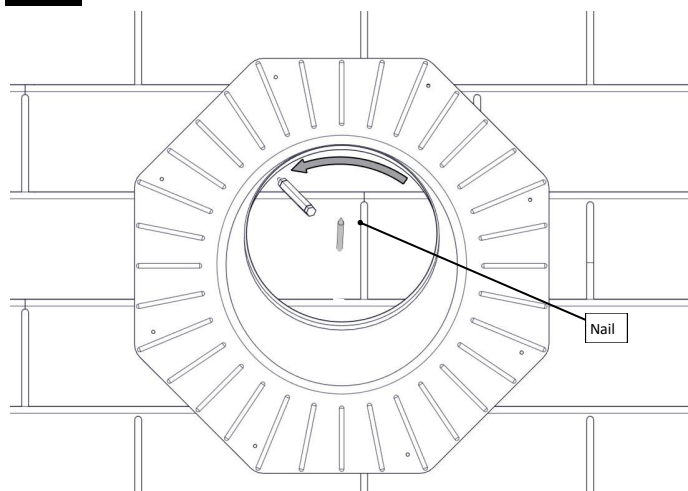
1

Mark Ceiling and Roof Location Between Joists and Rafters Using Nails. Cut Ceiling Hole.
Minimum clearance of 5 3/8 in (140 mm) for 160 DS and 7 3/8 in (190 mm) for 290 DS between nail hole center and joist.



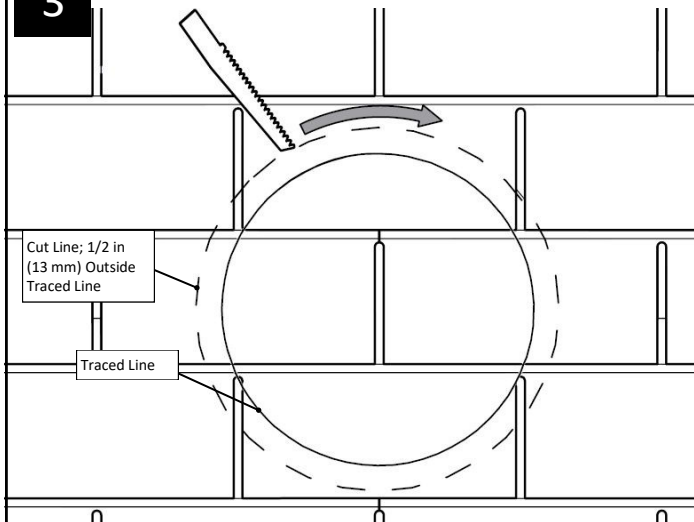
2

Center on Nail and Trace Inside Flashing Base



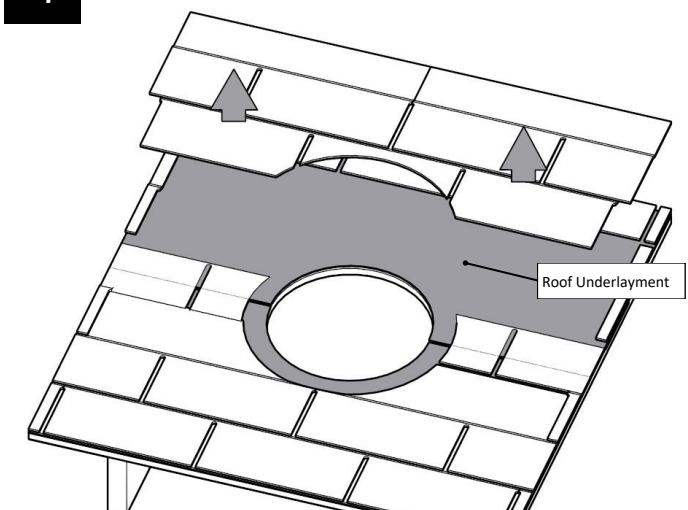
3

Cut Roof Opening



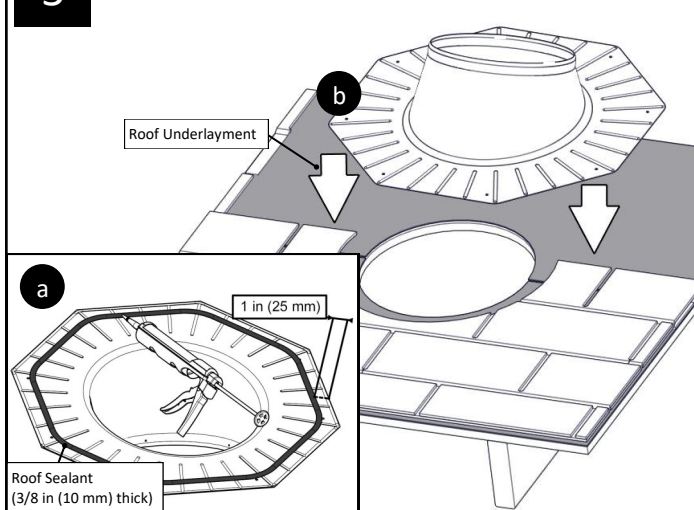
4

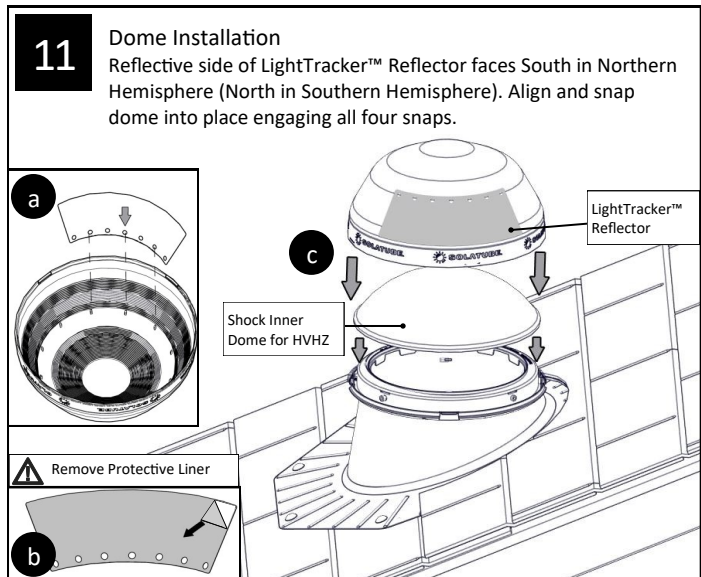
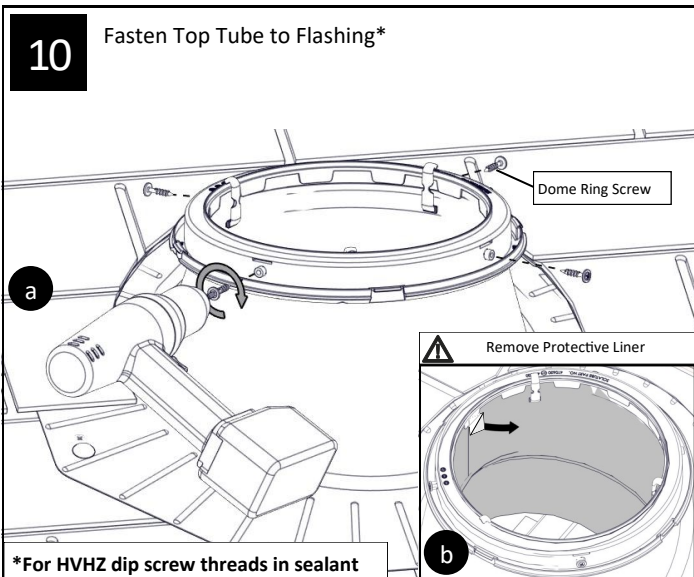
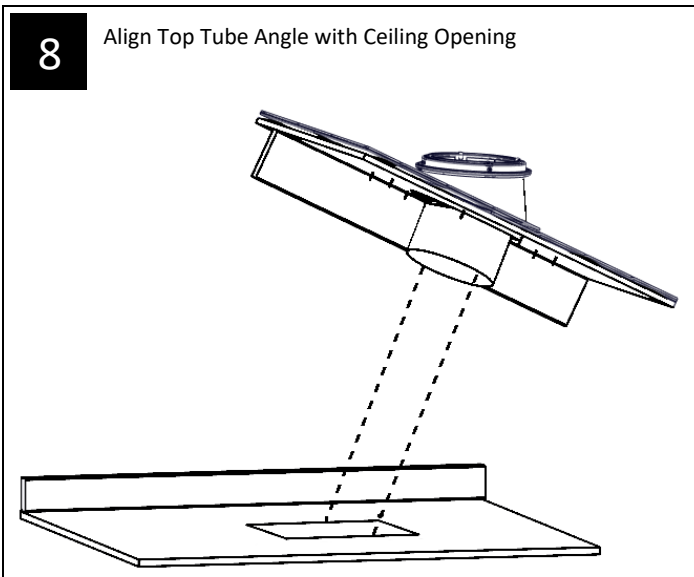
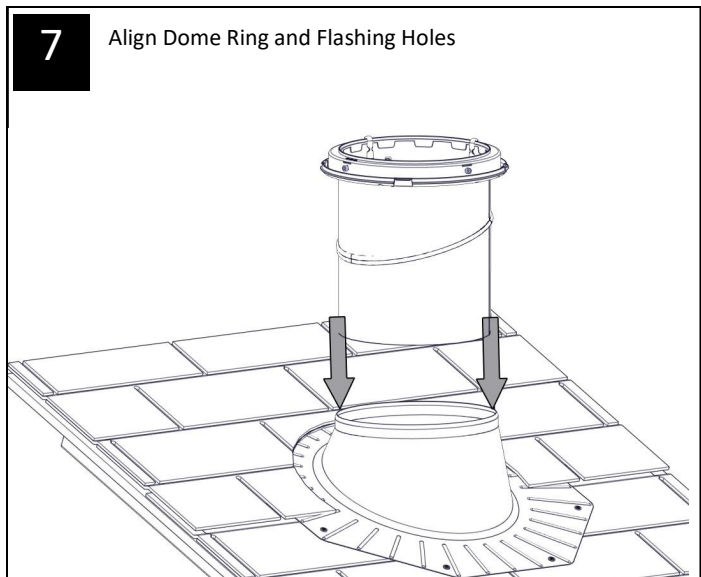
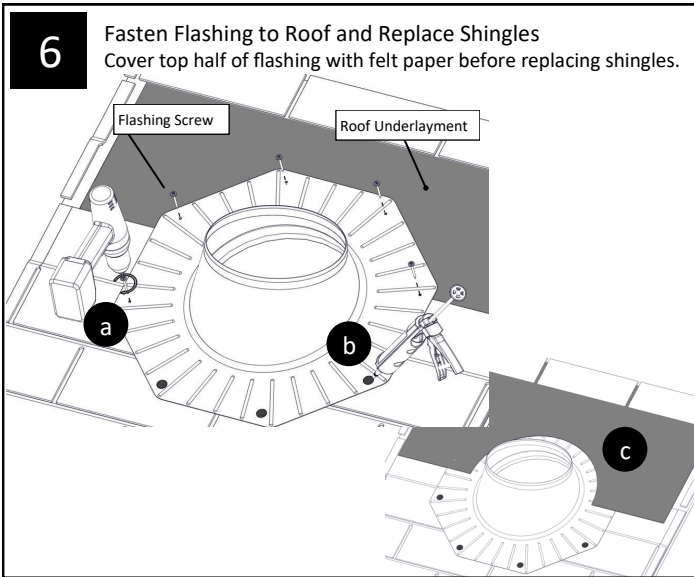
Remove Roof Shingles

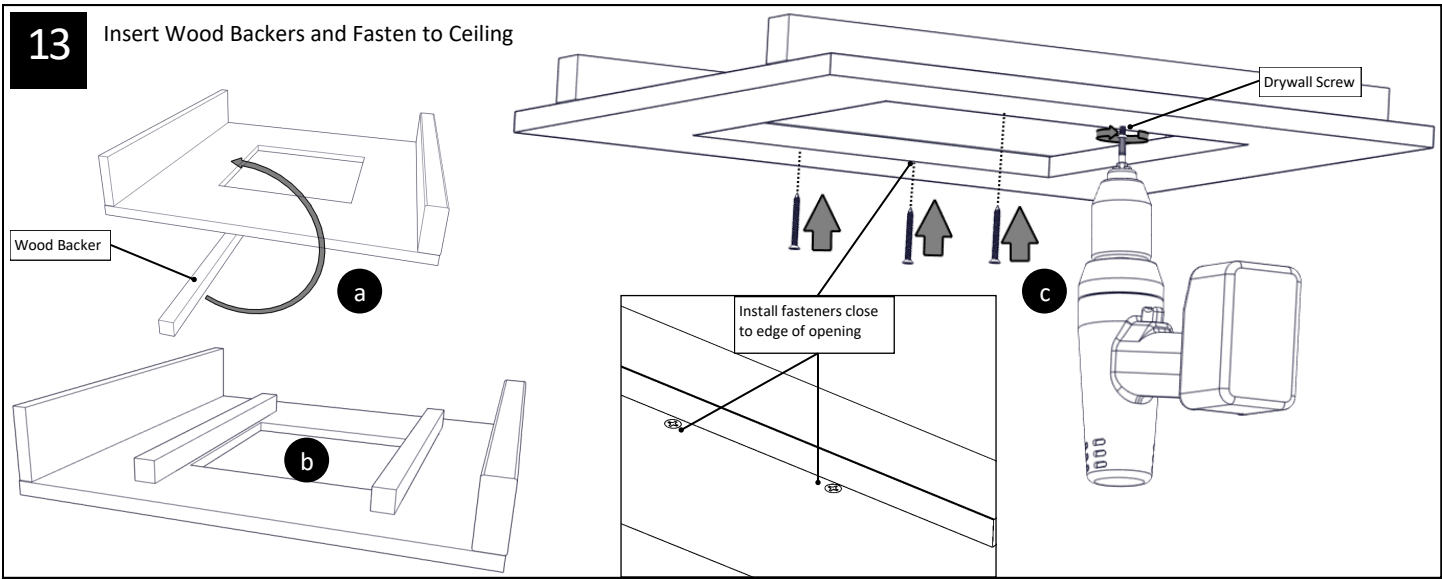
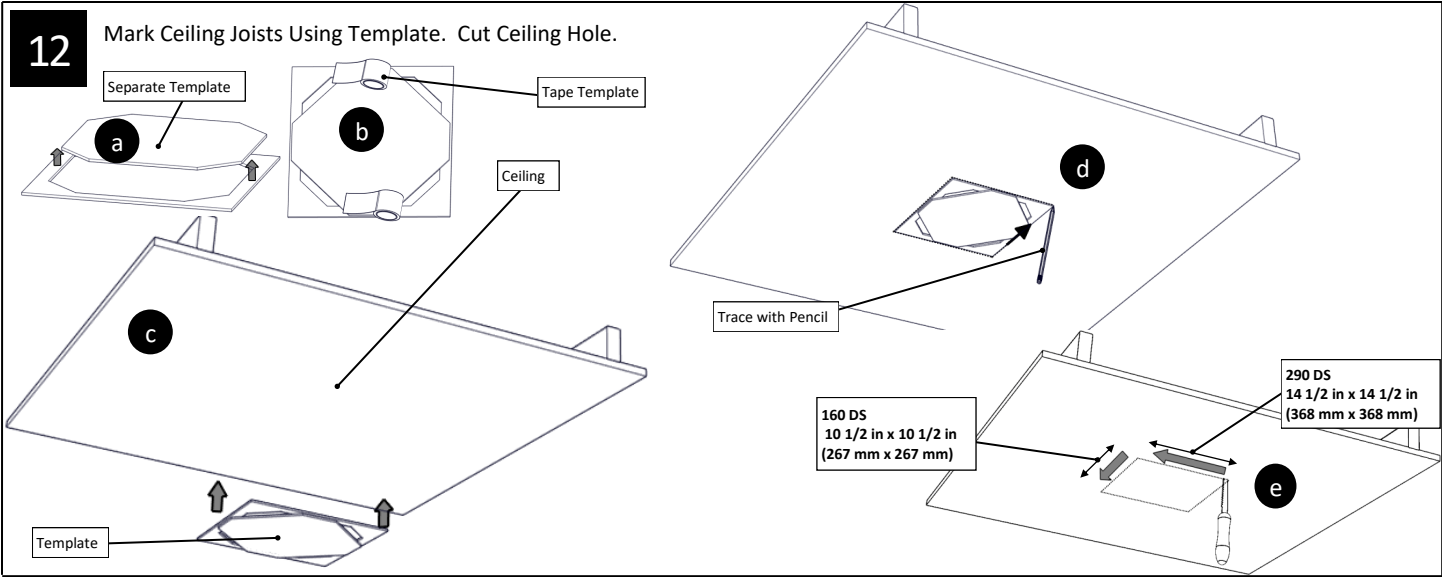


5

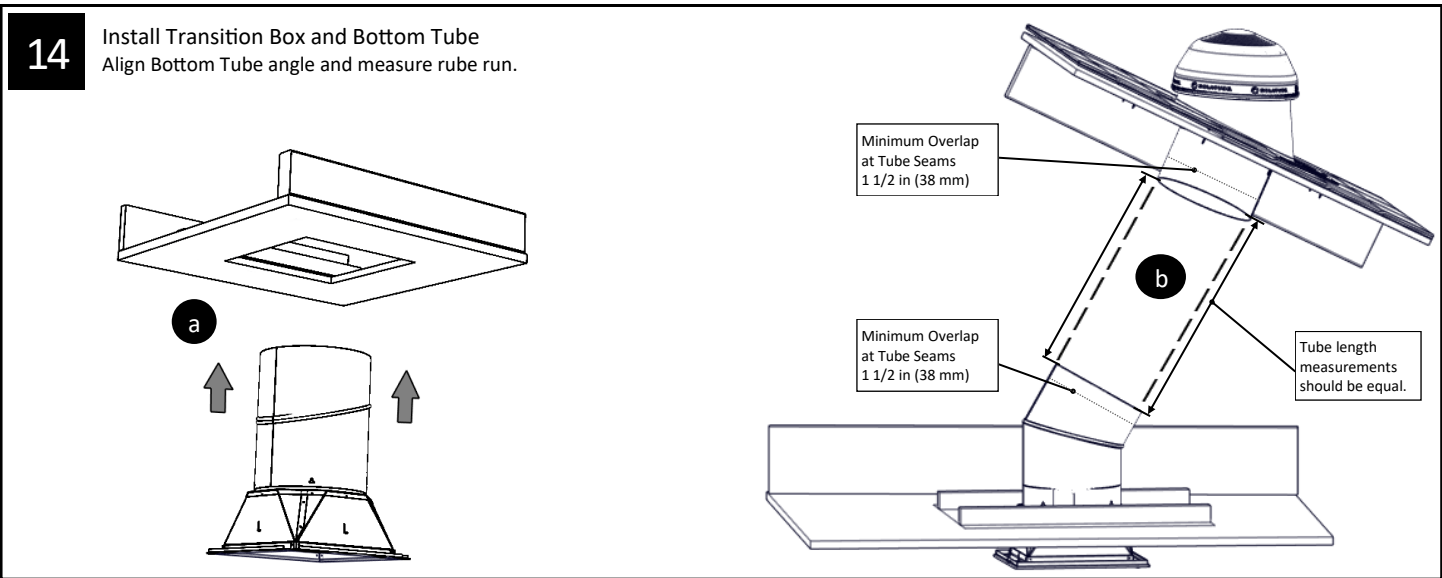
Set Flashing







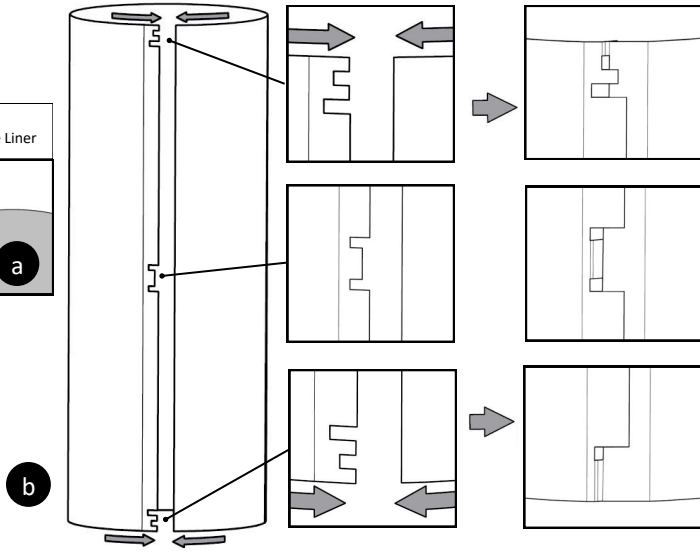
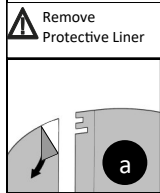
Note: Wood Backers supplied for U.S. and Canada markets only.



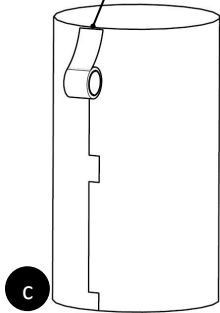
15

Assemble Tube Run

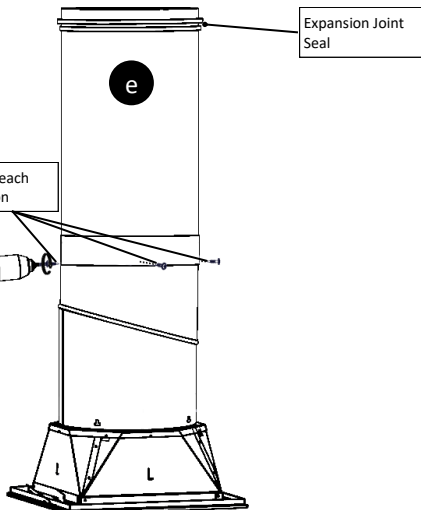
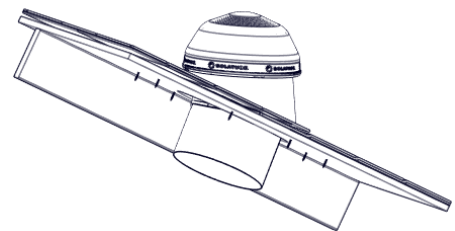
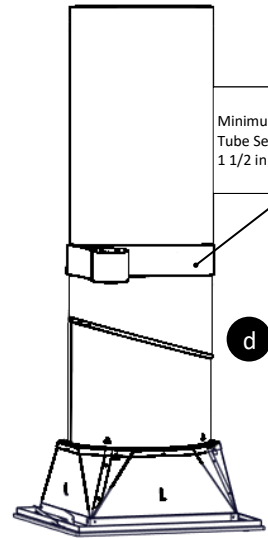
Use notches to create a tapered tube.



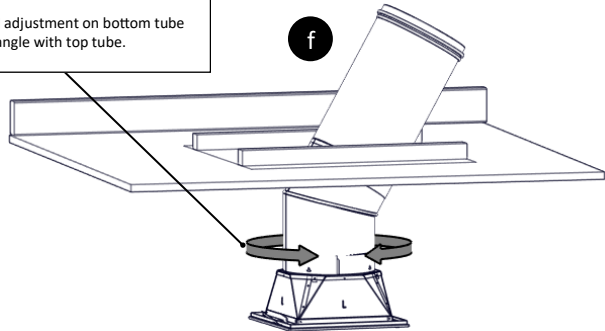
Apply pressure to tape for proper bonding



Minimum Overlap at Tube Seams 1 1/2 in (38 mm)



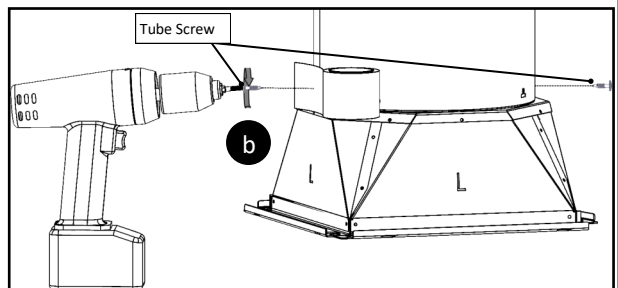
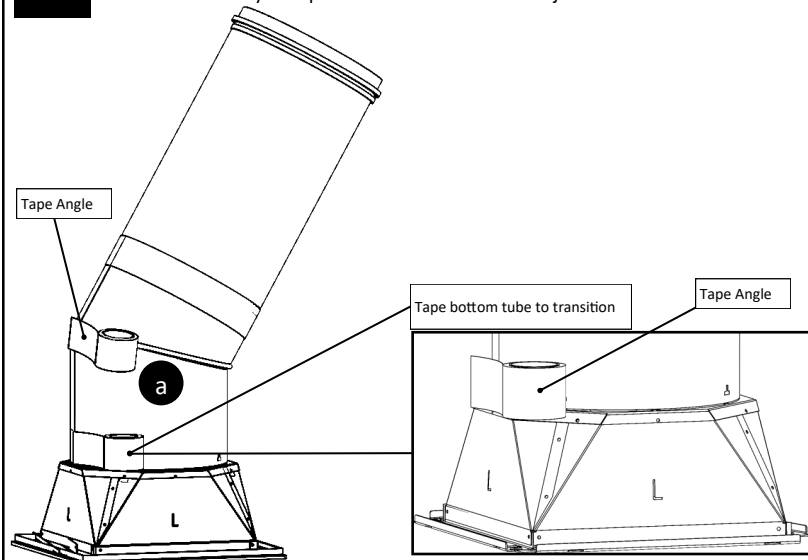
Make final adjustment on bottom tube and align angle with top tube.



16

Install Tube Run

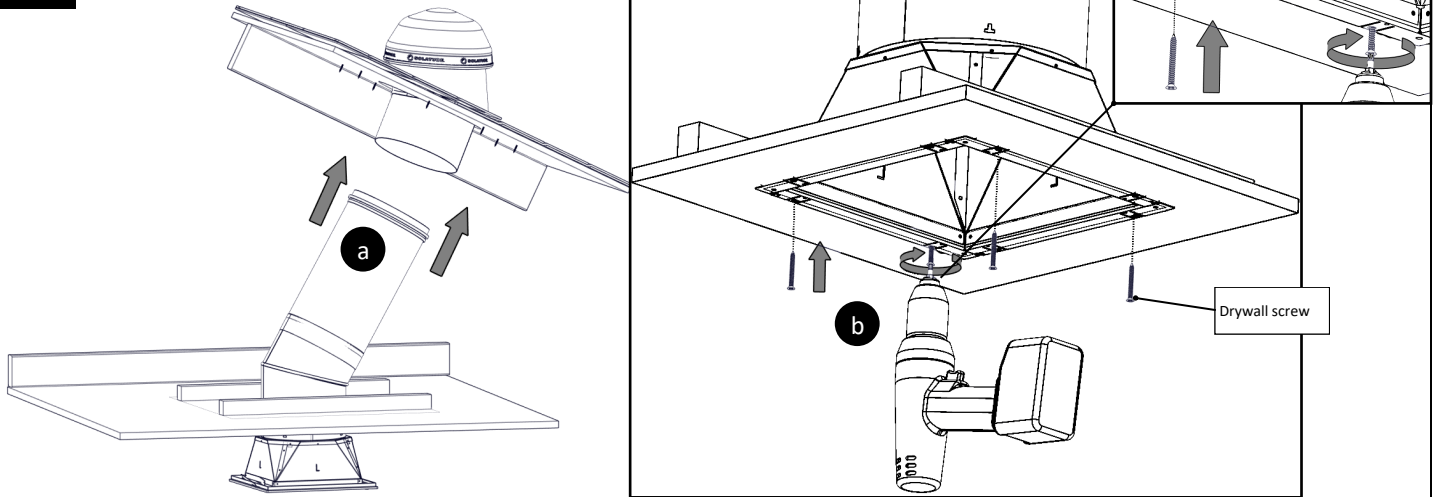
Remove assembly to tape and fasten all seams and joints.



For the most current Installation Instructions, please visit www.solatube.com/instructions
Solatube International, Inc. | 2210 Oak Ridge Way | Vista, CA 92081-8341 | www.solatube.com | T: 888.SOLATUBE

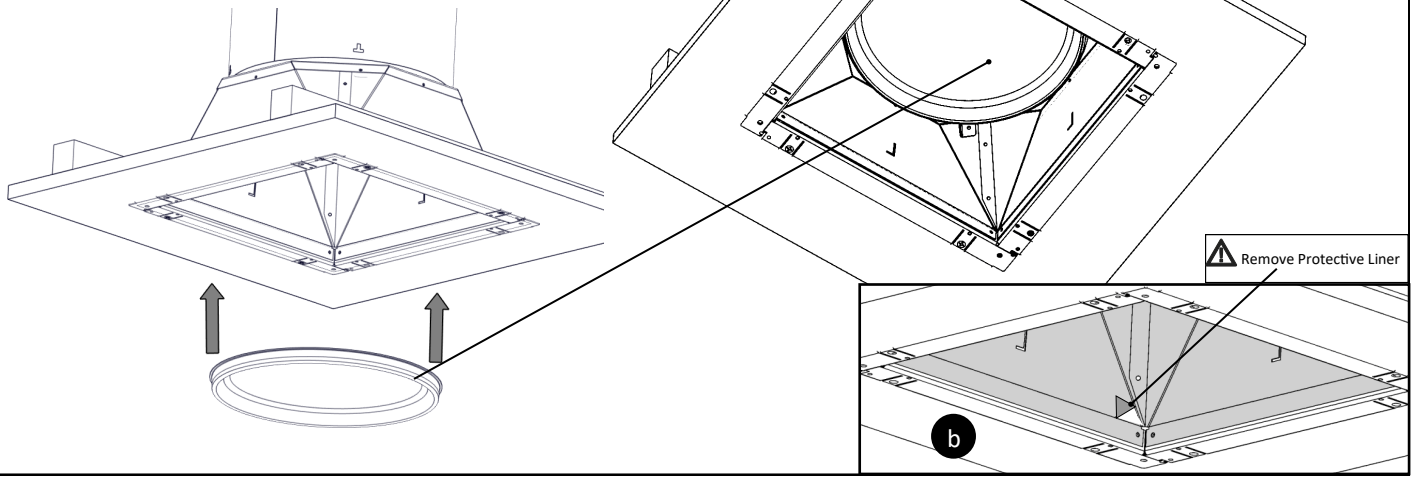
17

Install Tube Run and Fasten
Use drywall screws to fasten to ceiling.



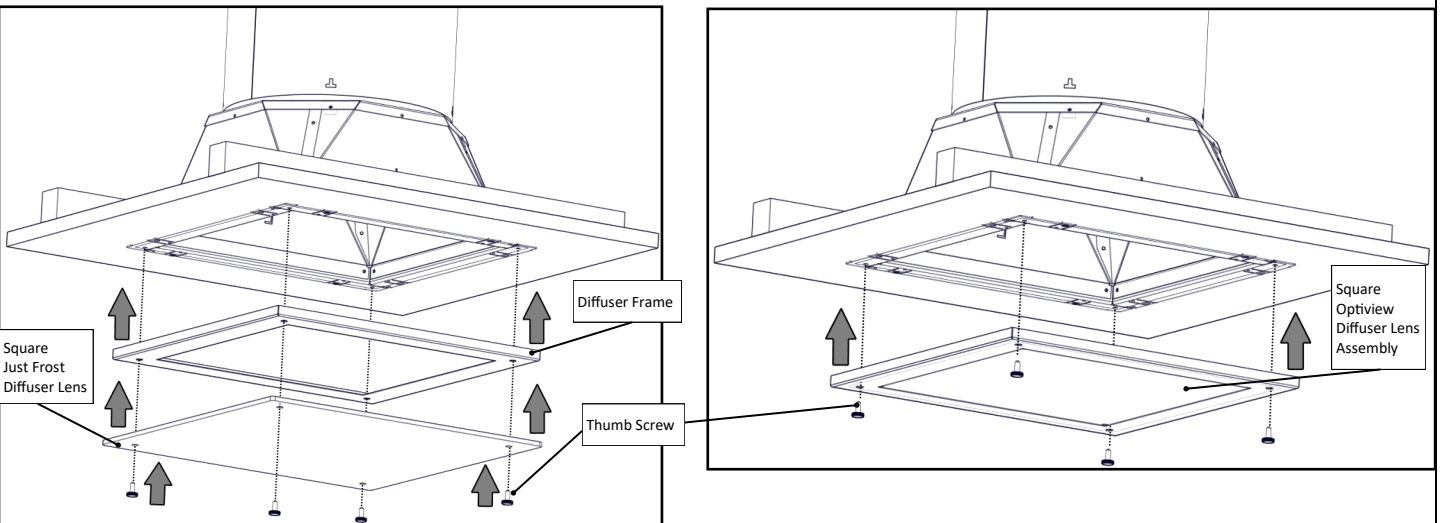
18

Install Effect Lens and Diffuser



19

Install Diffuser
Align diffuser frame with transition box and install thumb screws.

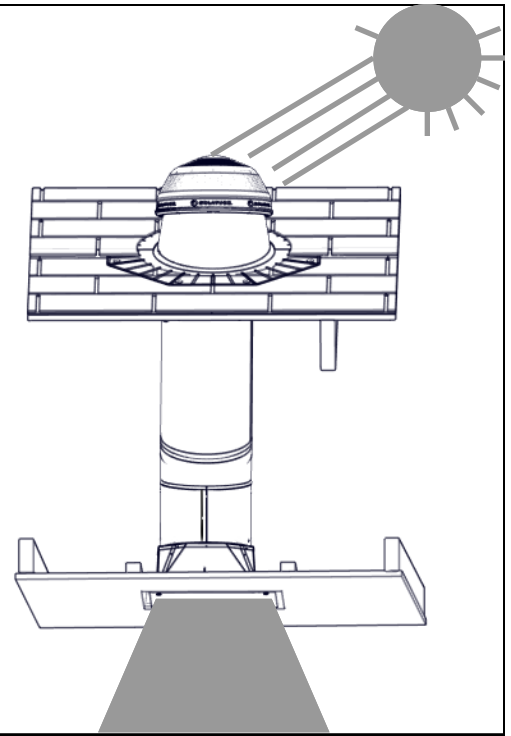


! Diffuser Cleaning Tip. If cleaning is necessary, wipe Diffuser or Decorative Fixture with a soft cloth or microfiber and water only to prevent scratches. Refer to Solatube Products Ownership and Care guide (Part Number 950910) for more details.

For the most current Installation Instructions, please visit www.solatube.com/instructions

20

Now you can enjoy the benefits of your Solatube Daylighting System and the high performance, natural lighting it provides.



Please refer to the Brighten Up Series Main Set of Instructions (P/N 951780) for additional accessories and Flashing options.

Notes

Notes



Solatube International, Inc.,
2210 Oak Ridge Way, Vista CA 92081-8341
Phone (800) 966-7652 • Fax (760) 599-5181
www.solatube.com Part No. 951735 v1.3