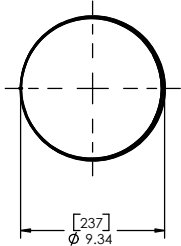
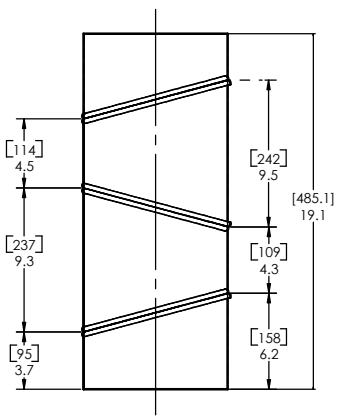
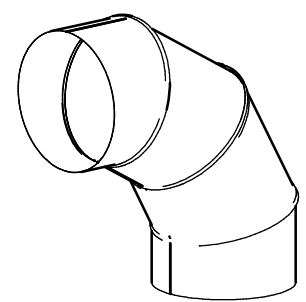


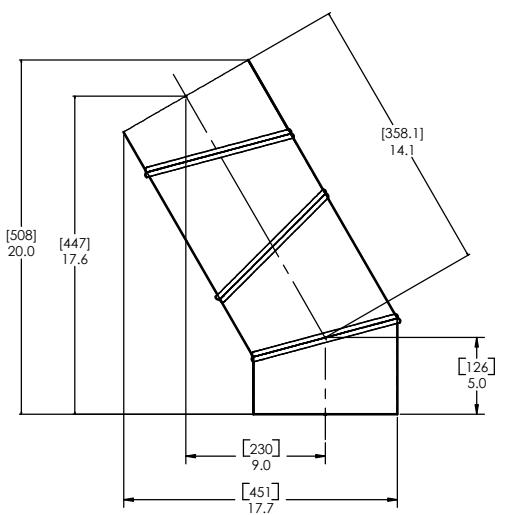
8 | 7 | 6 | 5 | 4 | 3 | 2 | 1



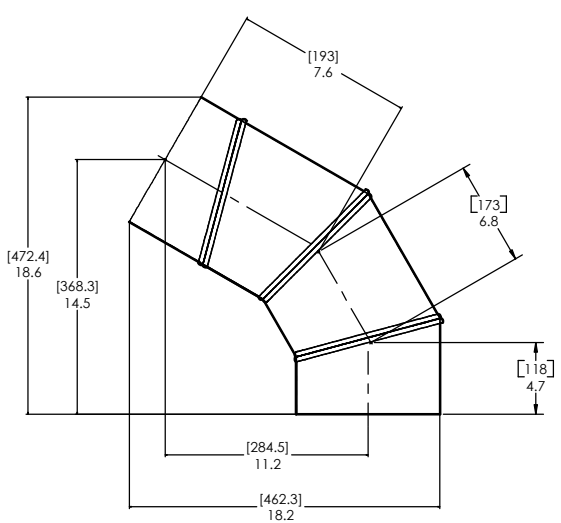
**TOP VIEW
STRAIGHT**



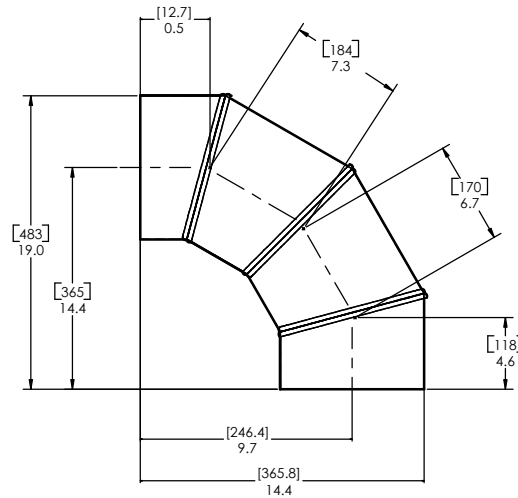
**STRAIGHT
SCALE 1:1**



**30° ANGLE
SCALE 1:1**



**60° ANGLE
SCALE 1:1**



**90° ANGLE
SCALE 1:1**

UNLESS OTHERWISE SPECIFIED:		PROPRIETARY AND CONFIDENTIAL	
TOLERANCES:		THE INFORMATION CONTAINED IN THIS DRAWING IS THE SOLE PROPERTY OF SOLATUBE. ANY REPRODUCTION IN PART OR AS A WHOLE WITHOUT THE WRITTEN PERMISSION OF SOLATUBE IS PROHIBITED.	
ANGULAR: ±0.5°		DATE: 2/17/06	
INCH	X ± .2	DRAWN BY	STEVENSON
MILLIMETER	X ± .25	CHECKED BY	
XX ± .01	XX ± .12	APPROVED BY	
XXX ± .005	XXX ± .025	DATE	
MATERIAL		DRAWN BY	
FINISH		DATE	
DO NOT SCALE DRAWING		DATE	
TITLE:		DWG. NO.	
0-90 DEGREE EXT. TUBE		D 10-90DEG-EXT	
10 INCH		SCALE: 1:4	
REV		SHEET 1 OF 1	
2			



8 | 7 | 6 | 5 | 4 | 3 | 2 | 1