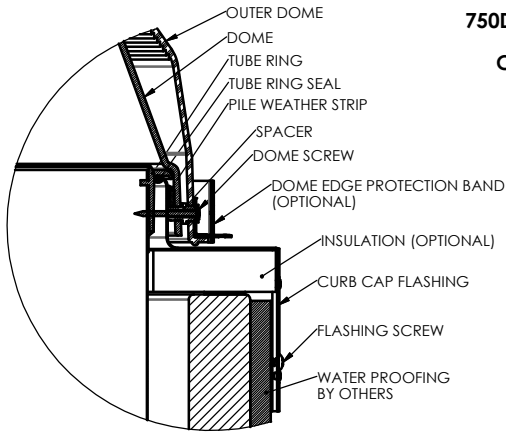
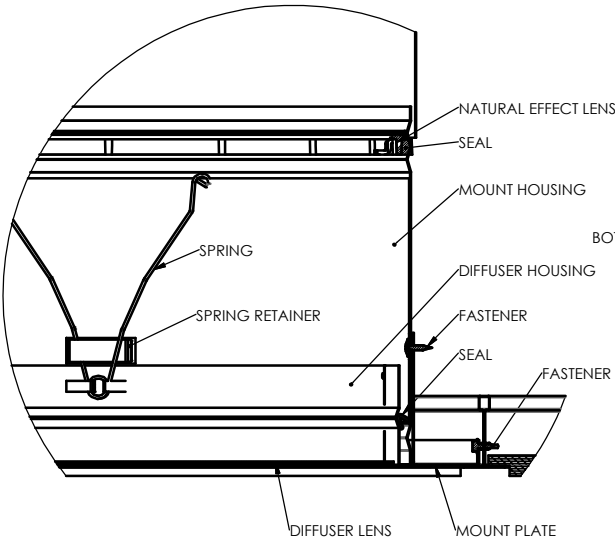


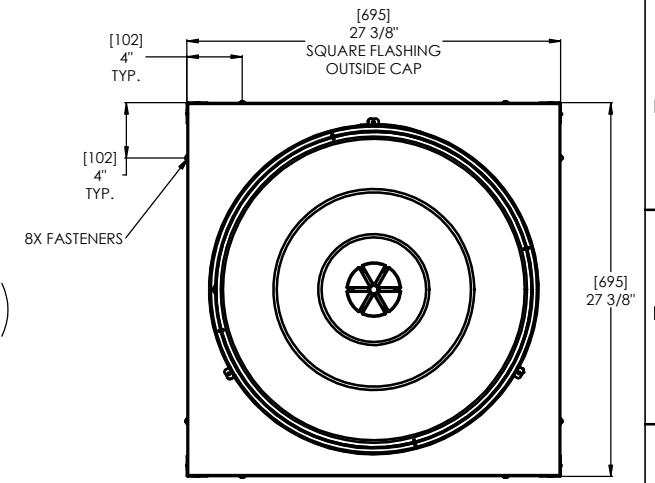
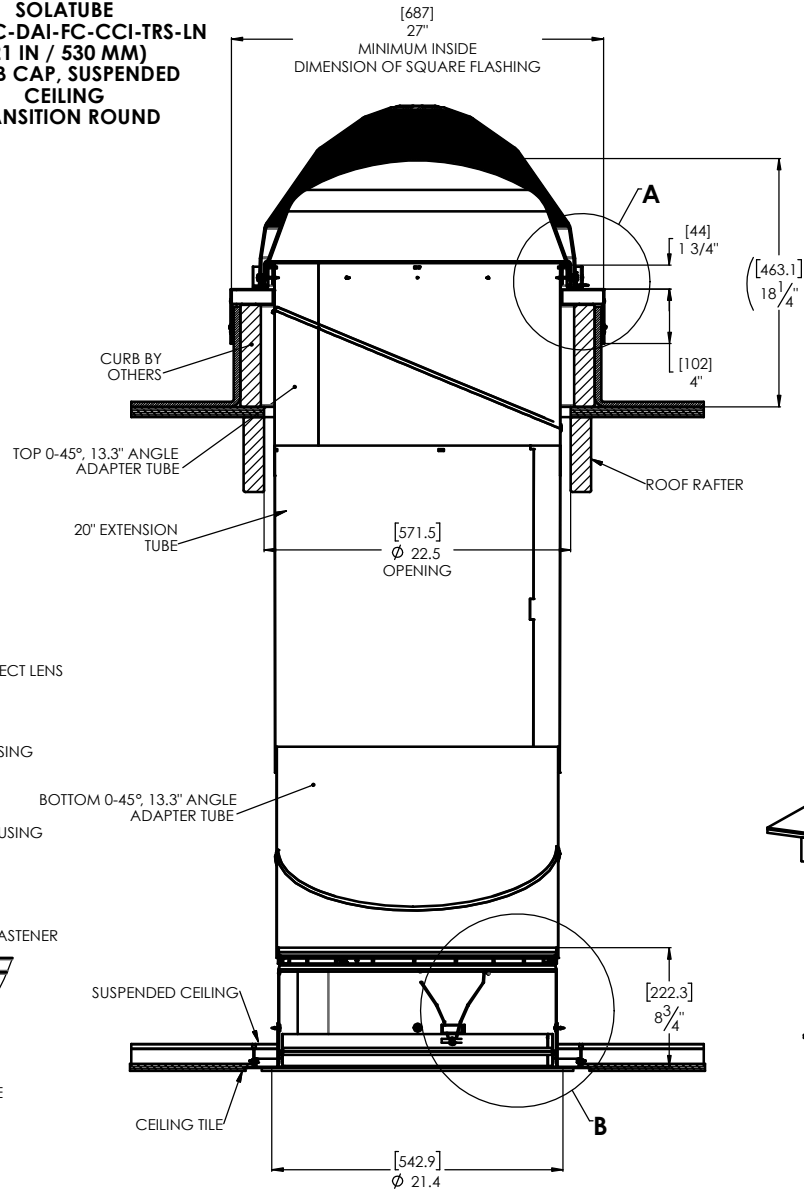
**SOLATUBE
750DS-C-DAI-FC-CCI-TRS-LN
(21 IN / 530 MM)
CURB CAP, SUSPENDED
CEILING
TRANSITION ROUND**



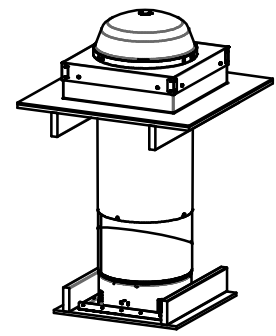
**DETAIL A
SCALE 3 : 1**



**DETAIL B
SCALE 3 : 1**



- NOTES:**
1. STRUCTURAL ELEMENTS (PLYWOOD, RAFTERS, DRYWALL ETC.) BY OTHERS & SHOWN FOR REFERENCE ONLY.
 2. ALL JOINTS & SEAMS TAPED WITH 2" FOIL TAPE (NOT SHOWN).
 3. DIMENSIONS IN BRACKETS ARE METRIC UNLESS OTHERWISE SPECIFIED.
 4. 6" MIN. CLEARANCE SHOULD BE MAINTAINED FROM ALL SOLATUBE COMPONENTS AND OTHER PLENUM COMPONENTS.



UNLESS OTHERWISE SPECIFIED:		SOLATUBE INTERNATIONAL, INC. COPYRIGHT 2022 WWW.SOLATUBE.COM		 2010 DAK ROOPE WAY DUBLIN, CALIFORNIA 94568-1341 PH (925) 977-4400	
DIMENSION TOLERANCE FRACTIONS ± 1/4" INCH X ± .1 XX ± .06		MILLIMETER X ± 2.5 [XX] ± 1.5		TITLE: 750 DS CURB CAP TRANSITION ROUND	
MATERIAL	DRAWN BY STEVENS	DATE 12/14/2022	DWG. NO. 750DS-C-DAI-FC-CCI-TRS-LN		REV 2
FINISH	CHECKED BY	DATE	SCALE: 1:1		
DO NOT SCALE DRAWING		APPROVED BY	DATE		