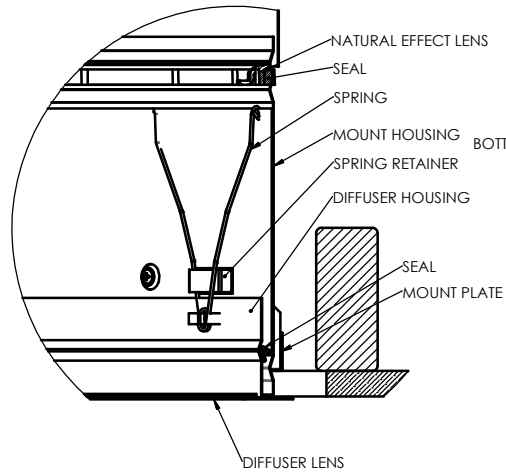
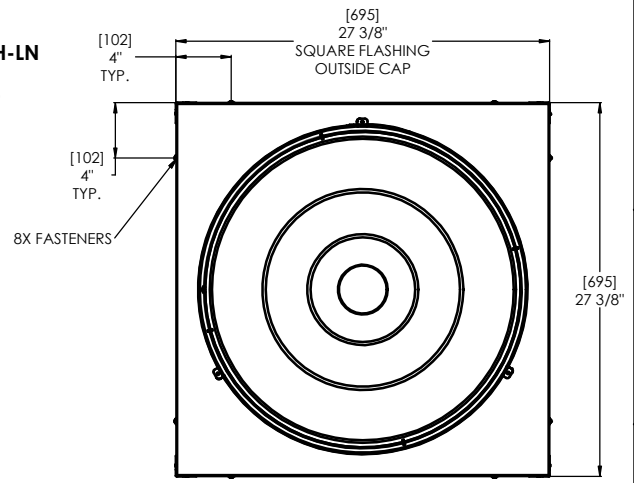
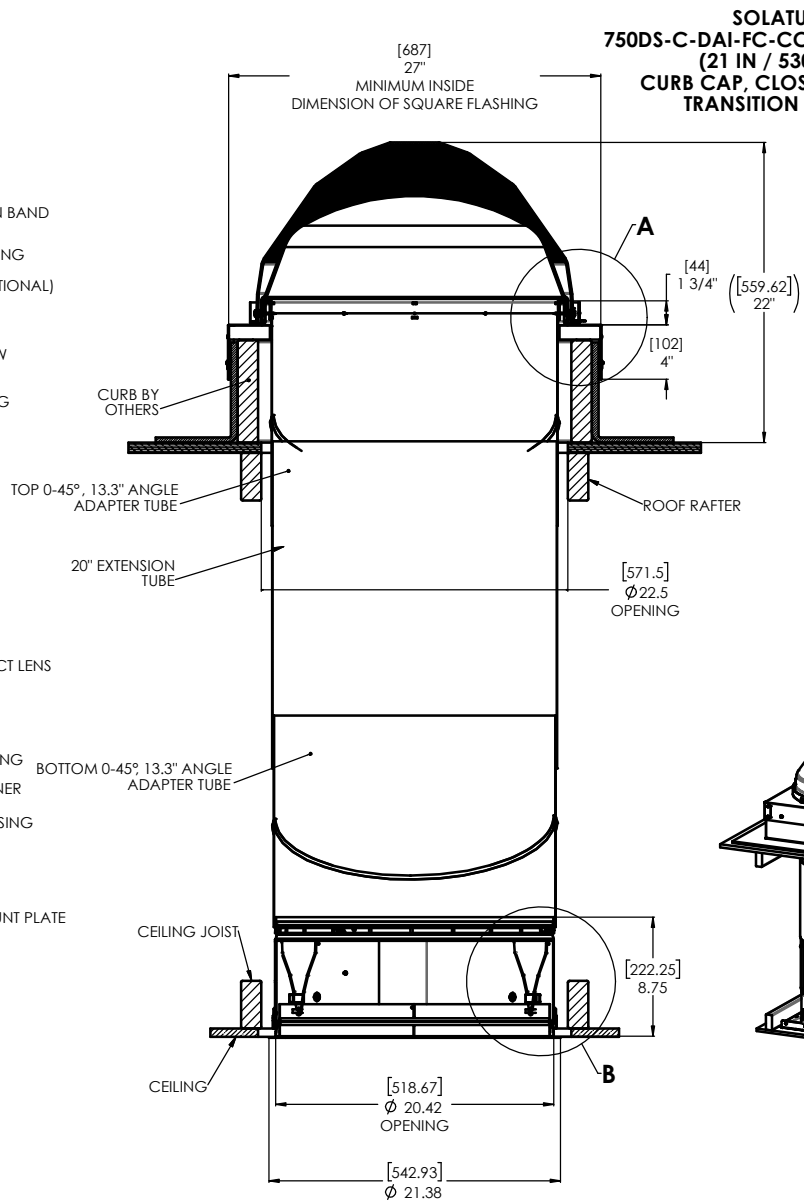


DETAIL A
SCALE 3 : 1

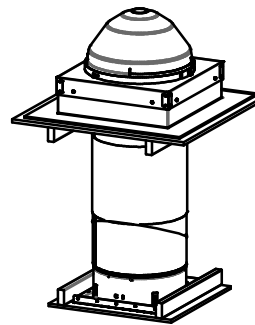


DETAIL B
SCALE 3 : 1



NOTES:

1. STRUCTURAL ELEMENTS (PLYWOOD, RAFTERS, DRYWALL ETC.) BY OTHERS & SHOWN FOR REFERENCE ONLY.
2. ALL JOINTS & SEAMS TAPED WITH 2" FOIL TAPE (NOT SHOWN).
3. DIMENSIONS IN BRACKETS ARE METRIC UNLESS OTHERWISE SPECIFIED.
4. 6" MIN. CLEARANCE SHOULD BE MAINTAINED FROM ALL SOLATUBE COMPONENTS AND OTHER PLENUM COMPONENTS.



| | | | | | |
|--|---------------------|--|------|--|----------|
| UNLESS OTHERWISE SPECIFIED: | | SOLATUBE INTERNATIONAL, INC. COPYRIGHT 2021 WWW.SOLATUBE.COM | | 2015 DAK ROOFE WAY DANA POINT, CALIFORNIA 92601-6341 PH (714) 971-4400 | |
| DIMENSION TOLERANCE FRACTIONS ± 1/4" INCH MILLIMETER X ± 1.0 XX ± .06 | | DATE 5/11/2022 | | TITLE: 330/750 DS CURB CAP TRANSITION ROUND | |
| MATERIAL | DRAWN BY STEVENS | CHECKED BY | DATE | DWG. NO. | REV |
| FINISH | APPROVED BY | DATE | DATE | 750DS-C-DAI-FC-CCI-AK-E1-TRH-LN | 2 |
| DO NOT SCALE DRAWING | | SCALE: 1:1 | | | |