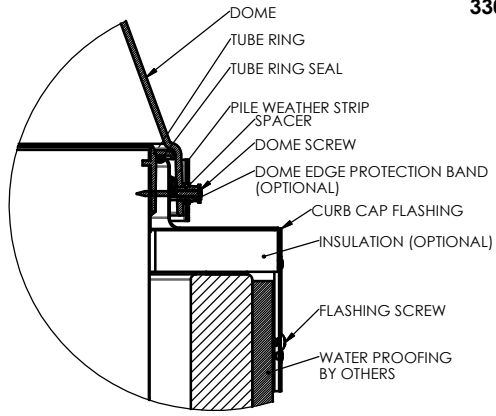
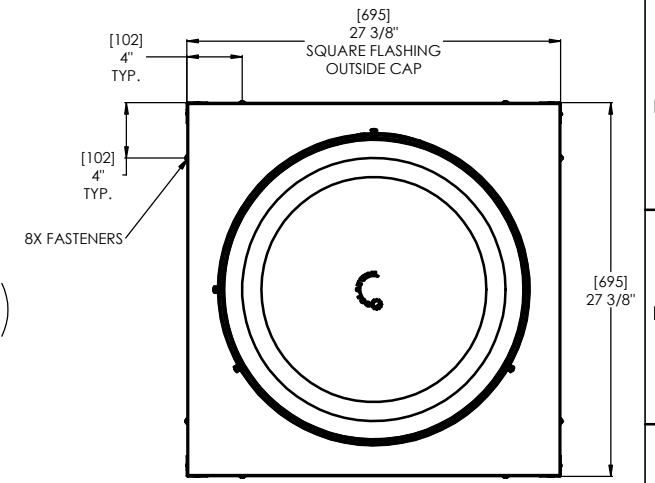
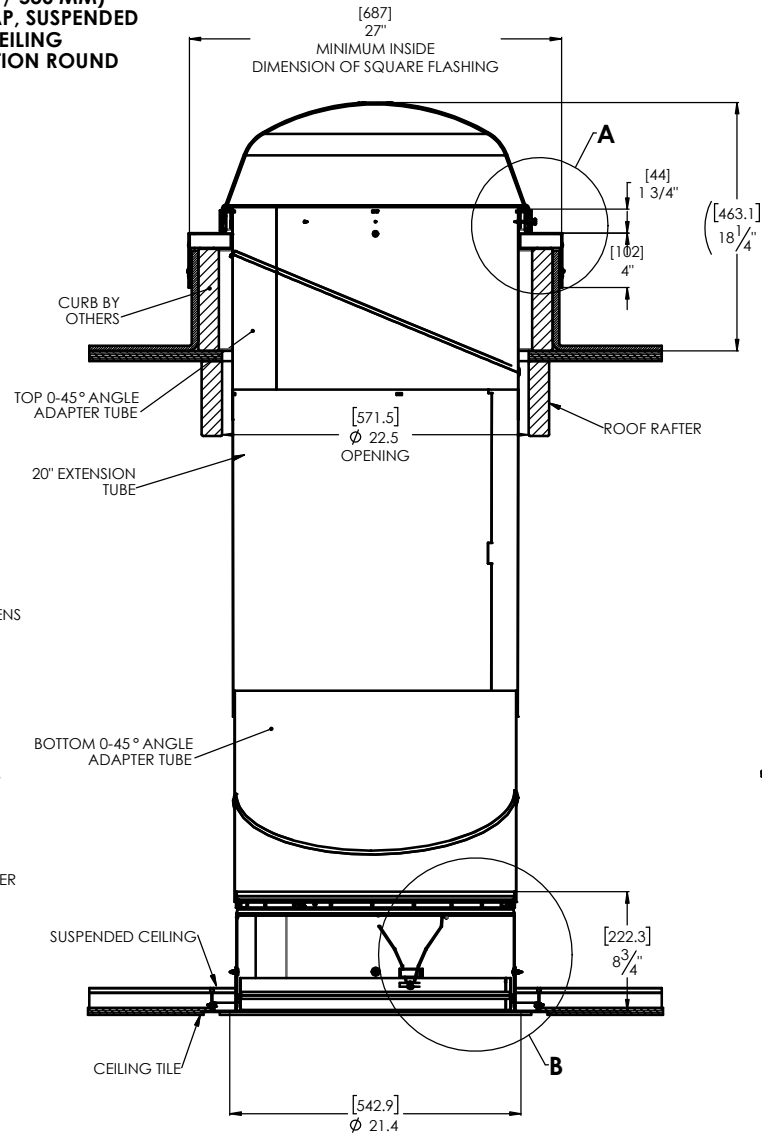


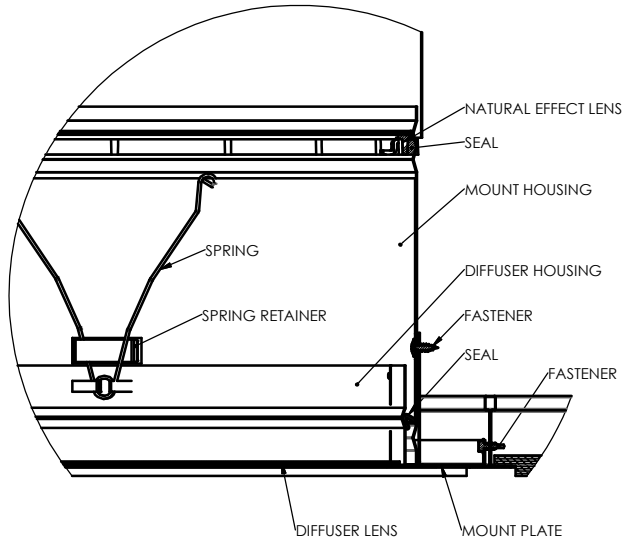
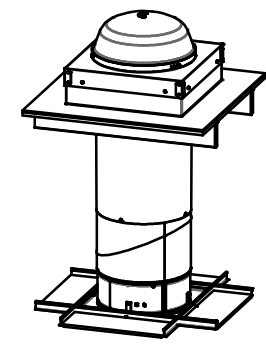
**SOLATUBE
330DS-C-DA-FC-CCI-TRS-LN
(21 IN / 530 MM)
CURB CAP, SUSPENDED
CEILING
TRANSITION ROUND**



**DETAIL A
SCALE 3 : 1**



- NOTES:**
1. STRUCTURAL ELEMENTS (PLYWOOD, RAFTERS, DRYWALL ETC.) BY OTHERS & SHOWN FOR REFERENCE ONLY.
 2. ALL JOINTS & SEAMS TAPED WITH 2" FOIL TAPE (NOT SHOWN).
 3. DIMENSIONS IN BRACKETS ARE METRIC UNLESS OTHERWISE SPECIFIED.
 4. 6" MIN. CLEARANCE SHOULD BE MAINTAINED FROM ALL SOLATUBE COMPONENTS AND OTHER PLENUM COMPONENTS.



**DETAIL B
SCALE 3 : 1**

UNLESS OTHERWISE SPECIFIED:		SOLATUBE INTERNATIONAL, INC. COPYRIGHT 2022 WWW.SOLATUBE.COM		 2215 DAK ROOSE WAY COSTA MESA, CALIFORNIA 92626-5341 PH (714) 977-4400	
DIMENSION TOLERANCE		DRAWN BY		TITLE:	
FRACTIONS ± 1/16"		STEVENS		330 DS CURB CAP	
INCH ± 1/32"		DATE		TRANSITION ROUND	
MILLIMETER ± 0.5		12/14/2022		DWG. NO.	
X ± 1		CHECKED BY		330DS-C-DA-FC-CCI-TRS-LN	
XX ± .06		DATE		REV	
[X] ± 2.5		APPROVED BY		2	
[XX] ± 1.5		DATE		SCALE: 1:1	
DO NOT SCALE DRAWING		-		-	