



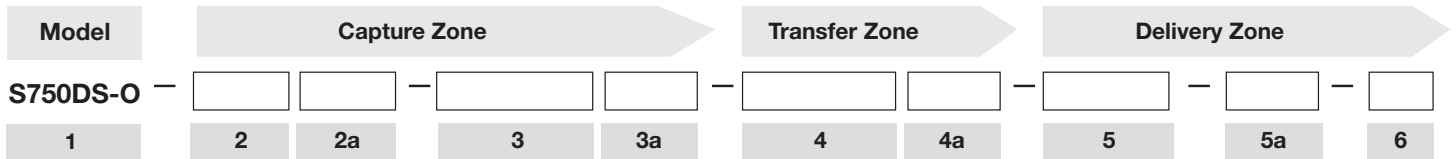
Model: Solatube 750 DS-O Open Ceiling FOR ICC 500/FEMA P 361 COMPLIANCE

Project: _____

Location: _____

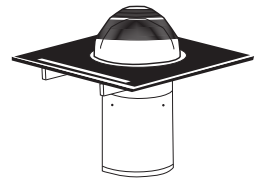
Type: _____

Product Specifications Appear in CSI Division 08, Section 08 62 23. For budgeting and quotations use only. Qty: _____



1 Model

750 DS-O SoloMaster® Solatube 750 DS-O (21 in./530 mm Daylighting System) Open Ceiling



Capture Zone

2 Dome

DPI Acrylic Outer Dome + Polycarbonate Inner Dome (Required for High Velocity Hurricane Zones and ICC 500/FEMA P 361)

2a Dome Options (Leave blank if not desired)

PB Dome Edge Protection Band

SK Dome Security Kit**

**Inner dome required for Dome Security Kit

3 Flashings

FC Curb Cap
(Curb by Others)
(ICC 500/FEMA P 361 compliance)



3a Flashing Options (Leave blank if not desired)

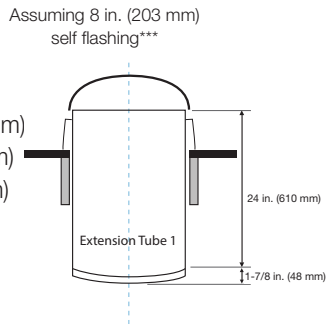
CCI Curb Cap Insulation (Required for ICC 500/FEMA P 361)

Transfer Zone

4 Extension Tubes Required*

Run measured from top of flashing to diffuser along centerline of tubing using 24 in. (610 mm) lengths. See 4a for optional 48 in. (1219 mm) length.

- | | |
|--|--|
| E1** One Extension Tube – Max Run = 24 in. (610 mm) | E7** Seven Extension Tubes – Max Run = 156 in. (3963 mm) |
| E2** Two Extension Tubes – Max Run = 46 in. (1169 mm) | E8** Eight Extension Tubes – Max Run = 178 in. (4522 mm) |
| E3** Three Extension Tubes – Max Run = 68 in. (1728 mm) | E9** Nine Extension Tubes – Max Run = 200 in. (5080 mm) |
| E4** Four Extension Tubes – Max Run = 90 in. (2286 mm) | E10** Ten Extension Tubes – Max Run = 222 in. (5639 mm) |
| E5** Five Extension Tubes – Max Run = 112 in. (2845 mm) | EXX** Total Run Length to be Determined by Bidding Contractor |
| E6** Six Extension Tubes – Max Run = 134 in. (3404 mm) | |



*At least one 24 in. (610 mm) or 48 in. (1219 mm) extension tube required for diffuser
 **Compatible with dome ring to be used as a top tube or extension tube
 ***Total tube run will vary depending on flashing used

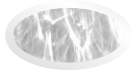
4a Product Options (Leave blank if not desired)

- E** Wire Suspension Kit (50 ft./15m)
(ICC 500/FEMA P 361 compliance)
- EL** Optional 48 in./1219 mm Extension Tube
(Substitute one 48 in./1219 mm for two 24 in./610 mm above)
- TIP** Thermal Insulation Panel

Delivery Zone

5 Diffuser Lens

- L2P** Prismatic Diffuser Polycarbonate
(ICC 500/FEMA P 361 compliance)



5a Options (Leave blank if not desired)

- D1** 0-10V Daylight Dimmer™

6 Measurement Standard

- M** Metric **I** Imperial

Accessories (Order separately)

- S1** Low voltage 0-10V switch (white) required to operate Solatube 0-10V Daylight Dimmers. Only one switch is required per forty-eight (48) synchronously controlled dimmers. (For 'D1' only) Note: For use when no controls have been specified and customer is looking for an off-the-shelf solution. If different controls have been specified please source those from others.
- TR20** UL Listed Class 2 Transformer 24 VAC, Rated 20 VA (For 'D1' only)
- TR96** UL Listed Class 2 Transformer 24 VAC, Rated 96 VA (For 'D1' only)

Example

S750 DS-O-DPI-FC-E2-L2P-M

SolaMaster Series® 750 DS-O (21 in./530 mm Daylighting System), Acrylic Outer Dome + Polycarbonate Inner Dome, Curb Mounted Cap, Two Extension Tubes and Polycarbonate Diffuser. For metric installations.