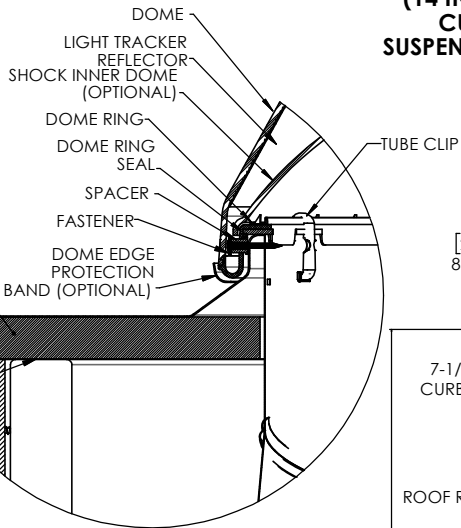
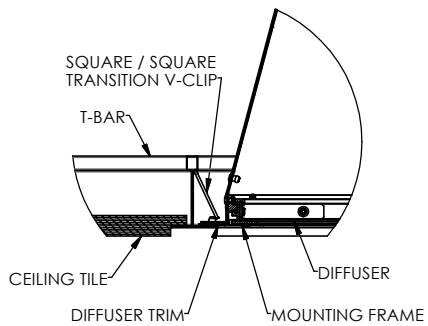


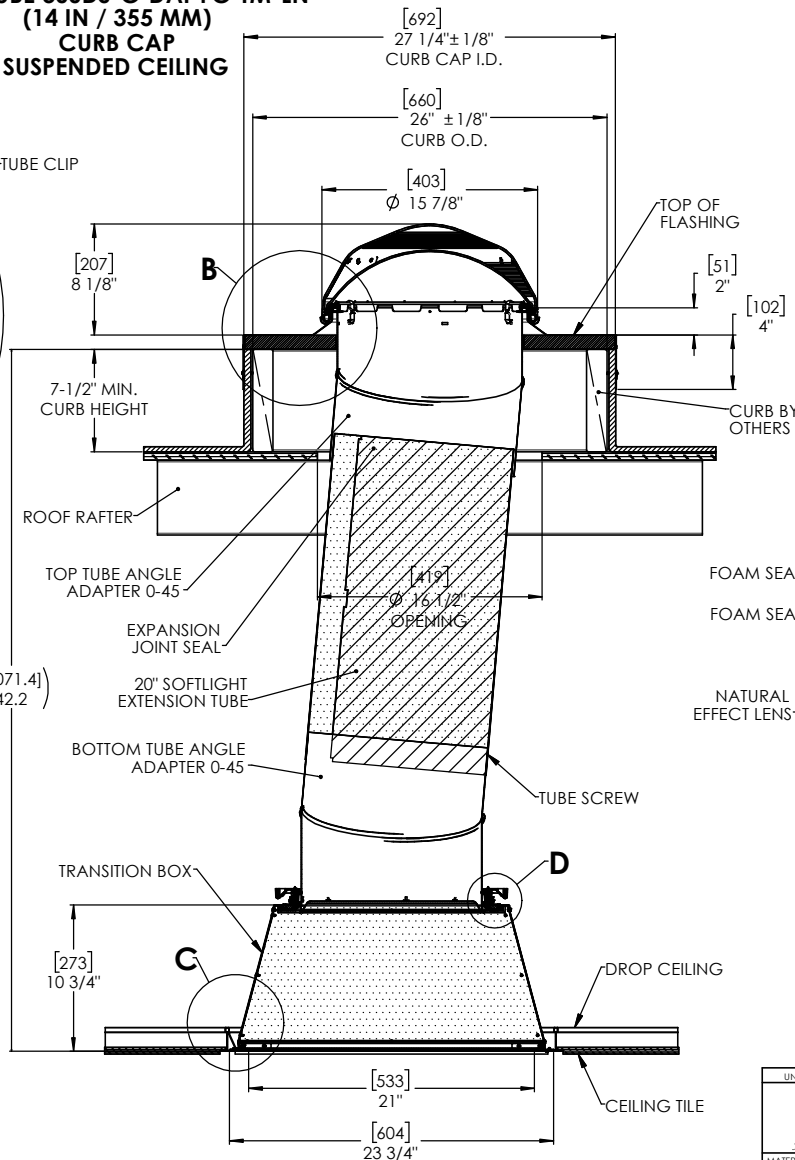
**SOLATUBE 300DS-C-DAI-FC-TM-LN  
(14 IN / 355 MM)  
CURB CAP  
SUSPENDED CEILING**



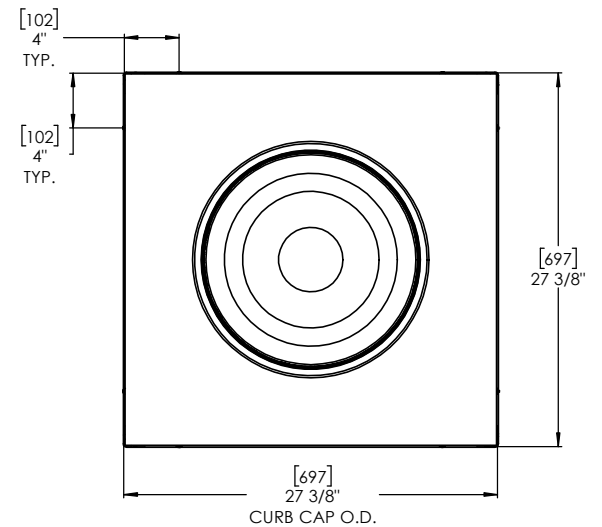
**DETAIL B  
SCALE 3 : 1**



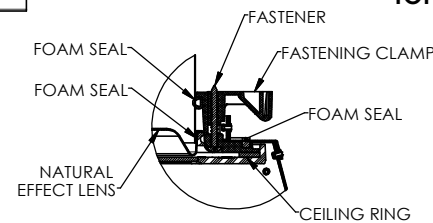
**DETAIL C  
SCALE 3 : 1**



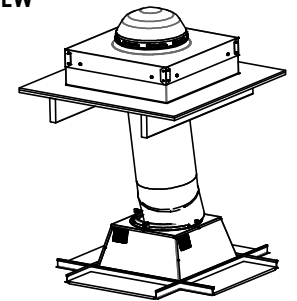
**FULL SECTION  
SCALE 1:1**



**TOP VIEW**



**DETAIL D  
SCALE 3 : 1**



**NOTES:**

1. STRUCTURAL ELEMENTS (PLYWOOD, RAFTERS, DRYWALL ETC.) BY OTHERS & SHOWN FOR REFERENCE ONLY.
2. ALL TUBE JOINTS & SEAMS TAPED WITH 2" FOIL TAPE (NOT SHOWN).
3. DIMENSIONS IN BRACKETS ARE METRIC UNLESS OTHERWISE SPECIFIED.
4. 6" MIN CLEARANCE SHOULD BE MAINTAINED FROM ALL SOLATUBE COMPONENTS AND OTHER PLENUM COMPONENTS.

**△ 5.** 30" MIN HEIGHT NEEDED FOR TRANSITION BOX

UNLESS OTHERWISE SPECIFIED:		SOLATUBE INTERNATIONAL, INC. COPYRIGHT 2017 WWW.SOLATUBE.COM		 2215 OAK RIDGE HWY DUBLIN, CALIF 94568 302814341 PH (925) 591-4400	
DIMENSION TOLERANCE	FRACTIONS ± 1/4"	DRAWN BY	DATE	TITLE:	
INCH	MILLIMETER	STEVENS	3/17/17	<b>300 DS CURB CAP SUSPENDED CEILING</b>	
XX ± .06	XX ± 0.15	CHECKED BY	DATE	SIZE	DWG. NO.
		APPROVED BY	DATE	<b>D</b>	<b>300DS-C-DAI-FC-TM-LN</b>
DO NOT SCALE DRAWING				SCALE: 1:1	REV <b>2</b>
					SHEET 1 OF 1