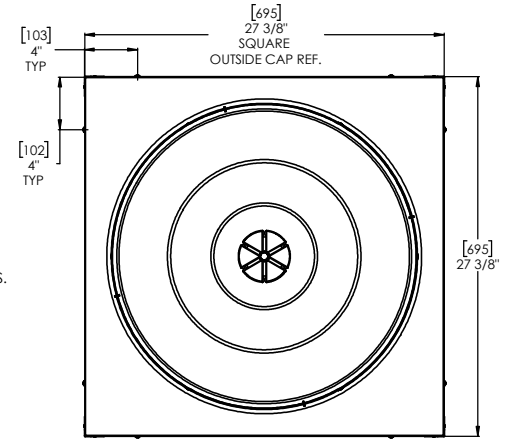


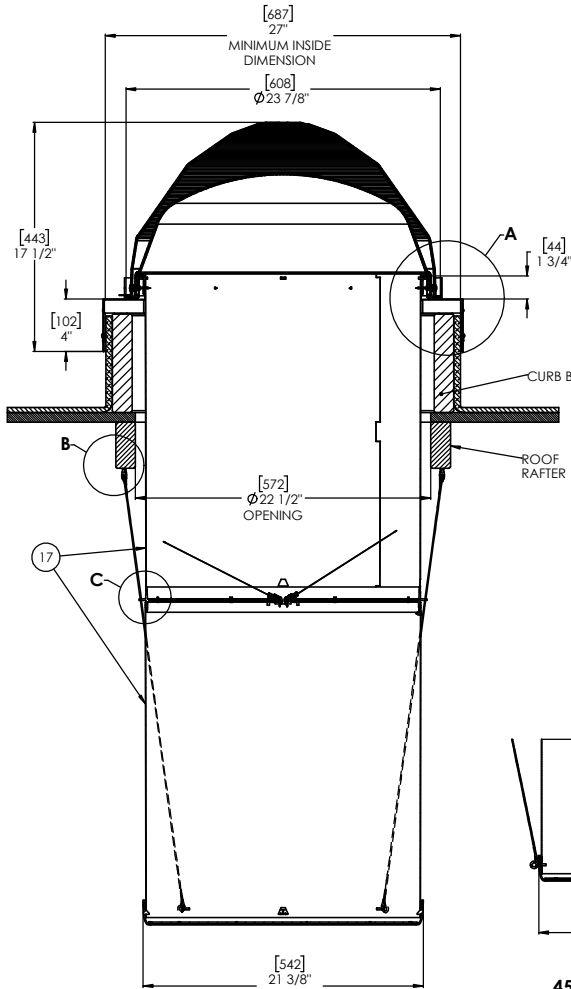
**SOLATUBE  
S750DS-O-DPI-FC CCI-EXX E-L2P-DD  
(21 IN / 530 MM)  
CURB CAP, OPEN CEILING**

**NOTES:**

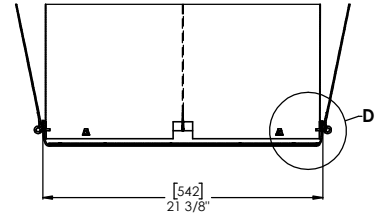
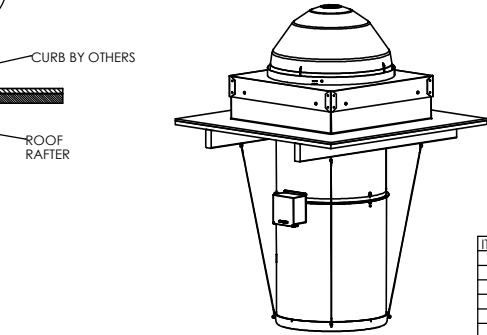
1. STRUCTURAL ELEMENTS (PLYWOOD, RAFTERS, DRYWALL ETC.) BY OTHERS & SHOWN FOR REFERENCE ONLY.
2. ALL TUBE JOINTS & SEAMS TAPED WITH 2" FOIL TAPE (NOT SHOWN).
3. DIMENSIONS IN BRACKETS ARE METRIC UNLESS OTHERWISE SPECIFIED.
4. 6" MIN. CLEARANCE SHOULD BE MAINTAINED FROM ALL SOLATUBE COMPONENTS AND OTHER PLENUM COMPONENTS.
5. WIRE SUSPENSION REQUIRED TO MEET ICC 500/FEMA P361 COMPLIANCE.



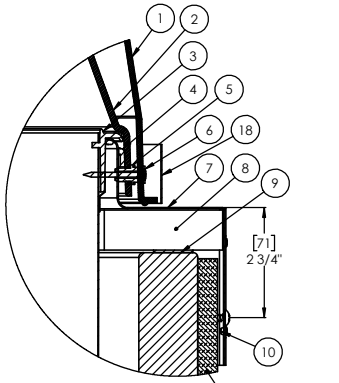
**TOP VIEW  
SCALE 1:1**



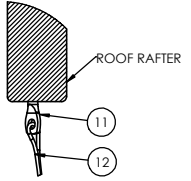
**FULL SECTION  
SCALE 1:1**



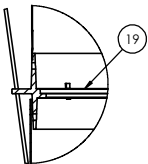
**45° ROTATION ABOUT CENTER  
SECTION VIEW**



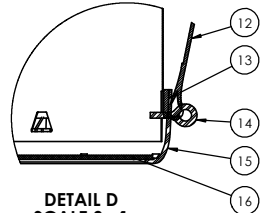
**DETAIL A  
SCALE 3:1**



**DETAIL B  
SCALE 3:1**



**DETAIL C  
SCALE 3:1**



**DETAIL D  
SCALE 3:1**

ITEM NO.	QTY.	PART NO.	DESCRIPTION	NOTES
1	1	401930	PRISMATIC DOME 750DS	ACRYLIC
2	1	511200	INNER DOME 330DS	POLYCARBONATE
3	1	400785	INNER DOME RING	
4	1	600280	PILE WEATHER STRIP	
5	6	700870	SPACER	
6	6	700860	SCREW #8X 1.5" SMS	
7	1	230640	FLASHING CURB CAP	
8	1	500970	CURB CAP INSULATION	
9	1	700280	SEALANT URETHANE	AS REQUIRED
10	8	700480	SCREW #10 X 2" SMS	
11	4	400410	SCREW HANGER 3"	
12	2	400400	SUSPENSION WIRE	12 GAUGE, 25' EACH
13	1	600250	OC DIFFUSER SEAL 21"	
14	1	520080	EYEBOLT W/NUT AND WASHER	
15	1	410135	DRESS RING	POLYCARBONATE
16	1	410087	PRISMATIC DIFFUSER	POLYCARBONATE
17	2	301770	TUBE 24" EXTENSION	QTY. PROVIDED AS REQ'D
18	1	400476	DOME EDGE PROTECTION BAND	
OPTIONAL COMPONENTS				
ITEM NO.	QTY.	PART NO.	DESCRIPTION	NOTES
19	1	570170	21" DAYLIGHT DIMMER	

UNLESS OTHERWISE SPECIFIED:		<b>SOLATUBE INTERNATIONAL INC.</b> CCI FIGHT 2022 WWW.SOLATUBE.COM		 2250 GINA RESIDE WAY WESTLA, CALIFORNIA 92081-8241 PH (760) 597-4400	
DIMENSION TOLERANCE FRACTIONS ± 1/4" INCH ± .015 MILLIMETER ± .15 XX ± .05					
MATERIAL		DRAWN BY	DATE	<b>TITLE:</b> 750 DS (21") CURB FLASHING, OPEN CEILING PC DIFFUSER W/SUSPENSION WIRE	
FINISH		CHECKED BY	DATE		
DO NOT SCALE DRAWING		APPROVED BY	DATE		
		SCALE: 1:1		SIZE: <b>D</b>	DWG. NO.: 750DS-O-DPI-FC-CCI-E-L2P-DD
				REV: <b>1</b>	SHEET 1 OF 1