



**BUILDING CODE COMPLIANCE OFFICE (BCCO)
PRODUCT CONTROL DIVISION**

**MIAMI-DADE COUNTY, FLORIDA
METRO-DADE FLAGLER BUILDING
140 WEST FLAGLER STREET, SUITE 1603
MIAMI, FLORIDA 33130-1563
(305) 375-2901 FAX (305) 375-2908**

NOTICE OF ACCEPTANCE (NOA)

**Solatube International Inc.
2210 Oak ridge Way.
Vista, CA 92081**

SCOPE: This NOA is being issued under the applicable rules and regulations governing the use of construction materials. The documentation submitted has been reviewed by Miami-Dade County Product Control Division and accepted by the Board of Rules and Appeals (BORA) to be used in Miami Dade County and other areas where allowed by the Authority Having Jurisdiction (AHJ).

This NOA shall not be valid after the expiration date stated below. The Miami-Dade County Product Control Division (In Miami Dade County) and/or the AHJ (in areas other than Miami Dade County) reserve the right to have this product or material tested for quality assurance purposes. If this product or material fails to perform in the accepted manner, the manufacturer will incur the expense of such testing and the AHJ may immediately revoke, modify, or suspend the use of such product or material within their jurisdiction. BORA reserves the right to revoke this acceptance, if it is determined by Miami-Dade County Product Control Division that this product or material fails to meet the requirements of the applicable building code.

This product is approved as described herein, and has been designed to comply with the Florida Building Code including the High Velocity Hurricane Zone.

DESCRIPTION: Dome Skylights

APPROVAL DOCUMENT: Drawing # W04-65, titled " Dome Skylights", sheets No 1 through 10 of 10, prepared by Al-Farooq Corporation dated 07/16/04 with last revision on 12/03/04 bearing the Miami-Dade County Product Control Revision stamp with the Notice of Acceptance number and expiration date by the Miami-Dade County Product Control Division.

MISSILE IMPACT RATING: Large & Small Missile Impact

LABELING: Each unit shall bear a permanent label with the manufacturer's name or logo, city, state and the following statement: "Miami-Dade County Product Control Approved", unless otherwise noted herein and the dome shall be properly marked by the manufacturers of Implex Acrylic, Atofina Chemical, Inc.

RENEWAL of this NOA shall not be considered after a renewal application has been filed and there has been no change in the applicable building code negatively affecting the performance of this product.

TERMINATION of this NOA will occur after the expiration date or if there has been a revision or change in the materials, use, and/or manufacture of the product or process. Misuse of this NOA as an endorsement of any product, for sales, advertising or any other purposes shall automatically terminate this NOA. Failure to comply with any section of this NOA shall be cause for termination and removal of NOA.

ADVERTISEMENT: The NOA number preceded by the words Miami-Dade County, Florida, and followed by the expiration date may be displayed in advertising literature. If any portion of the NOA is displayed, then it shall be done in its entirety.

INSPECTION: A copy of this entire NOA shall be provided to the user by the manufacturer or its distributors and shall be available for inspection at the job site at the request of the Building Official.

This NOA revises NOA # 03-0812.04 it consists of this page, evidence page and approval document mentioned above

The submitted documentation was reviewed by **Candido F. Font, P.E.**

Candido F. Font
01/20/05



**NOA No. 03-1016.01
Expiration Date: November 13, 2009
Approval Date: January 20, 2005
Page 1**

NOTICE OF ACCEPTANCE: EVIDENCE PAGE

A. DRAWINGS

1. Drawing prepared by Al-Farooq Corporation, titled "Dome Skylights", drawing number W04-65, dated 07/16/04, with last revision on 12/03/04, sheet 1 through 10 of 10, signed and sealed by H. Farooq., PE.

B. TEST REPORTS

1. Test report on Large Missile Impact Test per TAS 201, Cyclic Wind Pressure Test per TAS 203 and Uniform Static Air Pressure Test per TAS 202 on "21" SolaMaster Series Tubular Daylight Devices (TDD)", test # 47476.01-301-18 prepared by Architectural Testing on dated 08/19/04, revised on 12/08/04, signed and sealed by J. A. Reed, PE.
2. Test report on Large Missile Impact Test per TAS 201, Cyclic Wind Pressure Test per TAS 203 and Uniform Static Air Pressure Test per TAs 202 on 14" Brighten Up Series tubulat Daylight Device (TDD) test # 50356.01-301-18, prepared by Architectural Testing, date on 08/09/04, revised on 12/08/04, signed andsealed by J. A. Reed PE.

C. CALCULATIONS

1. Anchor calculations, dated 09/27/04, pages C1 through C10, prepared by Al-Farooq Corporation, signed and sealed by H. Farooq, PE.

D. STATEMENTS

1. Letter of Test compliance issued by Al-Farooq Corporation, on 08/31/04, signed and sealed by H. Farooq, PE.
2. Letter of No-financial interest issued by Al-Farooq Corporation, dated 08/31/04, signed and sealed by H. Farooq, PE.
3. Test Compliance letter issued by Architectural Testing, on 08/20/04, signed and sealed by J. A. Reed. PE.
4. Test compliance letter issued by Architectural Testing on 08/11/04 and signed and sealed by J. A. Reed, PE.



01/20/05

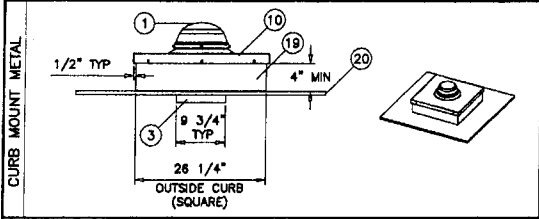
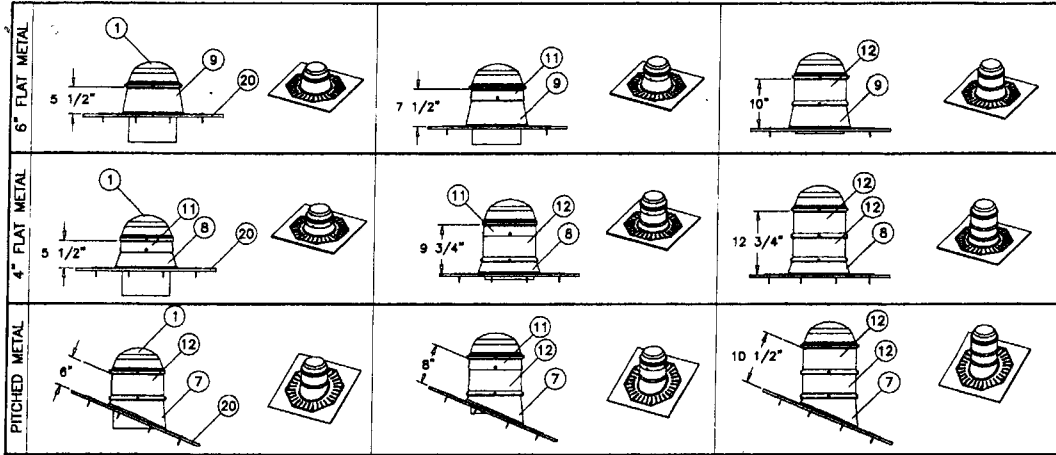
Candido F. Font, P. E.

Senior Product Control Examiner

NOA No. 03-1016.01

Expiration Date: November 13, 2009

Approval Date: January 20, 2005



MAXIMUM DESIGN LOAD RATING = + 110.0 PSF
 - 110.0 PSF

DOMES SKYLIGHTS GENERAL NOTES

- SKYLIGHTS RATED FOR LARGE MISSILE IMPACT AND REQUIRE NO SHUTTERS.
- THIS PRODUCT HAS BEEN DESIGNED AND TESTED TO COMPLY WITH THE REQUIREMENTS OF THE FLORIDA BUILDING CODE INCLUDING HIGH VELOCITY HURRICANE ZONE.
- ROOF DECK BY OTHERS, ALL ROOF DETAILS SHALL COMPLY WITH CHAPTER 15 OF THE FLORIDA BLDG. CODE.
- ANCHORS TO BE MADE OF NON-CORROSIVE MATERIAL, COMPATIBLE WITH ALUMINUM.
- ANCHORING OR LOADING CONDITIONS NOT SHOWN IN THESE DETAILS ARE NOT PART OF THIS APPROVAL.
- A 33% INCREASE IN ALLOWABLE STRESS WAS USED IN DESIGN OF ANCHORS. DISTANCE FROM SCREW TO EDGE OF WOOD/PLYWOOD TO BE 1 IN. MIN.
- SKYLIGHTS SHALL BE INSTALLED AS PER MANUF'S INSTALLATION INSTRUCTIONS.
- SKYLIGHTS SHALL BE INSTALLED TO PROVIDE 4" MIN. CLEARANCE ABOVE FINISH ROOF SURFACE WITHOUT INSULATION. FOR INSULATION AND TILE ROOF ADD TILE HEIGHT AND INSULATION THICKNESS TO 4" MIN. HEIGHT.
- SECTION UNDER ROOF RAFTER IS SHOWN FOR ILLUSTRATION PURPOSES ONLY NOT PART OF THIS APPROVAL.
- POLYURETHANE SEALANT MUST BE APPLIED TO ALL FLASHING AND TURRET SCREW HEADS.

ITEM	PART NUMBER	DESCRIPTION	MATERIAL
1	501765	DOMES (glazing)	1/8" POLYCARBONATE GE LEXAN XL-10 (NOA #03-0924.01) OR ATOFINA TUFFAK XL (NOA #00-1220.03)
2	400890	DOMES RING 10"	PVC CLASS: CCI (ASTM D835), IGNITION TEMP: 438 C (ASTM D1929), SMOKE DENSITY: 72.8% (ASTM D2843)
3	300650	TUBE TOP 10"	ALUMINUM TUBE (0.015") THICK, REFLECTIVE INTERIOR FINISH
4	820010	DOMES SEAL 10"	.270 x .310 PILE WEATHERSTRIP , PSA BACKED
5	700250	SCREW - DOMES	#8 X 3/4" SMS,TRUSS HD, PHIL, STEEL DACRO COAT OR STEEL AL-2000 PTFE COAT OR STAINLESS
6	720160	GROMMET - DOMES SCREW	EPDM DENSE RUBBER
7	200640	FLASHING 10" PITCH	STEEL-ALUMINIZED COATED OR GALVANIZED COATED 22 GA (0.028")
8	200591	FLASHING 10" X 4" HIGH	STEEL-ALUMINIZED COATED OR GALVANIZED COATED 22 GA (0.028")
9	230485	FLASHING 10" X 6" HIGH	STEEL-ALUMINIZED COATED OR GALVANIZED COATED 22 GA (0.028")
10	230620	FLASHING 10" CURB MOUNT	STEEL-ALUMINIZED COATED OR GALVANIZED COATED 22 GA (0.028")
11	230450	FLASHING 10/2 TURRET EXTENSION	STEEL-ALUMINIZED COATED OR GALVANIZED COATED 22 GA (0.028")
12	230460	FLASHING 10/4 TURRET EXTENSION	STEEL-ALUMINIZED COATED OR GALVANIZED COATED 22 GA (0.028")
13	SEALANT 10	SEALANT ROOFING-GUNNABLE	P.N. 700070 - FLEXIBLE SEAL OR P.N. 700280 - GEOCEL 3300
14	700480	SCREW - FLASHING	#10 X 2" SMS: TRUSS HD, PHILL,STEEL DACRO COAT, OR STEEL AL-2000 PTFE COAT , OR STAINLESS
15	503430	SCREW - TUBE	#8 X 3/8" SMS,FLAT HD,PHILLIPS,ZINC COATED
16	720015	SCREW - TURRET EXTENSION	#8 X 1/2" SMS: PAN HD PHILLIPS, STEEL ZINC, DACROTIZE, OR AL-2000 P.T.F.E COATED, OR S. STEEL
17	720025	SCREW: TURRET EXTENSION	#8 X 1/4" SMS: PAN HD, PHILLIPS, STEEL ZINC DACROTIZE, OR AL-2000 P.T.F.E COATED, OR S. STEEL
18	601020	TAPE	WHITE POLYMER 1" WIDE WITH PSA ADHESIVE
19	CURB	FABRICATED BY OTHERS	MIN 2" X 6" SYP WOOD NAILED TO PLYWOOD W/ 8d AT 6" O.C.
20	SHEATHING F	FABRICATED BY OTHERS	MIN 5/8" THICK CDX PLYWOOD SUPPORTED AT 24" MAX O.C.
21	420090	DIFFUSER 10" SECONDARY	ACRYLIC P-12 OPTIX ACRYLIC PLASTIC SHEET (0.100") THICK, CC2, NOA #04-0426.03
22	320150	LTD 10"	ALUMINUM (0.015") THICK, REFLECTIVE INTERIOR FINISH

10" SOLATUBE

Engr. DR. HILMAYOUN FAROOQ
 STRUCTURES
 FLA. PE # 18557
 C.A.N. 3538

PRODUCT REVISED
 as complying with the Florida
 Building Code
 Acceptance No. 03-1016.0
 Expiration Date 11/13/09

DEC 15 2004

AL-FAROOQ CORPORATION
 ENGINEERS, PLANNERS & PRODUCT DESIGN
 1235 SW 87 AVE
 MIAMI, FLORIDA 33174
 TEL. (305) 264-8100 FAX. (305) 262-6978

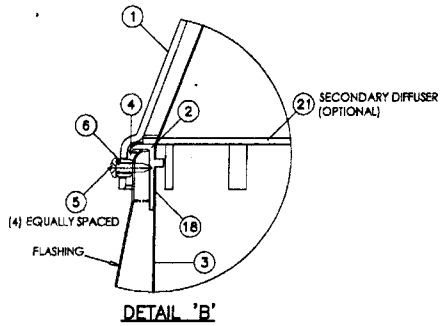
SOLATUBE INTERNATIONAL INC.
 2210 OAK RIDGE WAY
 VISTA, CA. 92081 - 8341
 TEL. (760) 587-4400 FAX. (760) 599-3099

NO.	DATE	BY	DESCRIPTION
A	12.03.04		REV. PER RCOO COMMENTS

date: 07-16-04
 scale: 1/2" = 1"
 dr. by: HAWID
 chk. by:

drawing no.
W04-65
 sheet 1 of 10

COMP-ANL W04-6558

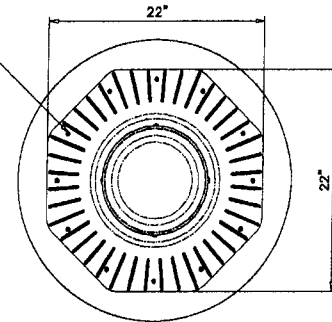


DETAIL 'B'

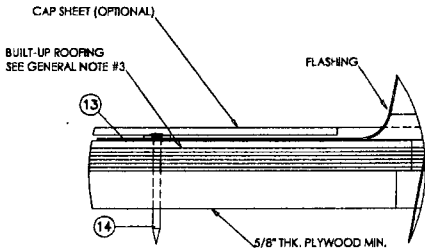
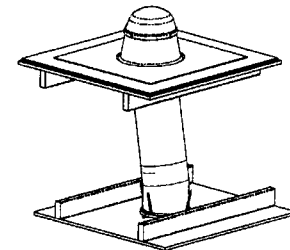
SEE CHARTS BELOW FOR QUANTITIES
#10 X 2" SMS

LOADS UPTO 92 PSF			O.C. DIST.	
FLASHING STYLE	SCREW	QUANTITY	MIN.	MAX.
6 INCHES	700480	8	7 IN.	9-3/16 IN.
4 INCHES	700480	8	7 IN.	9-3/16 IN.
PITCHED	700480	8	7 IN.	9-3/16 IN.
CURB	700480	8	4 IN.	10 IN.

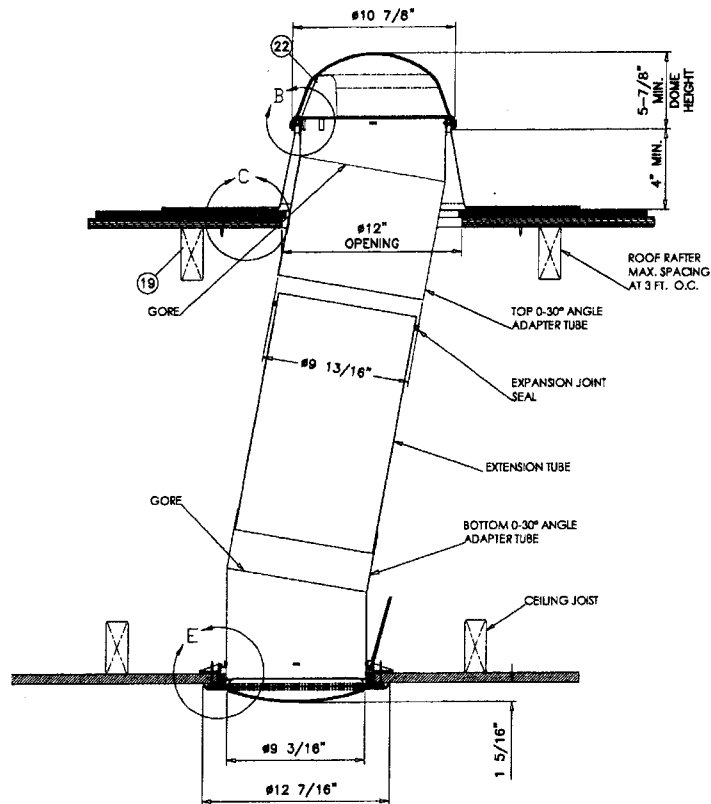
LOADS UPTO 110 PSF			O.C. DIST.	
FLASHING STYLE	SCREW	QUANTITY	MIN.	MAX.
6 INCHES	700480	12	3-1/2 IN.	9-3/16 IN.
4 INCHES	700480	12	3-1/2 IN.	9-3/16 IN.
PITCHED	700480	12	3-1/2 IN.	9-3/16 IN.
CURB	700480	12	4 IN.	10 IN.



TOP VIEW
1/2" = 1'-0"

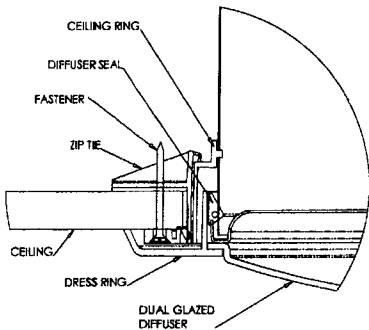


DETAIL 'C'



FULL SECTION
1/8" = 1"

10" SOLATUBE
FLAT ROOF INSTALLATION



DETAIL 'E'

SECTION UNDER ROOF RAFTER IS SHOWN FOR ILLUSTRATION PURPOSES ONLY, NOT PART OF THIS APPROVAL.

SKYLIGHT SHOWN WITH FIXED CEILING. INSTALLATIONS AT SUSPENDED CEILING AND OPEN CEILING ARE OPTIONAL.

Engr. DR. HUSAYOUN FAROOQ
STRUCTURES
FLA. PE # 16887
CAN. 3536

DEC 15 2004

PRODUCT REVISED
Re-comparing with the Florida Building Code
Acceptance No. 03-1016.01
Expiration Date 11/15/09
By: *[Signature]*
Miami Dade Product Control Division

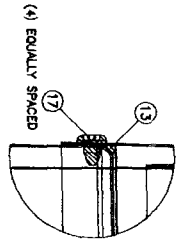
afc
AL-FAROOQ CORPORATION
ENGINEERS, PLANNERS & PRODUCT DESIGN
1235 SW 87 AVE
MIAMI, FLORIDA 33174
TEL. (305) 284-8100 FAX. (305) 282-6878
COMP-ANL W04-655II

DOMES SKYLIGHTS
SOLATUBE INTERNATIONAL INC.
2210 OAK RIDGE WAY
VISTA, CA. 92081-8341
TEL. (760) 597-4400 FAX. (760) 599-3099

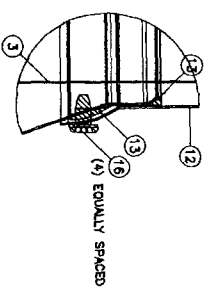
NO.	DATE	BY	DESCRIPTION
A	12.03.04		REV. PER BCCD COMMENTS

date:	07-16-04
scale:	1/2" = 1"
dr. by:	HAMID
chk. by:	

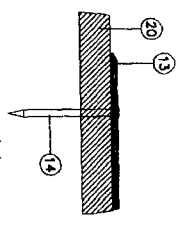
drawing no.
W04-65
sheet 2 of 10



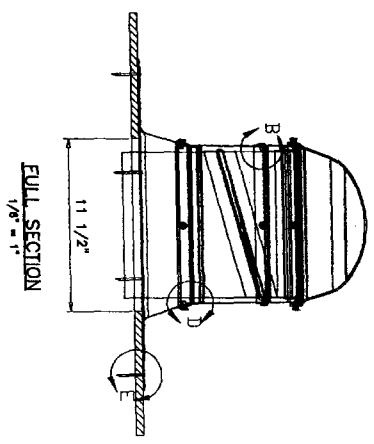
DETAIL 'B'
CONNECTION TURRET TO TURRET



DETAIL 'D'
CONNECTION TURRET TO FLASHING



DETAIL 'E'
CONNECTION FLASHING TO DECK



FULL SECTION
1/8" = 1"

10" SOLATUBE
FLAT ROOF INSTALLATION

ENGR. DR. FAHREHOUT FAROOQ
P.L.C. # 118457
C.A.N. 5438

DEC 1 6 2004

PRODUCT REVISED
in compliance with the Florida
Building Code
Expiration Date 11/15/07

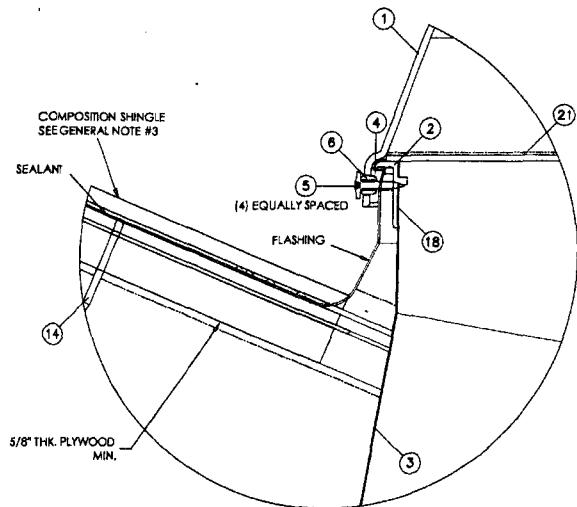
drawing no. W04-65
sheet 3 of 10

revisions:			
no.	date	by	description
A	12.03.04		REV. PER BCCD COMMENTS

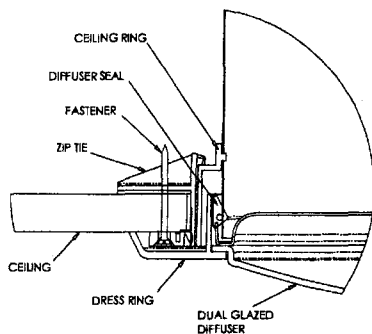
DOME SKYLIGHTS
SOLATUBE INTERNATIONAL INC.
2210 OAK RIDGE WAY
VISTA, CA. 92081-8341
TEL. (760) 597-4400 FAX. (760) 599-3099

AL-FAROOQ CORPORATION
ENGINEERS, PLANNERS & PRODUCT DESIGN
1235 SW 87 AVE
MIAMI, FLORIDA 33174
TEL. (305) 264-8100 FAX. (305) 262-6978
COMP-ANL\W04-65SH



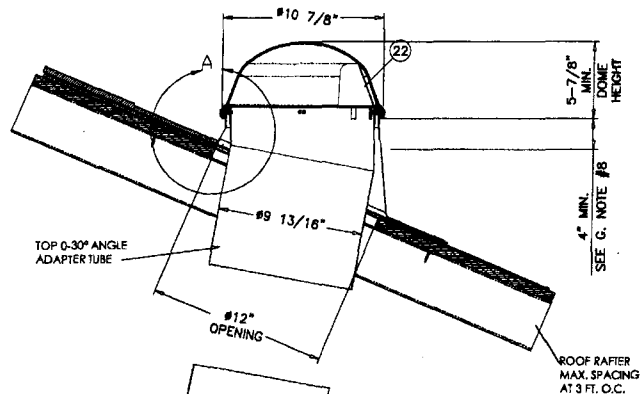


DETAIL 'A'



DETAIL 'B'

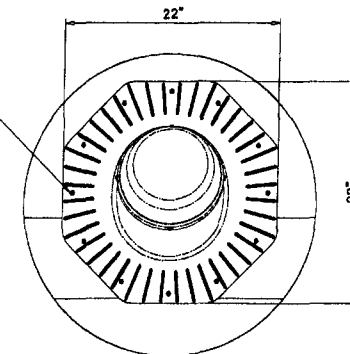
SECTION UNDER ROOF RAFTER IS SHOWN FOR ILLUSTRATION PURPOSES ONLY, NOT PART OF THIS APPROVAL.



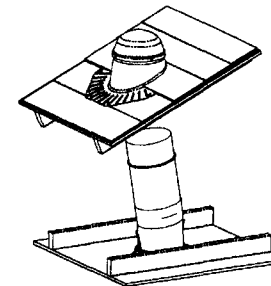
FULL SECTION
1/8" = 1"

SKYLIGHT SHOWN WITH FIXED CEILING. INSTALLATIONS AT SUSPENDED CEILING AND OPEN CEILING ARE OPTIONAL.

#10 X 2" SMS
SEE SHEET 2 FOR QUANTITIES



TOP VIEW
1/2" = 1'-0"



10" SOLATUBE
PITCHED ROOF INSTALLATION

Engr: DR. HUMAYOON FAROOQ
STRUCTURES
FLA. PE # 18557
C.A.N. 3538

DEC 1 5 2004

PRODUCT REVISED
as complying with the Florida
Building Code
Acceptance No. 03-1016-01
Expiration Date 11/18/09

By: [Signature]
Miami Dade Product Control
Division

REV. NO.	DATE	DESCRIPTION
A	12.03.04	REV. PER BCCO COMMENTS

order: 07-16-04	scale: 1/2" = 1'
date: 12/03/04	dr. by: HAMID
	chk. by:

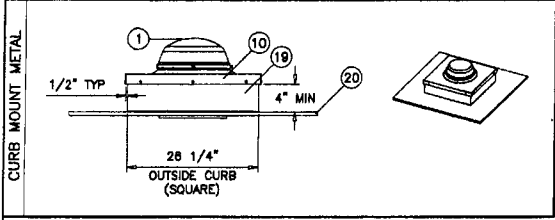
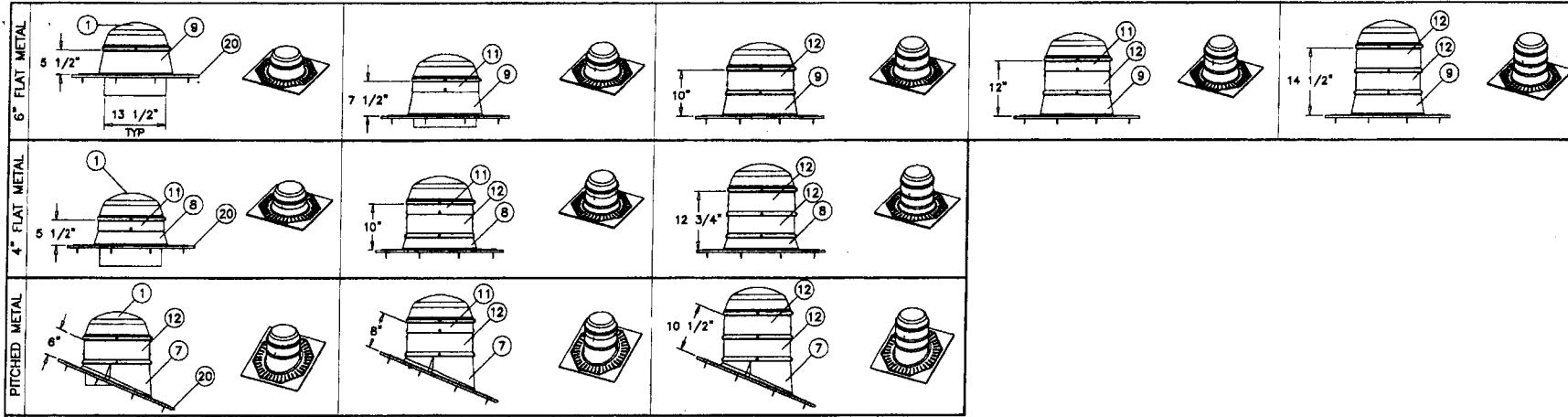
drawing no.
W04-65

sheet 4 of 10

AL-FAROOQ CORPORATION
ENGINEERS, PLANNERS & PRODUCT DESIGN
1235 SW 87 AVE
MIAMI, FLORIDA 33174
TEL. (305) 284-8100 FAX. (305) 282-8878

SOLATUBE INTERNATIONAL INC.
2210 OAK RIDGE WAY
VISTA, CA. 92081-8341
TEL. (760) 597-4400 FAX. (760) 599-3099

COMP-ANL W04-65S1



MAXIMUM DESIGN LOAD RATING = + 110.0 PSF
- 110.0 PSF

ITEM NO.	PART NUMBER	DESCRIPTION	MATERIAL
1	501410	14" DOME (GLAZING)	1/8" POLYCARBONATE GE LEXAN XL-10 (NOA #03-0924.01) OR ATOFINA TUFFAK XL (NOA #00-1220.03)
2	420730	DOME RING 14" PVC	PVC CLASS: CC1 (ASTM D635), IGNITION TEMP: 438 C (ASTM D1929), SMOKE DENSITY: 72.8% (ASTM D2843)
3	300430	TUBE TOP 14"	ALUMINUM TUBE (0.015") THICK REFLECTIVE INTERIOR FINISH
4	620050	DOME SEAL 14"	0.270"-W x 0.270"-H PILE WEATHER-STRIP, BLACK, PSA BACKED
5	700250	SCREW - DOME	#8 x 3/4" SMS: TRUSS HD, PHILL, STEEL DACRO COAT, OR STEEL AL-2000 PTFE COAT, OR STAINLESS
8	720180	GROMMET-DOME SCREW	EPDM DENSE RUBBER
7	200780	FLASHING 14" PITCHED	STEEL-ALUMINIZED COATED OR GALVANIZED COATED 22 GA (0.028")
8	200581	FLASHING 14" FLAT 4" HIGH	STEEL-ALUMINIZED COATED OR GALVANIZED COATED 22 GA (0.028")
9	230445	FLASHING 14" FLAT 6" HIGH	STEEL-ALUMINIZED COATED OR GALVANIZED COATED 22 GA (0.028")
10	230630	FLASHING 14" CURB MOUNT	STEEL-ALUMINIZED COATED OR GALVANIZED COATED 22 GA (0.028")
11	230470	FLASHING 14/2 TURRET	STEEL-ALUMINIZED COATED OR GALVANIZED COATED 22 GA (0.028")
12	230490	FLASHING 14/4 TURRET	STEEL-ALUMINIZED COATED OR GALVANIZED COATED 22 GA (0.028")
13	SEALANT 14	SEALANT ROOFING -GUNNABLE	P.N. 700070-FLEXIBLE SEAL OR P.N.700280 - GEOCELL 3300
14	700480	SCREW - FLASHING	#10 x 2" SMS: TRUSS HD, PHILL, STEEL DACRO COAT, OR STEEL AL-2000 PTFE COAT, OR STAINLESS
15	503430	SCREW - TUBE	#8 x 3/8" SMS, FLAT HD, PHILLIPS, ZINC COATED
16	720015	TURRET EXTENSION SCREW	#8 x 1/2" SMS: PAN HD PHILLIPS, STEEL ZINC, DACROTIZE, OR AL-2000 P.T.F.E COATED, OR S. STEEL
17	720025	TURRET EXTENSION SCREW	#8 x 1/4" SMS: PAN HD, PHILLIPS, STEEL ZINC DACROTIZE, OR AL-2000 P.T.F.E COATED, OR S. STEEL
18	601020	TAPE	WHITE POLYMER 1" WIDE, WITH PSA ADHESIVE
19	CURB	FIELD FABRICATED BY OTHERS	MIN 2" x 8" SYP WOOD NAILED TO PLYWOOD W/ 8d AT 6" O.C.
20	SHEATHING 14-F	FABRICATED BY OTHERS	MIN 5/8" THICK CDX PLYWOOD SUPPORTED AT 24" MAX O.C.
21	400770	DIFFUSER 14" SECONDARY	ACRYLIC P-12 OPTIX ACRYLIC PLASTIC SHEET (0.100") THICK, CC2, NOA #04-0428.03
22	300290	LTD 14"	ALUMINUM (0.015") THICK, REFLECTIVE INTERIOR FINISH

14" SOLATUBE

Engr. DR. HUMAYOUN FAROOQ
STRUCTURES
FLA. PE # 16557
C.A.N. 3838

DEC 15 2004

PRODUCT REVISED
as complying with the Florida
Printing Code
Acceptance No. 03-104.01
Expiration Date 11/13/07

By: [Signature]
Metal Duct Product Control
Division

AL-FAROOQ CORPORATION
ENGINEERS, PLANNERS & PRODUCT DESIGN
1235 SW 87 AVE
MIAMI, FLORIDA 33174
TEL. (305) 264-8100 FAX. (305) 262-6978

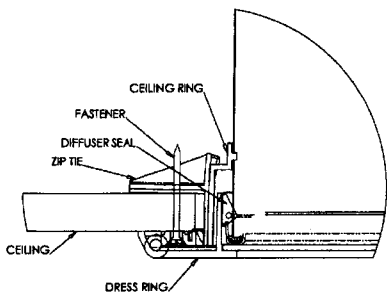
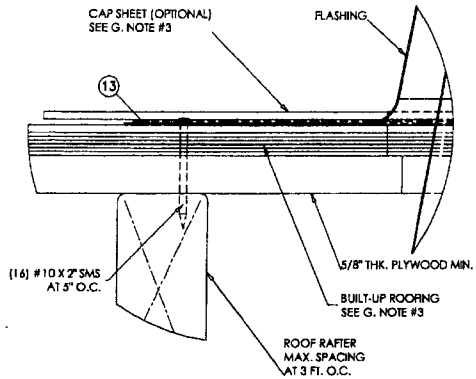
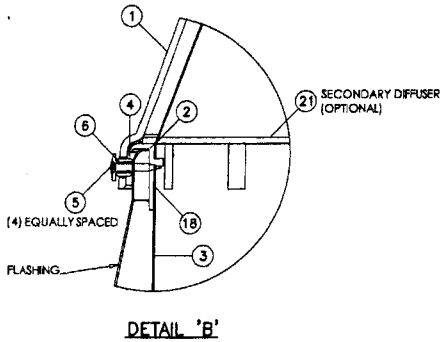
DOMES SKYLIGHTS
SOLATUBE INTERNATIONAL INC.
2210 OAK RIDGE WAY
VISTA, CA. 92081-8341
TEL. (760) 597-4400 FAX. (760) 599-3098

NO.	DATE	BY	DESCRIPTION
A	12.03.04		REV. PER RECD COMMENTS

date: 07-16-04
scale: 1/2" = 1"
dr. by: HAMD
chk. by:

drawing no.
W04-65
sheet 5 of 10

COMP-ANL-W04-6551

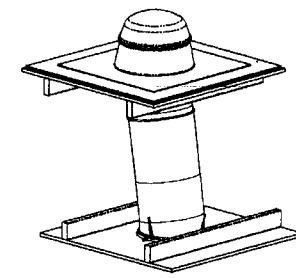
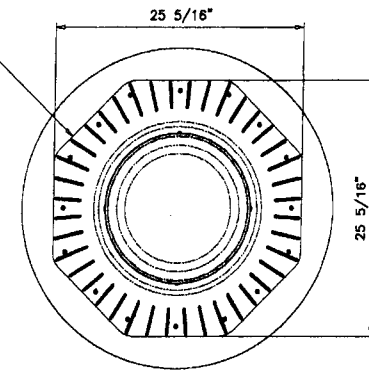
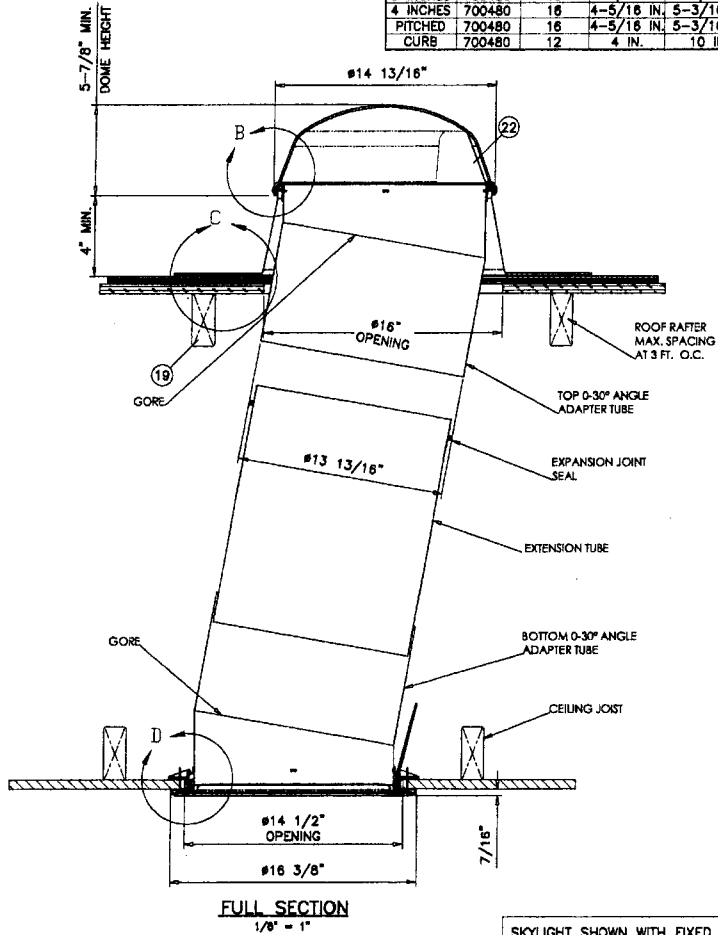


SECTION UNDER ROOF RAFTER IS SHOWN FOR ILLUSTRATION PURPOSES ONLY, NOT PART OF THIS APPROVAL.

#10 X 2" SMS
SEE CHARTS BELOW FOR QUANTITIES

LOADS UPTO 70 PSF					
FLASHING STYLE	SCREW	QUANTITY	O.C. DIST.		
			MIN.	MAX.	
6 INCHES	700480	8	8-5/8 IN.	10 IN.	
4 INCHES	700480	8	8-5/8 IN.	10 IN.	
PITCHED	700480	8	8-5/8 IN.	10 IN.	
CURB	700480	8	4 IN.	10 IN.	

LOADS UPTO 110 PSF					
FLASHING STYLE	SCREW	QUANTITY	O.C. DIST.		
			MIN.	MAX.	
6 INCHES	700480	16	4-5/16 IN.	5-3/16 IN.	
4 INCHES	700480	16	4-5/16 IN.	5-3/16 IN.	
PITCHED	700480	16	4-5/16 IN.	5-3/16 IN.	
CURB	700480	12	4 IN.	10 IN.	



**14" SOLATUBE
FLAT ROOF INSTALLATION**

Engr: DR. HUMAYOUN FAROOQ
STRUCTURES
FLA. PE # 18567
C.A.N. 3538

PRODUCT REVISED
As complying with the Florida Building Code
Amendment No. 03-1016.01
Implementation Date 11/12/07
By: [Signature]
Miami Dade Product Control Division

DEC 1 6 2004

SKYLIGHT SHOWN WITH FIXED CEILING. INSTALLATIONS AT SUSPENDED CEILING AND OPEN CEILING ARE OPTIONAL.

afc

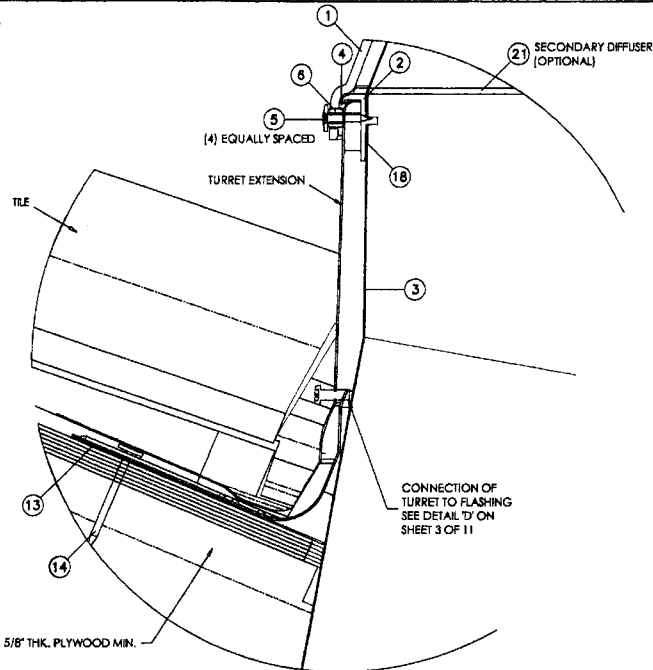
AL-FAROOQ CORPORATION
ENGINEERS, PLANNERS & PRODUCT DESIGN
12335 SW 87 AVE
MIAMI, FLORIDA 33174
TEL. (305) 264-8100 FAX. (305) 262-6878
COMP-ANK/W04-65SII

SOLATUBE INTERNATIONAL INC.
2210 OAK RIDGE WAY
VISTA, CA 92081-8341
TEL. (760) 597-1400 FAX. (760) 599-3099

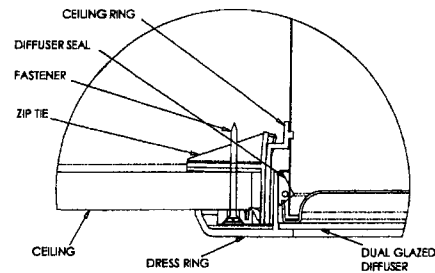
revisions:
NO. DATE BY DESCRIPTION
A 12.03.04 REV. PER BICO COMMENTS

DATE: 07-16-04
SCALE: 1/2" = 1'
DR. BY: HMMB
CHK. BY:

drawing no. **W04-65**
sheet 6 of 10

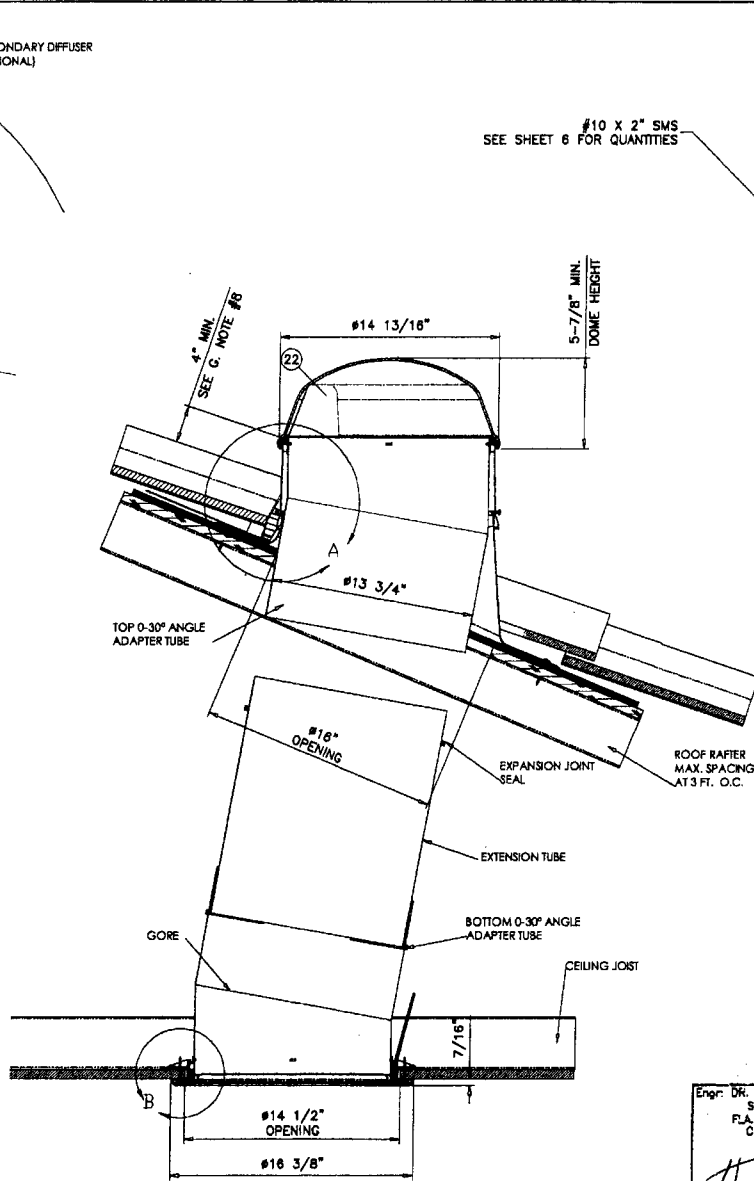


DETAIL 'A'



DETAIL 'B'

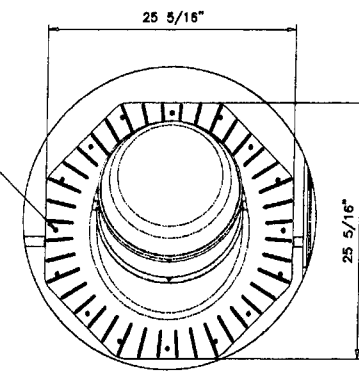
SECTION UNDER ROOF RAFTER IS SHOWN FOR ILLUSTRATION PURPOSES ONLY, NOT PART OF THIS APPROVAL.



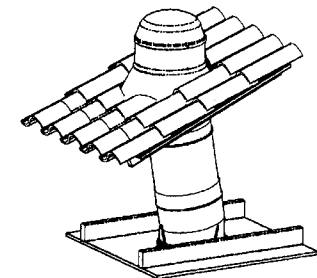
FULL SECTION
1/8" = 1"

SKYLIGHT SHOWN WITH FIXED CEILING. INSTALLATIONS AT SUSPENDED CEILING AND OPEN CEILING ARE OPTIONAL.

#10 X 2" SMS
SEE SHEET 6 FOR QUANTITIES



TOP VIEW
1/2" = 1'-0"

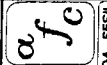


**14" SOLATUBE
PITCHED ROOF INSTALLATION**

Engr: DR. HUSAYUN FAROOQ
STRUCTURES
F.L.A. PE # 18557
C.A.N. 3638

DEC 1 5 2004

PRODUCT REVISED
to comply with the Florida
Building Code
Acceptance No. 03-1016.01
Expiration Date 11/15/09
By: [Signature]
Miami Dade Product Control
Division

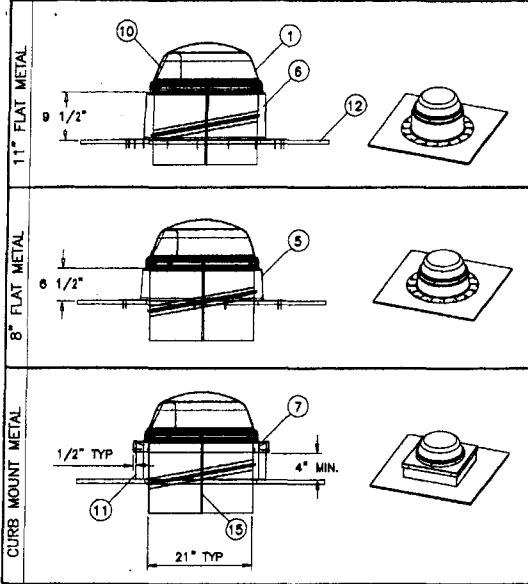


AL-FAROOQ CORPORATION
ENGINEERS, PLANNERS & PRODUCT DESIGN
1235 SW 87 AVE
MIAMI, FLORIDA 33174
TEL. (305) 264-8100 FAX. (305) 262-6978
COMP-ANI-W04-B55H

DOMES SKYLIGHTS
SOLATUBE INTERNATIONAL INC.
2210 OAK RIDGE WAY
VISTA, CA. 92081-8341
TEL. (760) 597-4400 FAX. (760) 599-3099

NO	DATE	DESCRIPTION
A	12.03.04	REV. PER BCCO COMMENTS

date: 07-16-04 scale: 1/2" = 1" dr. by: HAMD chg. by:	drawing no. W04-65 sheet 7 of 10
--	--



MAXIMUM DESIGN LOAD RATING = + 110.0 PSF
 - 110.0 PSF

ITEM NO.	PART NUMBER	DESCRIPTION	MATERIAL
1	509200	DOME 21"	3/16" POLYCARBONATE GE LEXAN XL-10 (NOA #03-0924.01) OR ATOFINA TUFFAK XL (NOA #00-1220.03)
2	700250	SCREW - DOME	(6) #8 X 3/4" SMS: TRUSS HD, PHILL, STEEL DACRO COAT, OR STEEL AL-2000 PTFECOAT, OR STAINLESS
3	720180	GROMMET - DOME SCREW	EPDM DENSE RUBBER
4	SEALANT 21	SEALANT ROOFING- GUNNABLE	P.N. 700070-FLEXIBLE SEAL OR P.N. 700280- GEOCEL 3300
5	200870	FLASHING 21" x 8" HIGH	STEEL-ALUMINIZED COATED OR GALVANIZED COATED 22GA (0.028")
6	200880	FLASHING 21" x 11" HIGH	STEEL-ALUMINIZED COATED OR GALVANIZED COATED 22 GA (0.028")
7	230840	FLASHING 21" CURB MOUNT	STEEL-ALUMINIZED COATED OR GALVANIZED COATED 22 GA (0.028")
8	700480	SCREW - FLASHING	#10 X 2" SMS: TRUSS HD, PHILL, STEEL DACRO COAT, OR STEEL AL-2000 PTFE COAT, OR STAINLESS
9	620120	SEAL - DOME	.4" x .4" FOAM WITH PSA ADHESIVE
10	300890LTD	21" REFLECTOR	ALUMINUM .020" THICK OR ALUMINUM 0.015" THICK
11	CURB	FIELD FABRICATED BY OTHERS	MIN 2" x 8" SYP WOOD NAILED TO PLYWOOD W/ Bd AT 24" O.C.
12	SHEATHING	FIELD FABRICATED BY OTHERS	MIN. 5/8" THICK CDX PLYWOOD SUPPORTED AT 24" MAX O.C.
13	400785	DOME RING 21"	PVC CLASS: CC1 (ASTM D635), IGNITION TEMP: 438 C (ASTM D1929), SMOKE DENSITY: 72.8% (ASTM D2843)
14	301710	TUBE 21" TOP TUBE	ALUMINUM 0.020" THICK
15	700650	RIVET	ALUMINUM 0.141" DIAMETER
16	503430	SCREW - TUBE	#8 X 3/8" SMS, FLAT HD, PHILLIPS, ZINC COATED
17	601020	TAPE	WHITE POLYMER 1" WIDE, WITH PSA ADHESIVE
18	400140	DIFFUSER 21" SECONDARY	ACRYLIC P-12 OPTIX ACRYLIC PLASTIC SHEET (0.100") THICK, CC2, NOA #04-0428.03
19	300690	LTD 21"	ALUMINUM (0.015") THICK, REFLECTIVE INTERIOR FINISH

21" SOLATUBE

Engr. DR. HOUSSAIN FAROOQ
 STRUCTURES
 FLA. PE # 18527
 C.A.N. 3538

DEC 16 2004

PRODUCT REVISED
 as complying with the Florida
 Building Code
 Acceptance No. 03-1016.01
 Expiration Date 11/18/09
 By: [Signature]
 Miami Desk Product Control
 Division

afc

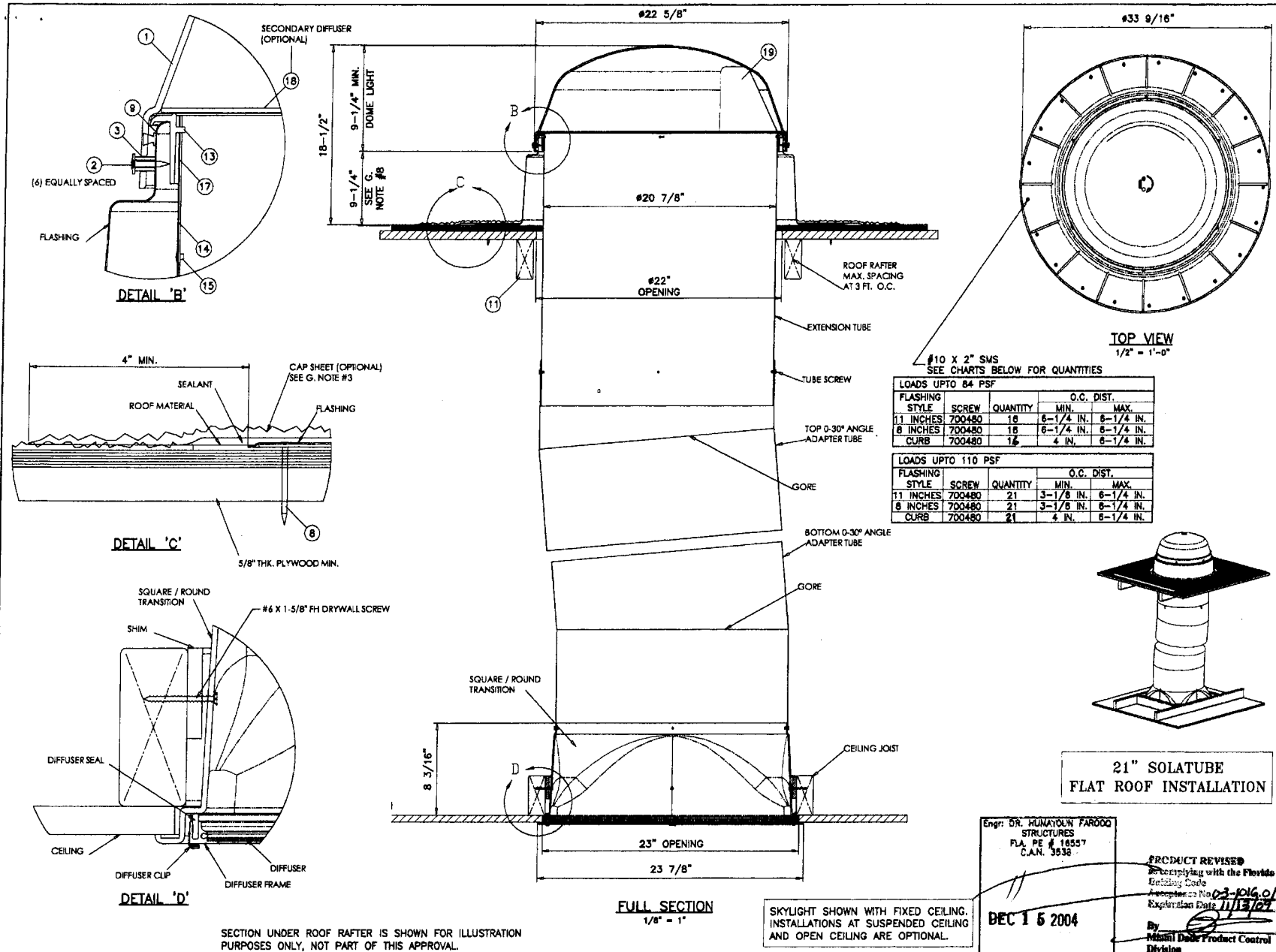
AL-FAROOQ CORPORATION
 ENGINEERS, PLANNERS & PRODUCT DESIGN
 1235 SW 87 AVE
 MIAMI, FLORIDA 33174
 TEL: (305) 264-8100 FAX: (305) 262-8978
 COMP-ANL W04-65SH

DOME SKYLIGHTS
SOLATUBE INTERNATIONAL INC.
 2210 OAK RIDGE WAY
 VISTA, CA. 92081-8341
 TEL: (760) 597-4400 FAX: (760) 599-5099

REVISIONS:
 NO DATE BY DESCRIPTION
 A 12.03.04 REV. PER BCCO COMMENTS

date: 07-16-04
 scale: 1/2" = 1"
 dr. by: HAMD
 ckt. by:

drawing no. **W04-65**
 sheet 8 of 10



#10 X 2" SMS
SEE CHARTS BELOW FOR QUANTITIES

LOADS UPTO 84 PSF		O.C. DIST.	
FLASHING STYLE	SCREW QUANTITY	MIN.	MAX.
11 INCHES 700480	18	6-1/4 IN.	8-1/4 IN.
8 INCHES 700480	18	6-1/4 IN.	8-1/4 IN.
CURB 700480	18	4 IN.	8-1/4 IN.

LOADS UPTO 110 PSF		O.C. DIST.	
FLASHING STYLE	SCREW QUANTITY	MIN.	MAX.
11 INCHES 700480	21	3-1/8 IN.	6-1/4 IN.
8 INCHES 700480	21	3-1/8 IN.	6-1/4 IN.
CURB 700480	21	4 IN.	8-1/4 IN.

**21" SOLATUBE
FLAT ROOF INSTALLATION**

Engr. DR. HUMANOLYN FAROOQ
STRUCTURES
FLA. PE # 16557
C.A.N. 3538

PRODUCT REVISIONS
 *Revising with the Florida Building Code
 Approved as No. 03-016.0
 Expiration Date 11/13/04
 By: [Signature]
 Miami Dade Product Control Division

DEC 15 2004

SKYLIGHT SHOWN WITH FIXED CEILING.
INSTALLATIONS AT SUSPENDED CEILING AND OPEN CEILING ARE OPTIONAL.

SECTION UNDER ROOF RAFTER IS SHOWN FOR ILLUSTRATION PURPOSES ONLY, NOT PART OF THIS APPROVAL.

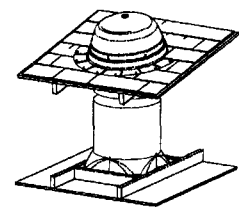
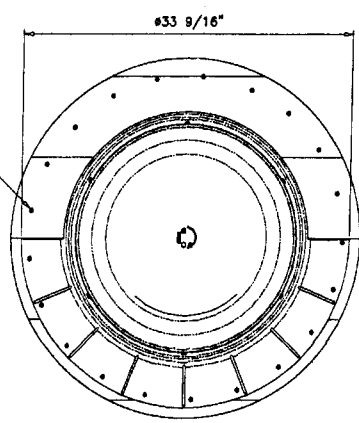
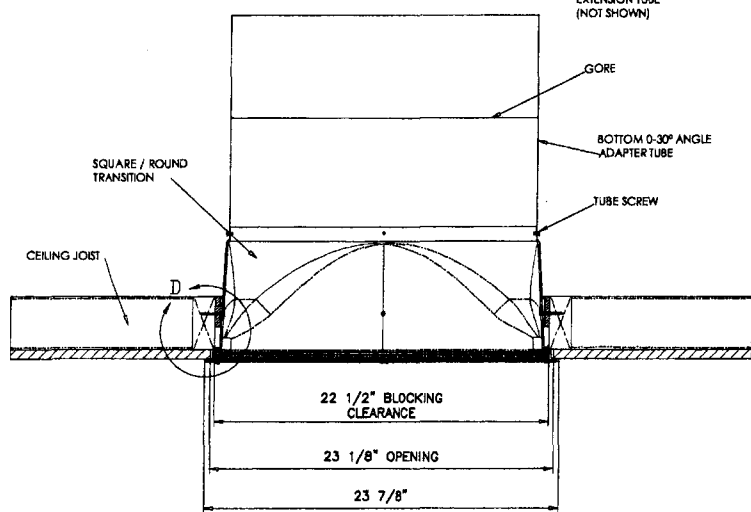
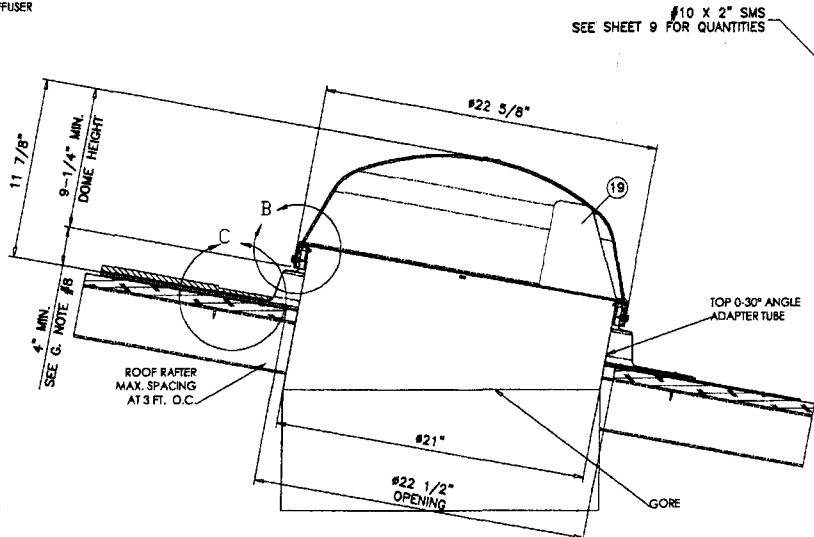
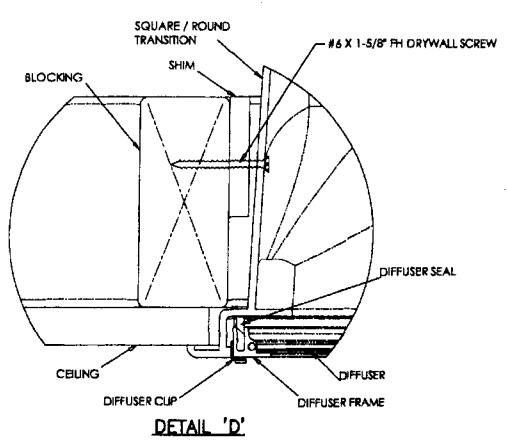
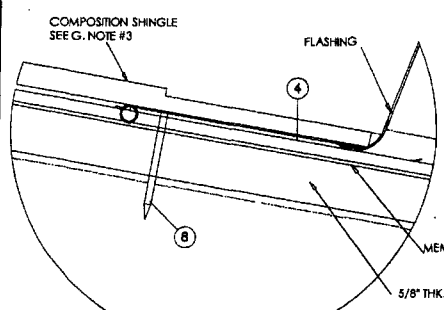
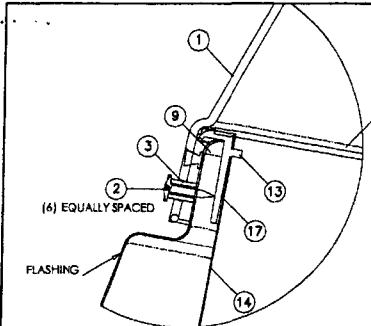
afc
AL-FAROOQ CORPORATION
 ENGINEERS, PLANNERS & PRODUCT DESIGN
 1235 SW 87 AVE
 MIAMI, FLORIDA 33174
 TEL. (305) 264-6100 FAX. (305) 262-6978
 COMP-ANL W04-655R

DOMES SKYLIGHTS
SOLATUBE INTERNATIONAL INC.
 2210 OAK RIDGE WAY
 VISTA, CA 92081-8341
 TEL. (760) 997-4400 FAX. (760) 999-3099

REVISIONS	NO	DATE	BY	DESCRIPTION
	1	12/20/04		REV. PER BICO COMMENTS

date: 07-16-04
 scale: 1/2" = 1"
 dr. by: HAMD
 chg. by:

drawing no. **W04-65**
 sheet 9 of 10



21" SOLATUBE
PITCHED ROOF INSTALLATION

#10 X 2" SMS
SEE SHEET 9 FOR QUANTITIES

SECTION UNDER ROOF RAFTER IS SHOWN FOR ILLUSTRATION PURPOSES ONLY, NOT PART OF THIS APPROVAL.

SKYLIGHT SHOWN WITH FIXED CEILING. INSTALLATIONS AT SUSPENDED CEILING AND OPEN CEILING ARE OPTIONAL.

Engr. DR. HUMAYUN FAROOQ
STRUCTURES
FLA. PE # 10557
C.A.N. 3538

PRODUCT REVISED
per complying with the Florida Building Code
Reference No. 03-1016.01
Expiration Date 11/13/09
By: [Signature]
Miami Dade Product Control Division

DEC 15 2004

afco
AL-FAROOQ CORPORATION
ENGINEERS, PLANNERS & PRODUCT DESIGN
1235 SW 87 AVE
MIAMI, FLORIDA 33174
TEL. (305) 264-8100 FAX. (305) 262-6978
COMP-ANL-W04-6551

DOMES SKYLIGHTS
SOLATUBE INTERNATIONAL INC.
2210 OAK RIDGE WAY
VISTA, CA. 92081-8341
TEL. (760) 597-4400 FAX. (760) 599-3098

REV. NO.	DATE	DESCRIPTION
1	12.03.04	REV. PER RCD COMMENTS

date: 07-16-04
scale: 1/2" = 1"
dr. by: HAMD
chk. by:
drawing no. W04-65
sheet 10 of 10