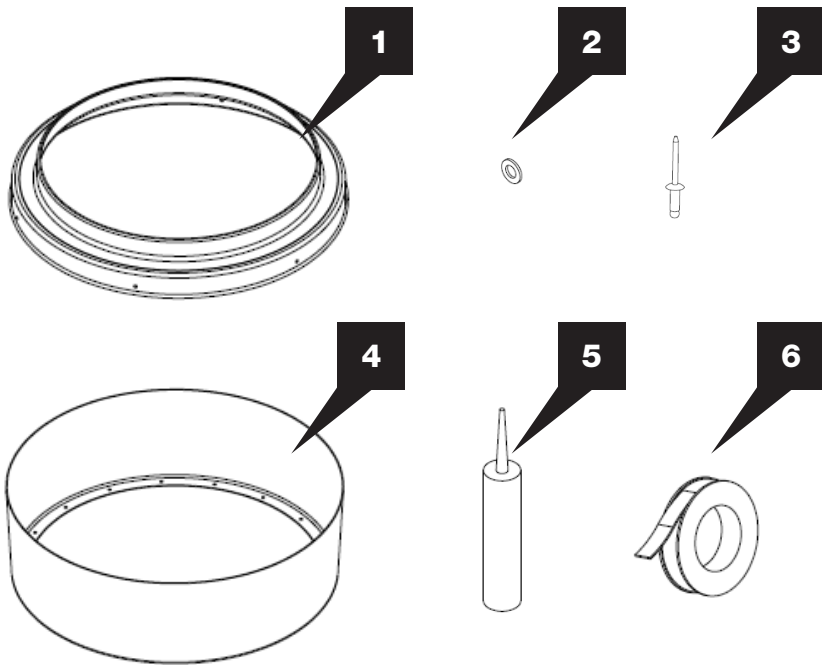




SOLATUBE
Innovation in Daylighting.

Solatube® 330 DS/750 DS Daylighting System
Metal Roof Flashing
Installation Instructions



Parts List

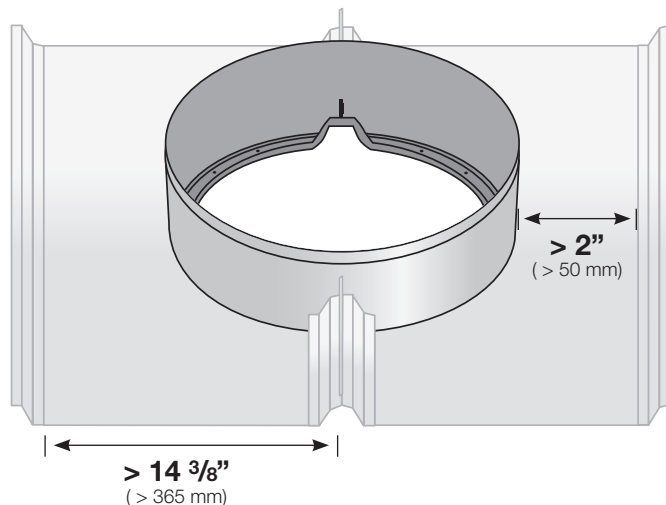
		Quantity
1	Flashing Cap	(1)
2	Washer	(18)
3	Rivet	(24)
4	Flashing Base	(1)
5	Sealant	(1)
6	Butyl Tape	(1)

Tools List

Screw Gun	Reciprocating Saw/Jig Saw
Rivet Gun	Marking Pen
Caulking Gun	Measuring Tape
Hammer	Tin Snips

Overview

Please read through these instructions from beginning to end before cutting any holes or parts. Complete standard SolaMaster® installation instructions through roof location before proceeding. The roof profile must have ribs at a minimum distance in order to maintain 2 inches (50mm) minimum free horizontal panel between vertical wall of flashing and adjacent rib (see diagram on the right for spacing requirements). For roof profiles with additional minor ribbing, the minor ribs must not exceed a maximum height of ¼" (6.35 mm) in order to ensure a proper water proofing seal. Consult experts for structural requirements. For corrugated metal roofs, pressed metal roofs (horizontal panels), or architectural roofs with ribs outside of required dimensions contact your local Solatube distributor for alternative flashing methods.




For the most current Installation Instructions, please visit www.solatube.com/instructions


Solatube International, Inc. | 2210 Oak Ridge Way | Vista, CA 92081-8341 | www.solatube.com | T: 888.SOLATUBE

© 2010 Solatube International, Inc.

WARNING

 **Do not proceed with the installation until you have read the entire instructions, including these warnings. (Use of materials or methods not authorized by Solatube International will result in invalid warranty.)**

Solatube International, Inc. (seller) assumes no responsibility or obligation whatsoever for the failure of an architect, contractor, installer, or building owner to comply with all applicable laws, ordinances, building codes, energy codes, fire and safety codes and requirements, roof warranties and adequate safety precautions. Installation of this product should be attempted only by individuals skilled in the use of the tools and equipment necessary for installation. Protect yourself and all persons and property during installation. If you have any doubts concerning your competence or expertise, consult a qualified expert before proceeding.

 **Install at your own risk!** Solatube product installations may be dangerous and include the potential for death, personal injury, and property damage. The hazardous conditions include but are not limited to the following:

- During installation the Solatube Daylighting System's reflective tubes may focus sunlight, causing intense heat or fire. Remove protective film only after the parts have been installed. Prior to and during installation, do not leave tubes in contact with combustible materials or unattended, especially near direct sunlight. Avoid skin burns.
- Solatube Daylighting Systems and Solar Star products may have sharp edges. Always wear leather or canvas gloves while handling and installing products.
- Solatube product installations require climbing and working at dangerous heights, including on ladders, scaffolding, roofs, and in attic spaces. Risk of death, personal injury and property damage may result from a fall or from falling objects. Use extreme caution to minimize risk of accidental injury, including, but not limited to the following procedures:
- Clear area below your work space of all people, animals and other items.
- Avoid working on surfaces that are slippery or wet.
- Use foot wear with excellent traction.
- Use only strong, well supported ladders.
- Work only in calm dry weather.
- When in the attic, ensure that your weight is supported at all times with structurally sound framing; drywall material is not designed to carry a person's weight.
- To reduce the risk of fire, electric shock, and personal injury, basic safety precautions should always be followed when using electrical tools, including always wearing safety goggles or other suitable eye protection and ensuring work area is clear of all electrical wires, gas pipes, water pipes, and other obstacles.
- When working in the attic or other dusty areas, use of a mask or respirator is recommended to avoid lung irritation. Attic spaces may be dark, confined, and subject to extreme temperatures. Beware of sharp protruding objects. Do not attempt installation without having someone within range of your voice or close enough to come to your aid, if necessary.
- Solatube products are not designed to withstand the weight of a person, tools, or other objects. Walking or placing objects on the product could cause personal injury and property damage. If the product is damaged, the structural capacity may be weakened; therefore the product should be repaired immediately. For safe installation and use, do not deviate from these installation instructions

Reroofing

- Solatube products require special care if removed for re-roofing. In order to ensure proper removal and reinstallation, please contact your Solatube representative.

Daylighting Systems Installation Tips

These instructions are a step-by-step guide for the installation of a Solatube Daylighting System in the following conditions. For other roof types, please contact your Solatube representative for additional information.

Built Up Flat Roof - Single Ply/Membrane - Asphalt Shingle - Low/No Pitched - Pitched - Prefabricated Curbs - Metal Roof Panels

- Allow at least 2-3 hours for the installation, particularly if this is your first installation.
- During the day, turn off all of the lights in the room to see how much natural light comes in through the windows, and determine the best position for the Solatube Daylighting System. To light a specific area, place the system over the area, not in the center of the room. This will prevent the desired area from being shaded by tall objects in the room.
- Measure the distance between the roof and the ceiling. If you don't have enough tubing, contact your Solatube Dealer for additional tubes.
- Avoid roof locations shaded by trees, ridges and chimneys, or near water channels or valleys. Also, avoid roof areas with obstructions such as fire sprinklers, HVAC equipment, gas, water or drain pipes, air ducts or flues and ensure that the roof is adequate to endure an installation without damaging its waterproofing properties or weakening the building structure.
- All adhesives, seals and tapes are recommended to be applied to a dry surface at a minimum of 70°F (21°C) for maximum performance.
- Foil tape contains a pressure sensitive adhesive and pressure must be applied to all seams for proper bonding. Foil tape is not intended for use as structural support of the extension tubes. For structural integrity use Manufacturer supplied fasteners on all overlapping extension tube joints.

For the most current Installation Instructions, please visit www.solatube.com/instructions

Solatube International, Inc. | 2210 Oak Ridge Way | Vista, CA 92081-8341 | www.solatube.com | T: 888.SOLATUBE

1 Make a Roof Profile Template
Trace rib profile onto a piece of sheet-metal to make template. Cut-out profile $\frac{1}{16}$ inch (1.6mm) larger than actual rib size.

2 Trace & Cut Roof Profile
Use template to trace rib profile onto outside bottom edge of flashing base. Repeat on exact opposite side of flashing base. Cut-out rib profiles. Note: Ensure traced profiles are aligned for proper fitment onto roof deck prior to cutting.

3 Position Curb Over Rib
Place flashing base over rib and use pre-drilled holes as a guide to bore fastener holes in roof panel. Place rivets in holes without activating them to keep flashing base stationary during the process.

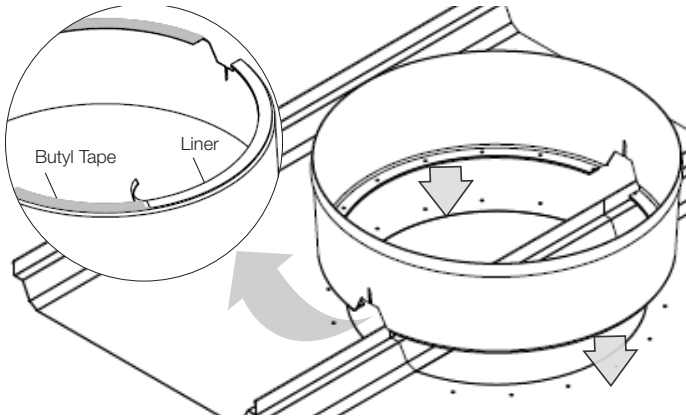
4 Mark Roof Penetration
Mark roof penetration cut line $\frac{3}{4}$ inch (20mm) inside of flashing base edge.

5 Make Roof Penetration
Make roof penetration along cut line, and leave rib in place to maintain roof structure stability. Note: Rib must stay intact until flashing base has been fastened to metal decking.

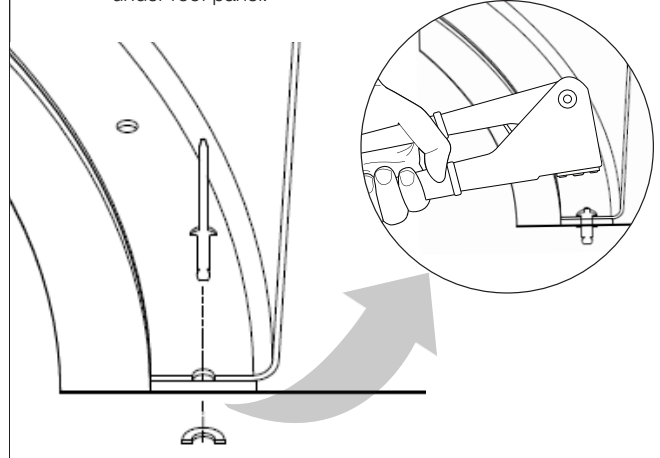
6 Clean Roof Surface
Clean roof surface using rubbing alcohol or other approved roof cleaning materials. Clean area should be minimum 1 inch (25mm) larger than outside edge of flashing base. Note: Improper cleaning of roof surface will compromise water proofing method.

7**Place Flashing**

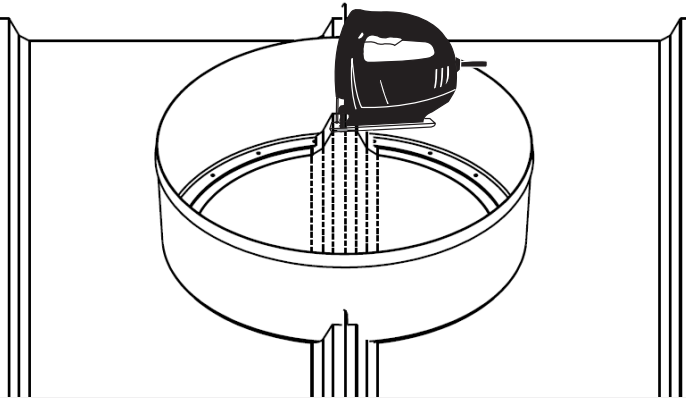
Clean bottom of flashing base and apply butyl tape. Remove paper liner from butyl tape and place flashing base onto roof deck centered over roof penetration. Note: use additional butyl tape to fill any voids between roofing material and flashing.

**8****Rivet Flashing to Roof Panel**

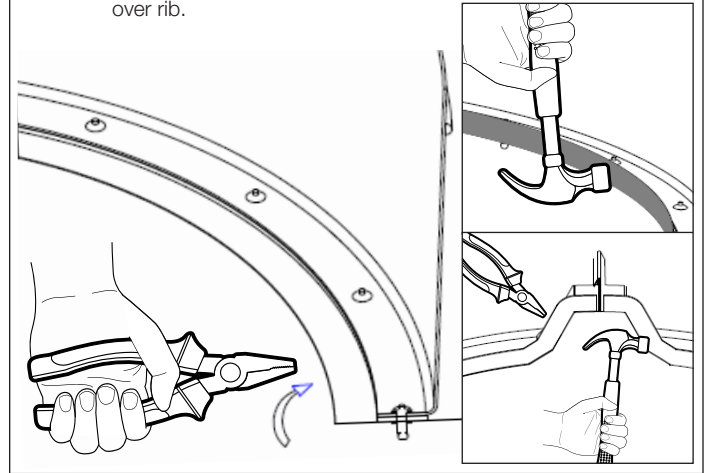
Push all rivets through fastener holes and butyl tape; fasten flashing base to roof with rivets and washer reinforcements under roof panel.

**9****Remove Remaining Rib**

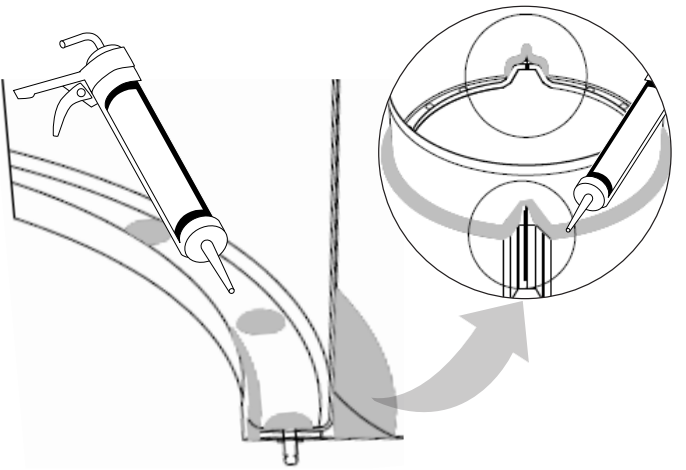
Cut out remaining rib.

**10****Bend Roof Material**

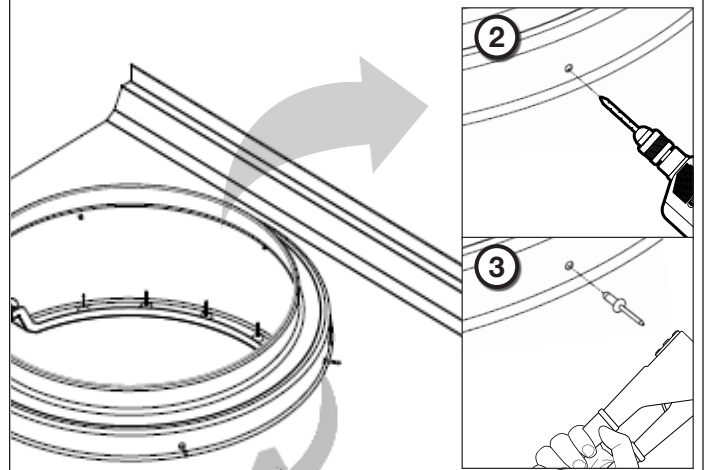
Bend excess roof material at interior of flashing base to create a secondary water barrier. Note: Water barrier should continue over rib.

**11****Apply Sealant**

Place sealant on inside and outside of flashing base seams including rib profiles and rivet heads ensuring to fill all gaps.

**12****Install Flashing Cap**

Place flashing cap onto flashing base. Pre-drill fastening holes and fasten using six rivets. Coat all rivet heads with sealant.



Return to Solatube® 330 DS and 750 DS instructions to complete installation.

For the most current Installation Instructions, please visit www.solatube.com/instructions

Solatube International, Inc. | 2210 Oak Ridge Way | Vista, CA 92081-8341 | www.solatube.com | T: 888.SOLATUBE

© 2010 Solatube International, Inc.