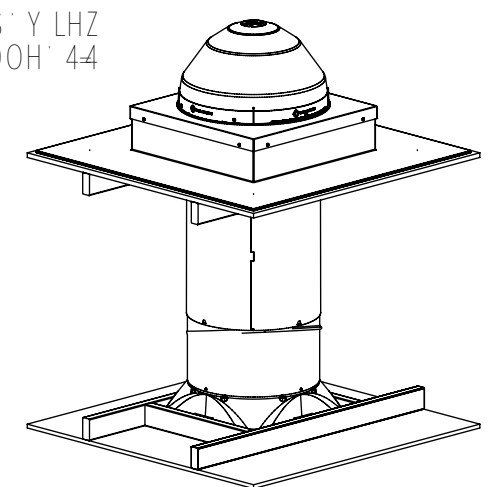
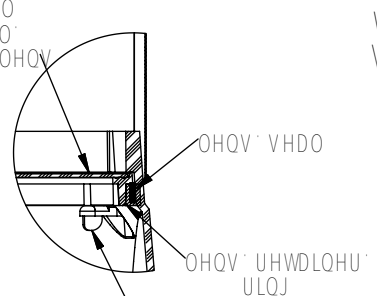
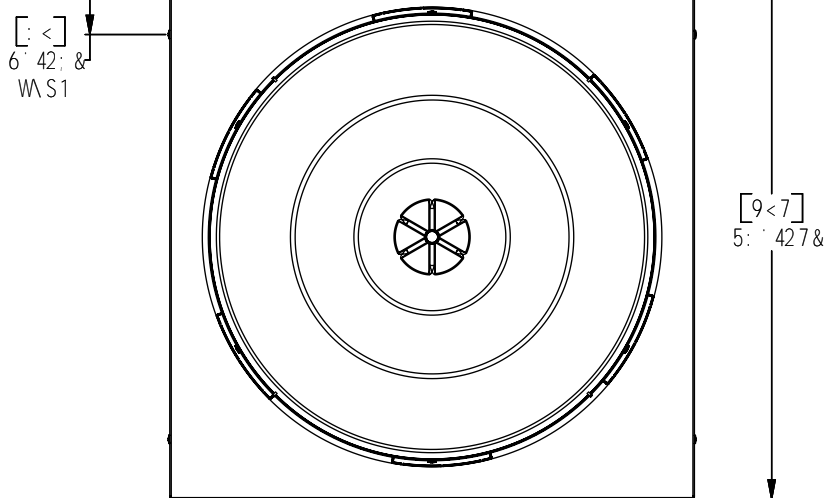


VRODWXEH : 83' GV * F
 ,54' LQ' 2' 863' PP-
 FXUE' FDS
 KDUG' FHLOLOJ' Z LWK'
 RSWLRQDO' LQOHU' GRPH

9<7'
 5: 427&
 VTXDUH
 RXWVLGH' FDS
 UHI 1



GHWDLO' F'
 VFDOH' 6' = 4

- QRWHV=
 41 VWUXFWXUDO' HOHPHOW' ,SOVZ RRGQ UDI WHUVO GU'Z DOO' HWF' :
 'E' RWKHUV' * VKRZ Q' I RU' UHI HUHQFH' RQO\1
 51 DOO' WXEH' MRLQW' * VHDQV' WDSHG' Z LWK' 5& I RLO' WDSH' ,QRW VKRZ Q-1
 61 GLPHQVLRQ' LO' EUDFNHW' DUH' PHWLF' XQOHVV' RWKHUZ LVH' VSHFLI LHG1
 71' 9& PLO' FOHDUDQFH' VKRXOG' EH' PDLQWLQHG' I URP' DOO' VRODWXEH'
 FRPSRQHQW' DQG' RWKHU' SOHQXP' FRPSRQHQW1

XQOHVV' RWKHUZ LVH' VSHFLI LHG=		VRODWXEH' LOWHUODLWRODOO' LOF1 FRS\ULI KW 5344		 2210 OAK RIDGE WAY VISTA, CALIFORNIA 92081-8341 PH (760) 597-1400	
GLPHQVLRQ' DUH' LO' LOF KHV WROHDOF HV= DOJ XODUOH' : 1 35 1 338	 Z Z Z VRODWXEH' FRP			
PDWHULDO	GUDZ Q' E\ VWHY HOV	GDWH : 2423	W\WOH= : 83' GV * F' FXUE' FDS		
I LQVK	FKHF NHG' E\	GDWH	KDUG' FHLOLOJ'		
GR' ORW' VFDOH' GUDZ LOJ	DSSURY HG' E\	GDWH	VLIJ	GZ J1' OR1 Z HE' : 83' FI * KF	UHY 5
			VFDOH= 44		VKHHW 4 RI 4