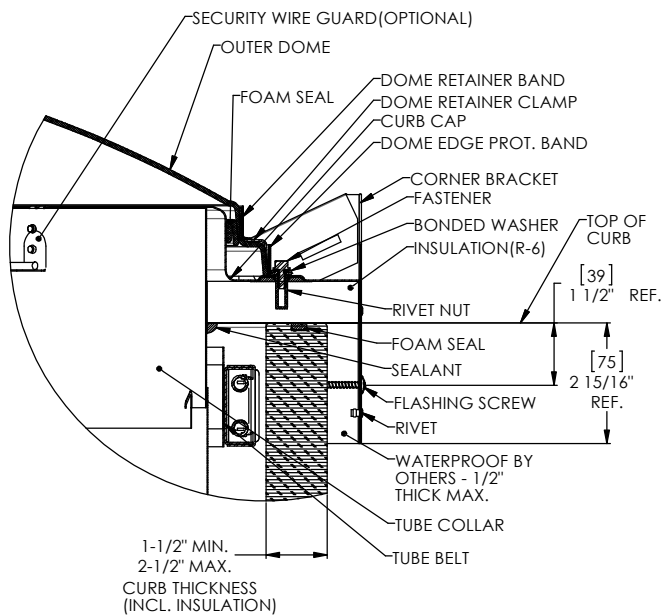
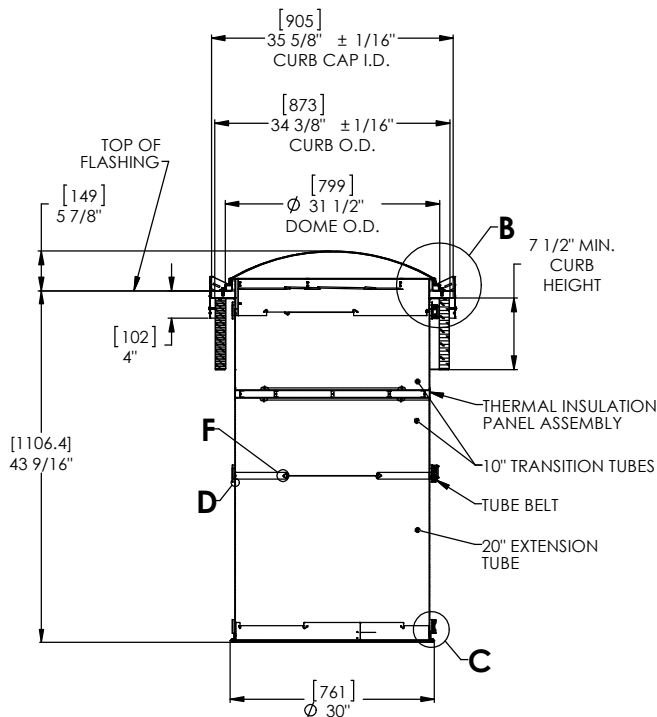


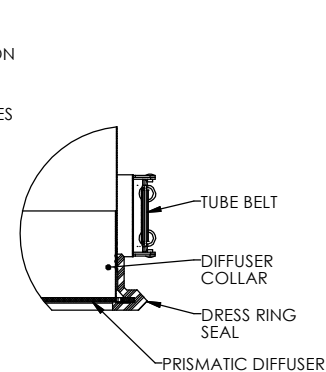
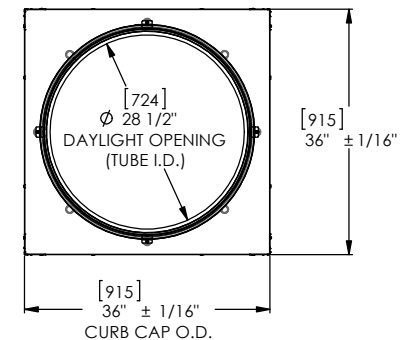
SOLATUBE M74 DS-O-DP-FC-TIP-B
(29 IN / 740 MM)
CURB CAP/THERMAL INSULATION PANEL
OPEN CEILING



DETAIL B
SCALE 3 : 1



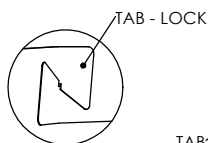
SECTION A-A



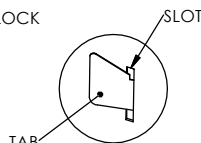
DETAIL C
SCALE 3 : 1

NOTES:

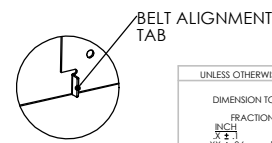
- STRUCTURAL ELEMENTS (PLYWOOD, RAFTERS, DRYWALL ETC.) BY OTHERS & SHOWN FOR REFERENCE ONLY.
- DIMENSIONS IN BRACKETS ARE METRIC UNLESS OTHERWISE SPECIFIED.
- 6" MIN CLEARANCE SHOULD BE MAINTAINED FROM ALL SOLATUBE COMPONENTS AND OTHER PLENUM COMPONENTS.
- CURB CORNER TO CORNER MEASUREMENT SHALL BE EQUIVALENT TO WITHIN 3/32".



DETAIL E
SCALE 6 : 1



DETAIL F
SCALE 6 : 1



DETAIL D
SCALE 6 : 1

| | | | | | |
|---|--|---|-----------|--|--|
| UNLESS OTHERWISE SPECIFIED: | | SOLATUBE INTERNATIONAL INC. COPYRIGHT 2023 | | 2215 DAK ROOSE WAY DIGITAL, CALIFORNIA, 92081-8341 PH (760) 971-4400 | |
| DIMENSION TOLERANCE FRACTIONS ± 1/8" INCH ± 0.6 XX ± 0.6 | | WWW.SOLATUBE.COM | | TITLE: M74 DS CURB MOUNT OPEN CEILING | |
| MATERIAL - | | DRAWN BY STEVENS | DATE - | SIZE D | DWG. NO. M74DS-O-DP-FC-TIP-B |
| FINISH - | | CHECKED BY - | DATE - | SCALE: 1:2 | REV 2 |
| DO NOT SCALE DRAWING | | APPROVED BY - | DATE - | SHEET 1 OF 1 | |