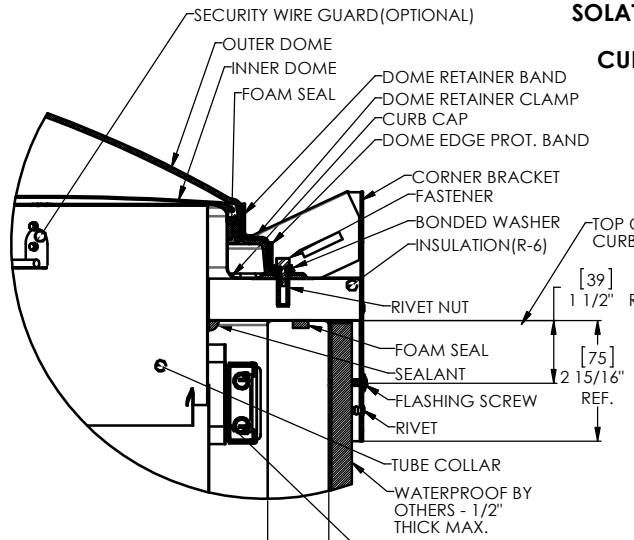
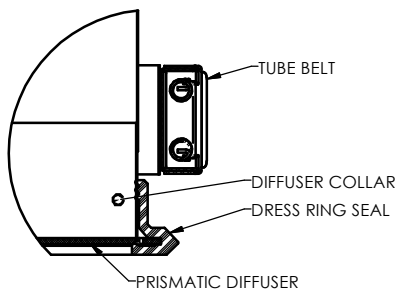


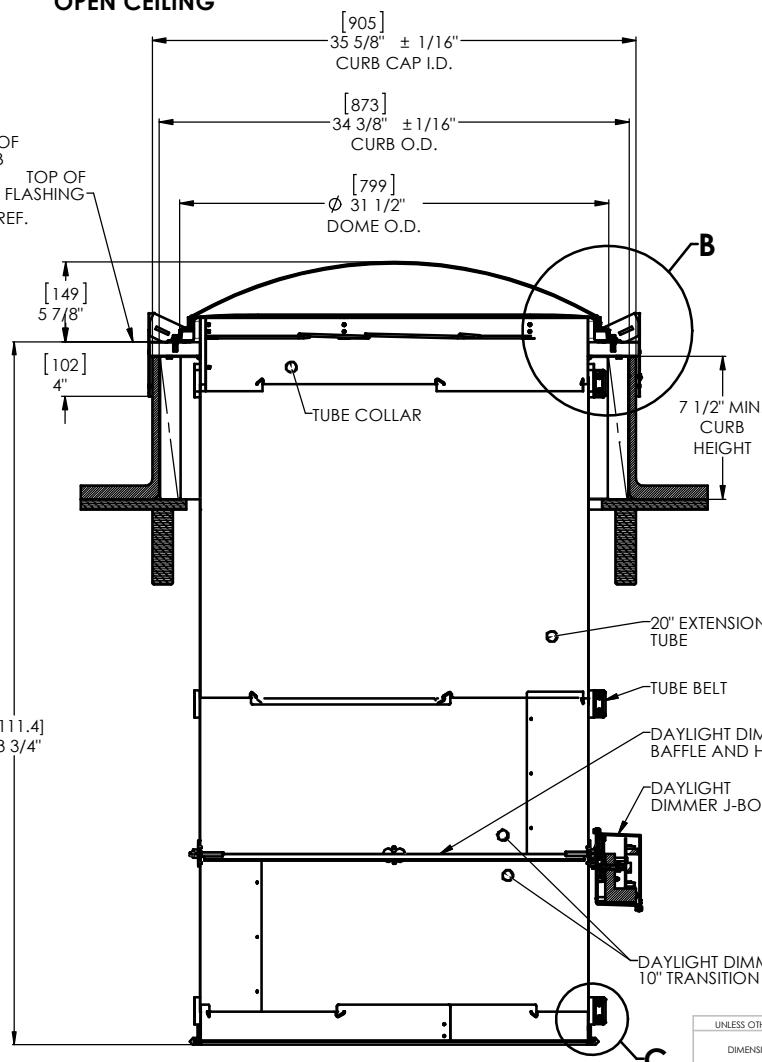
SOLATUBE M74 DS-O-DPP-B-FC-DD
(29 IN / 740 MM)
CURB CAP/DAYLIGHT DIMMER
OPEN CEILING



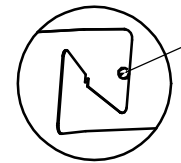
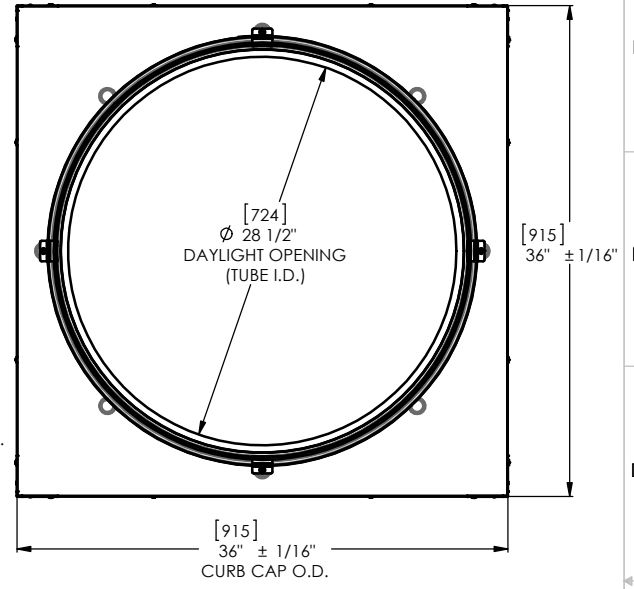
DETAIL B
SCALE 3 : 1



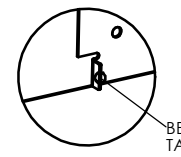
DETAIL C
SCALE 4 : 1



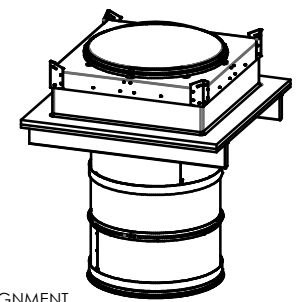
SECTION A-A



DETAIL E
SCALE 8 : 1



DETAIL D
SCALE 8 : 1



- NOTES:
1. STRUCTURAL ELEMENTS (PLYWOOD, RAFTERS, DRYWALL ETC.) BY OTHERS & SHOWN FOR REFERENCE ONLY.
 2. DIMENSIONS IN BRACKETS ARE METRIC UNLESS OTHERWISE SPECIFIED.
 3. 6" MIN CLEARANCE SHOULD BE MAINTAINED FROM ALL SOLATUBE COMPONENTS AND OTHER PLENUM COMPONENTS.
 4. CURB CORNER TO CORNER MEASUREMENT SHALL BE EQUIVALENT TO WITHIN 3/32".

UNLESS OTHERWISE SPECIFIED:		SOLATUBE INTERNATIONAL INC. COPYRIGHT 2023		 2215 DAK ROOSE WAY COSTA MESA, CALIFORNIA 92626-1341 PH (714) 971-4400	
DIMENSION TOLERANCE		WWW.SOLATUBE.COM		TITLE: M74 DS CURB MOUNT OPEN CEILING	
FRACTIONS ± 1/8"		DRAWN BY	DATE	SIZE	DWG. NO.
INCH ± 1/16"		CHECKED BY	DATE	D	M74DS-O-DPP-B-FC-DD
XX ± 0.6 MILLIMETER		APPROVED BY	DATE	SCALE: 1:1	REV 4
XX ± 0.6 (XX) ± 1.5		DO NOT SCALE DRAWING		SHEET 1 OF 1	