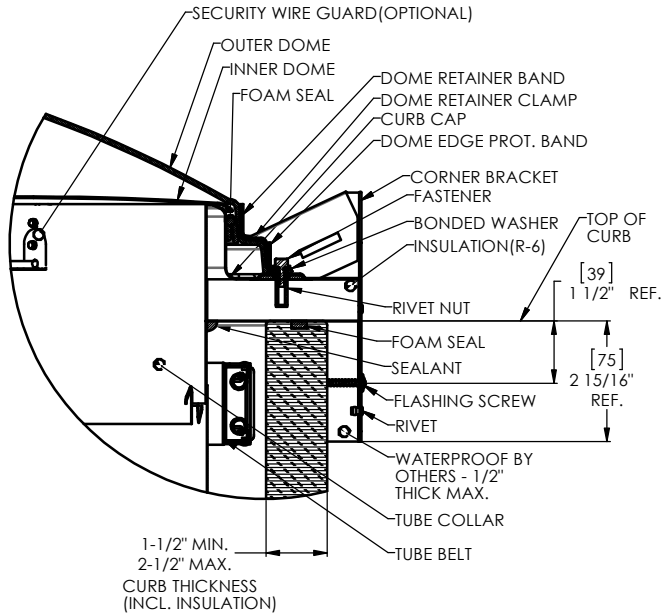
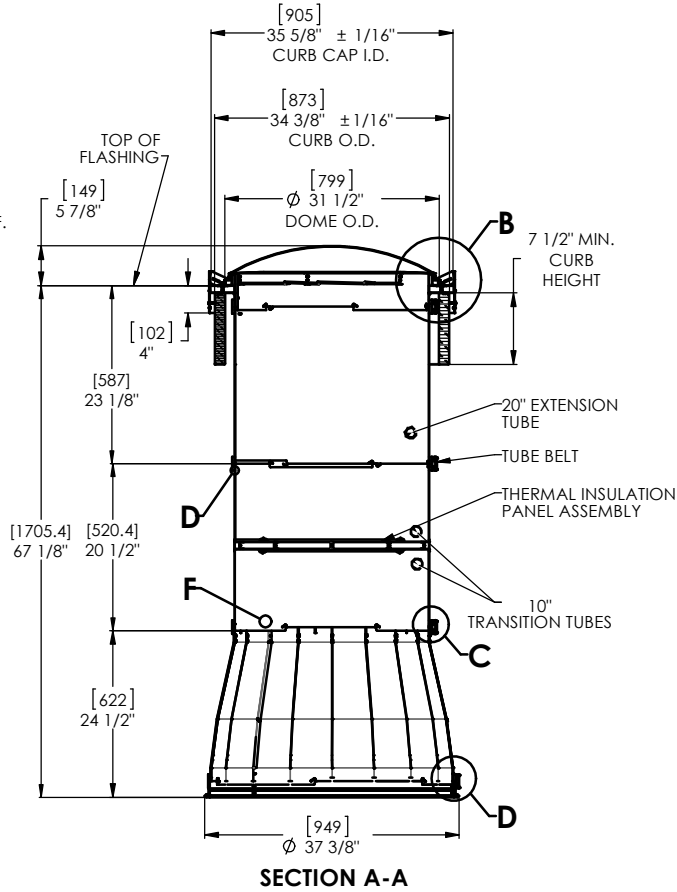


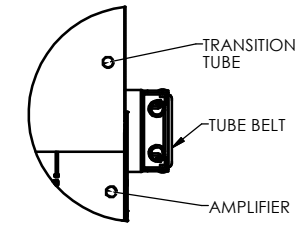
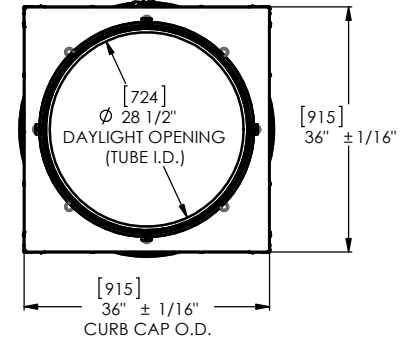
SOLATUBE M74 DS-O-DPP-A-FC-TIP
(29 IN / 740 MM)
CURB CAP/THERMAL INSULATION PANEL
OPEN CEILING



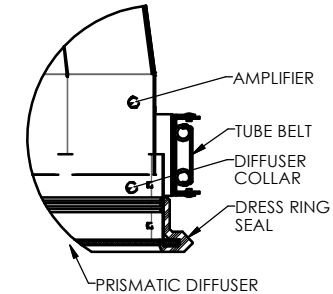
DETAIL B
SCALE 3 : 1



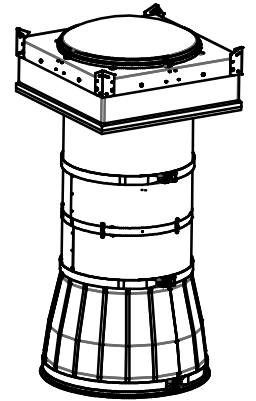
SECTION A-A



DETAIL C
SCALE 3 : 1

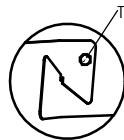


DETAIL D
SCALE 3 : 1

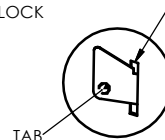


NOTES:

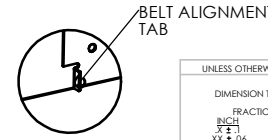
- STRUCTURAL ELEMENTS (PLYWOOD, RAFTERS, DRYWALL ETC.) BY OTHERS & SHOWN FOR REFERENCE ONLY.
- DIMENSIONS IN BRACKETS ARE METRIC UNLESS OTHERWISE SPECIFIED.
- 6" MIN CLEARANCE SHOULD BE MAINTAINED FROM ALL SOLATUBE COMPONENTS AND OTHER PLENUM COMPONENTS.
- CURB CORNER TO CORNER MEASUREMENT SHALL BE EQUIVALENT TO WITHIN 3/32".



DETAIL E
SCALE 6 : 1



DETAIL F
SCALE 6 : 1



DETAIL D
SCALE 6 : 1

UNLESS OTHERWISE SPECIFIED:		SOLATUBE INTERNATIONAL, INC. COPYRIGHT 2023 WWW.SOLATUBE.COM		 2215 DAK ROOSE WAY COSTA MESA, CALIFORNIA 92626-1311 PH (714) 971-4400	
DIMENSION TOLERANCE FRACTIONS ± 1/8" INCH ± 0.015" MILLIMETER XX ± 0.6 (XX) ± 1.3		DRAWN BY STEVENS CHECKED BY APPROVED BY		DATE 8/4/2015 DATE DATE	
FINISH		DO NOT SCALE DRAWING		SIZE D	DWG. NO. M74DS-O-DPP-A-FC-TIP
				SCALE: 1:1	REV 2
					SHEET 1 OF 1