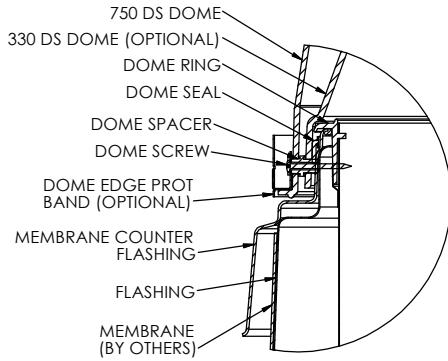
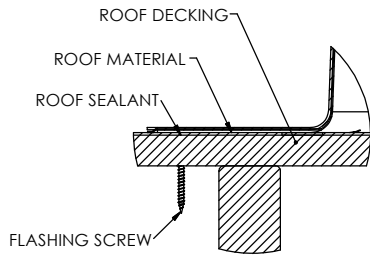


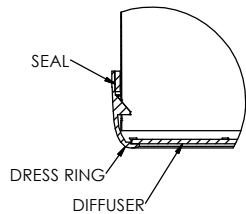
**SOLATUBE 750DS-O-DA-F11-MCF-E1-TA**  
**(21 IN / 530 MM)**  
**11 INCH SELF FLASHING W/ MEMBRANE COUNTER FLASHING**  
**ANGLE ADAPTER - OPEN CEILING**



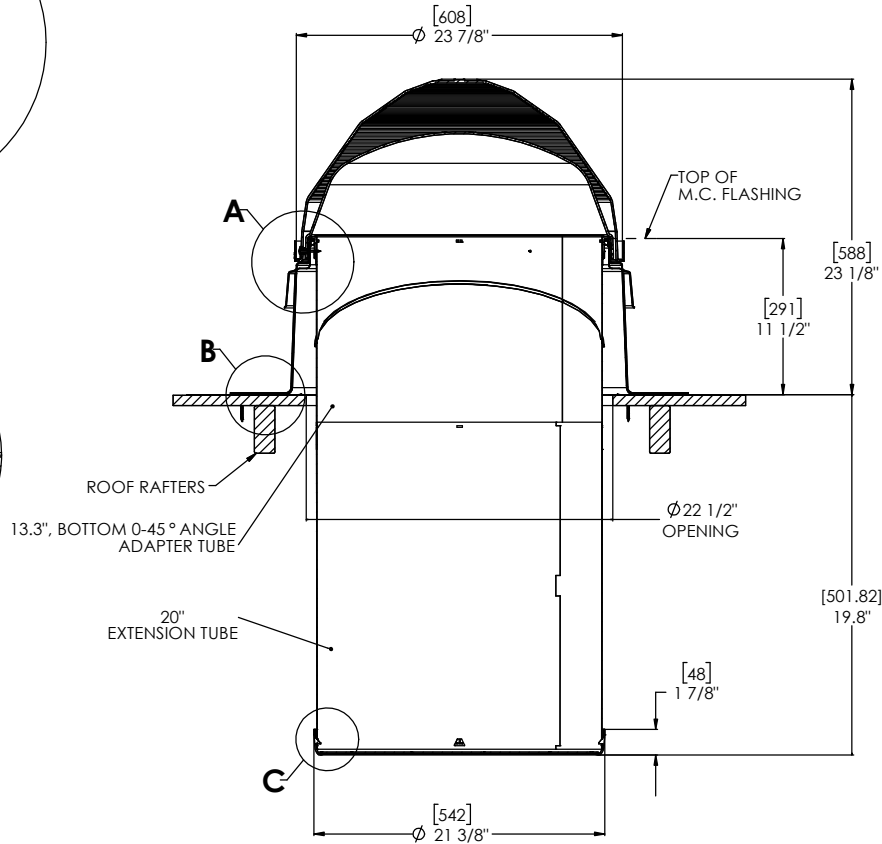
**DETAIL A**  
**SCALE 3 : 1**



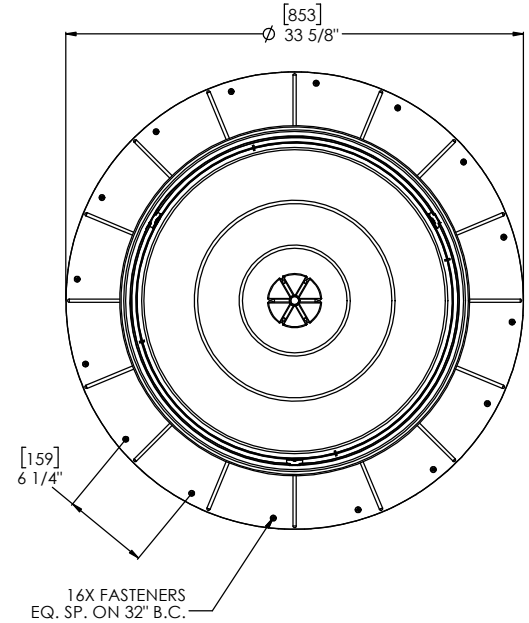
**DETAIL B**  
**SCALE 3 : 1**



**DETAIL C**  
**SCALE 3 : 1**



**FULL SECTION**  
**SCALE 1 : 1**



**TOP VIEW**  
**SCALE 1 : 1**

**NOTES:**

1. STRUCTURAL ELEMENTS (PLYWOOD, RAFTERS, DRYWALL ETC.) BY OTHERS & SHOWN FOR REFERENCE ONLY.
2. ALL TUBE JOINTS & SEAMS TAPED WITH 2" FOIL TAPE (NOT SHOWN).
3. DIMENSIONS IN BRACKETS ARE METRIC UNLESS OTHERWISE SPECIFIED.
4. 6" MIN CLEARANCE SHOULD BE MAINTAINED FROM ALL SOLATUBE COMPONENTS AND OTHER PLENUM COMPONENTS.

UNLESS OTHERWISE SPECIFIED: DIMENSIONS ARE IN INCHES TOLERANCES: ANGULAR: ±0.5° X ± .1 XX ± .02 XXX ± .005		SOLATUBE INTERNATIONAL, INC. COPYRIGHT 2014 WWW.SOLATUBE.COM		 2215 OAK RIDGE WAY COSTA MESA, CALIFORNIA 92626-1041 PH (714) 937-4400	
MATERIAL -	DRAWN BY STEVENS	DATE 9/19/16	<b>750 DS (21") SELF FLASHING 11"</b> <b>AA, MCF, OPEN CEILING</b>		
FINISH -	CHECKED BY -	DATE -	DWG. NO. <b>750DS-O-DA-F11-MCF-E1-TA</b>	REV <b>2</b>	
DO NOT SCALE DRAWING	APPROVED BY -	DATE -	SCALE 1:1		SHEET 0F 1