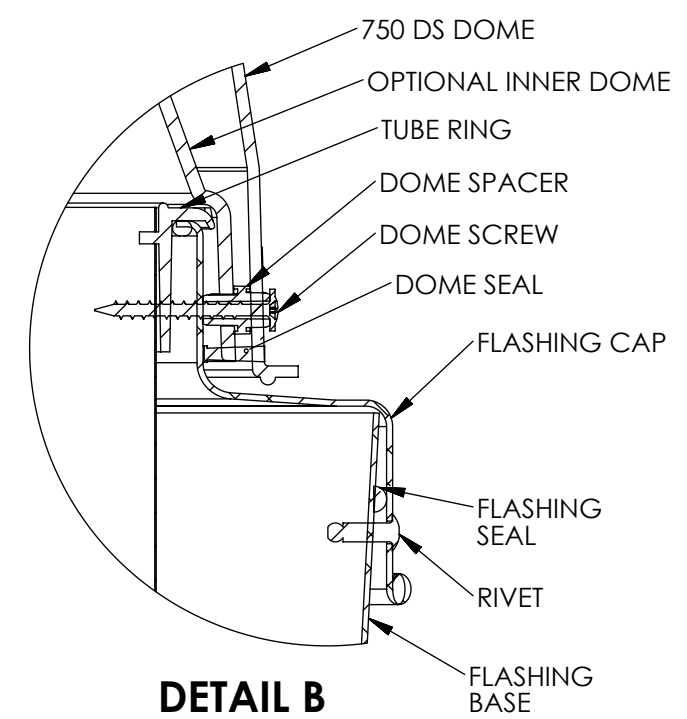


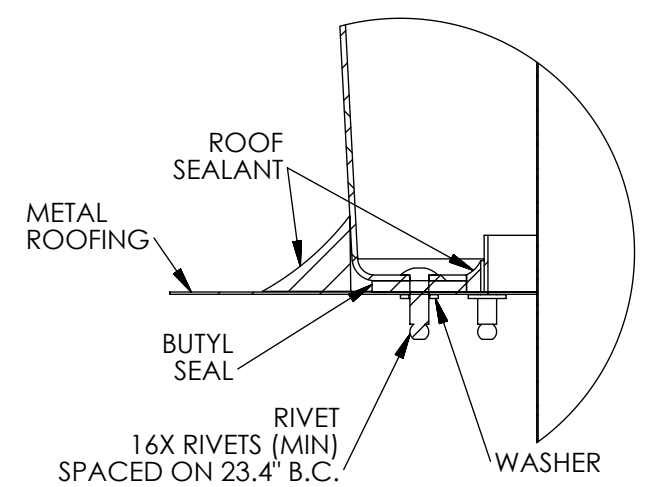
**SOLATUBE 750 DS-C
(21 IN/530 MM)
METAL ROOF FLASHING SUSPENDED CEILING
OPTIONAL INNER DOME**

D
C
B
A

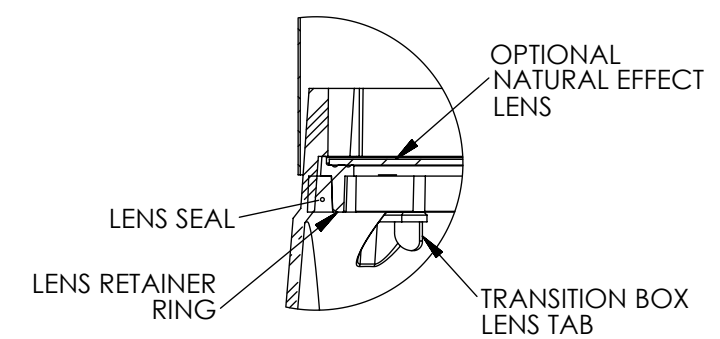
D
C
B
A



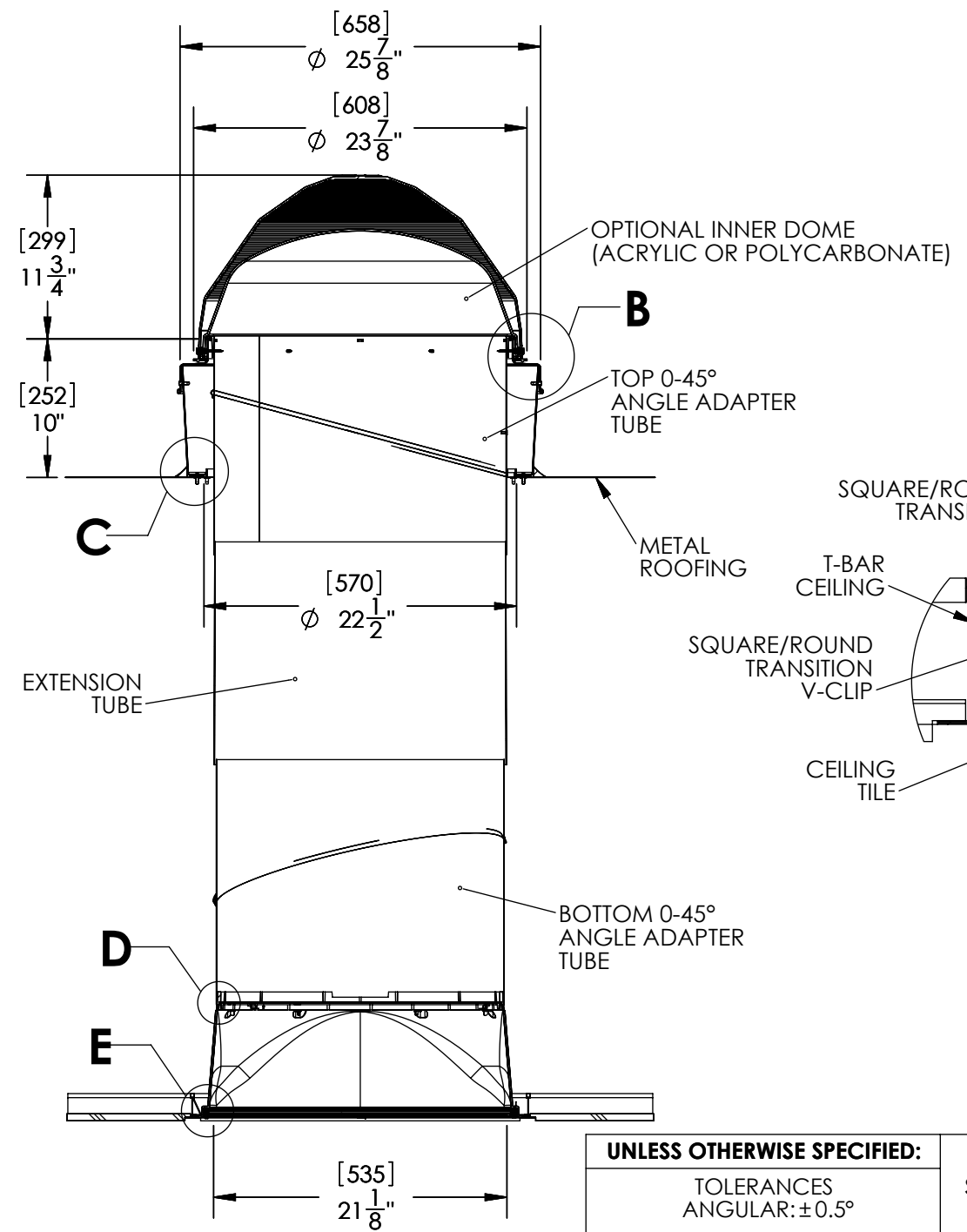
**DETAIL B
SCALE 1 : 6**



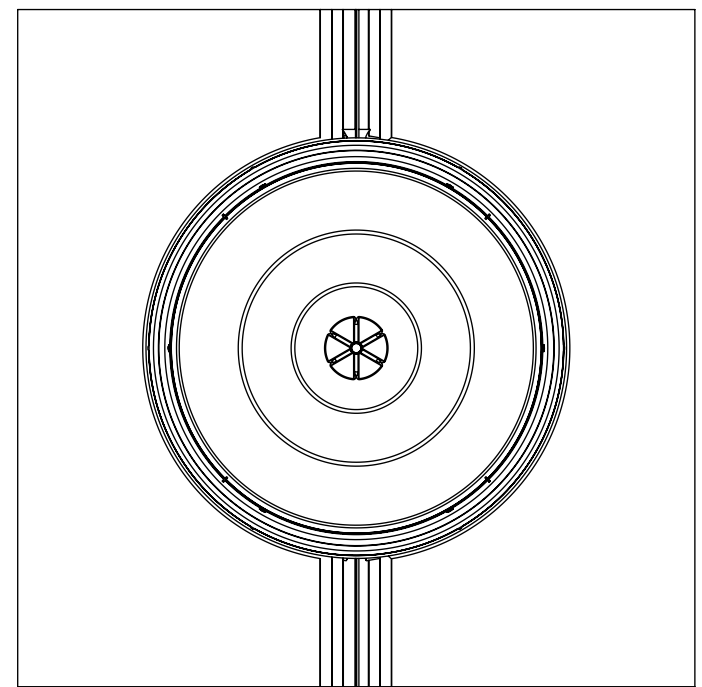
**DETAIL C
SCALE 1 : 6**



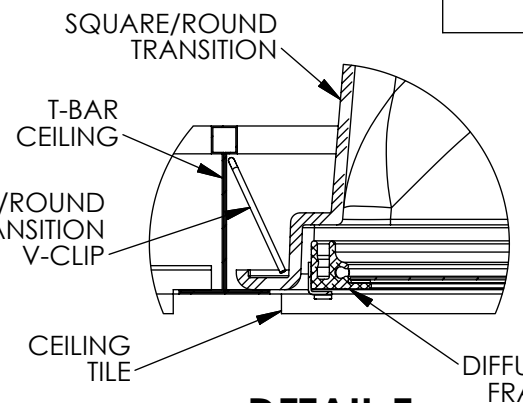
**DETAIL D
SCALE 1 : 6**



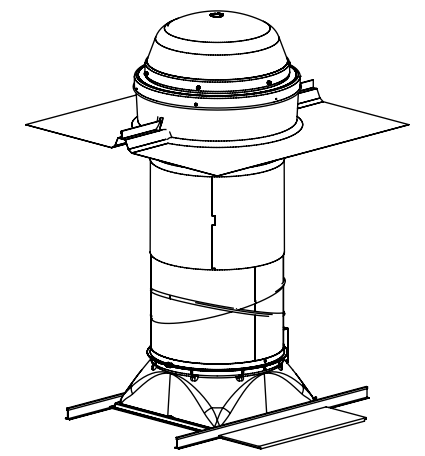
FULL SECTION



TOP VIEW




**DETAIL E
SCALE 1 : 6**



- NOTES:**
1. STRUCTURAL ELEMENTS (ROOFING, RAFTERS, DRYWALL, ETC) BY OTHERS & SHOWN FOR REFERENCE ONLY
 2. ALL TUBE JOINTS & SEAMS TAPED WITH 2" FOIL TAPE (NOT SHOWN)
 3. MINIMUM ROOF SLOPE 2.4 DEGREES
 4. DIMENSIONS IN BRACKETS ARE METRIC UNLESS OTHERWISE SPECIFIED.
 5. 6" MIN CLEARANCE SHOULD BE MAINTAINED FROM ALL SOLATUBE COMPONENTS AND OTHER PLENUM COMPONENTS.

| | | |
|---|-------------|---------|
| UNLESS OTHERWISE SPECIFIED: | | |
| TOLERANCES ANGULAR: ±0.5° | | |
| INCH .X ± .10 | | |
| SOLATUBE INTERNATIONAL, INC. COPYRIGHT 2011 WWW.SOLATUBE.COM | | |
| MATERIAL | DRAWN BY | DATE |
| -- | STEVENS | 2/15/10 |
| FINISH | CHECKED BY | DATE |
| -- | -- | -- |
| DO NOT SCALE DRAWING | APPROVED BY | DATE |
| -- | -- | -- |



SOLATUBE
2210 OAK RIDGE WAY
VISTA, CALIFORNIA 92081-8341
PH (760) 597-4400

| | | |
|--|--|------------------------|
| TITLE: 750 DS-C METAL ROOF FLSHG./SUSPENDED CEILING | | |
| SIZE B | DWG. NO. WEB-750-FSM-SC | REV 4 |
| UNITS: INCH [MM] | SCALE: 1:12 | SHEET 1 OF 1 |

8 7 6 5 4 3 2 1

8 7 6 5 4 3 2 1