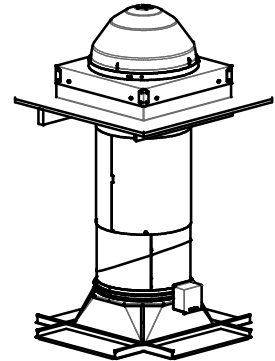
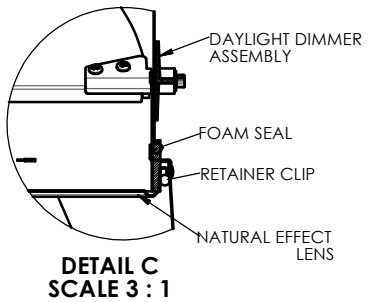
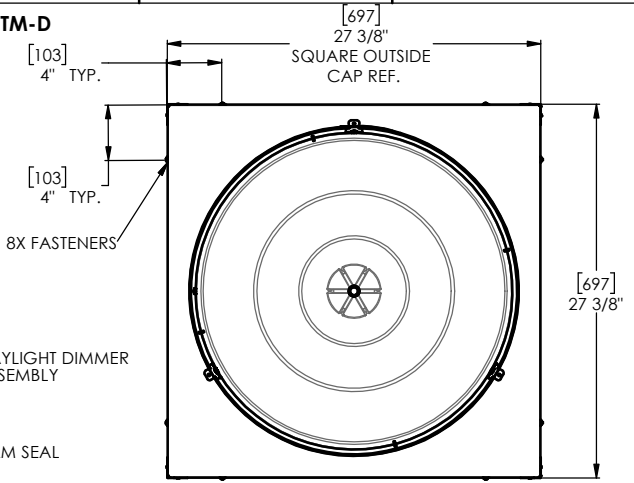


**SOLATUBE 750DS-C-DAI-FC-AK-ES-TM-D
(21 IN / 530 MM)
CURB CAP
SUSPENDED CEILING WITH
SOFTLIGHT EXTENSION TUBE,
& METAL TRANSITION BOX**



- NOTES:
1. STRUCTURAL ELEMENTS (PLYWOOD, RAFTERS, DRYWALL ETC.) BY OTHERS & SHOWN FOR REFERENCE ONLY.
 2. ALL TUBE JOINTS & SEAMS TAPED WITH 2" FOIL TAPE (NOT SHOWN).
 3. DIMENSIONS IN BRACKETS ARE METRIC UNLESS OTHERWISE SPECIFIED.
 4. 6" MIN CLEARANCE SHOULD BE MAINTAINED FROM ALL SOLATUBE COMPONENTS AND OTHER PLENUM COMPONENTS.
 5. 30" MIN. HEIGHT NEEDED FOR TRANSITION BOX.
 6. ONE (1) SOFTLIGHT EXTENSION TUBE PER DAYLIGHTING SYSTEM. MUST INSTALL AS FINAL EXTENSION TUBE PRIOR TO THE BOTTOM (ANGLE) TUBE.

UNLESS OTHERWISE SPECIFIED:		SOLATUBE INTERNATIONAL INC. COPYRIGHT 2013 WWW.SOLATUBE.COM		 2015 DAK ROOPE WAY DUBLIN, CALIFORNIA 94568-6341 PH (925) 937-4400	
DIMENSION TOLERANCE FRACTIONS ± 1/4" DASH MILLIMETER X ± 1 [X] ± 2.5 XX ± .06 [XX] ± 1.5		DRAWN BY STEVENS	DATE 3/21/19	TITLE: 750 DS-C CURB CAP SUSPENDED CEILING	
MATERIAL -	CHECKED BY -	APPROVED BY -	DATE -	SIZE D	DWG. NO. 750DS-C-DAI-FC-AK-ES-TM-D
FINISH -	DO NOT SCALE DRAWING	SCALE: 1:1	REV 3	SHEET 1 OF 1	