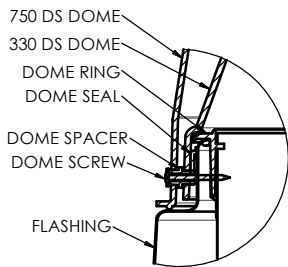
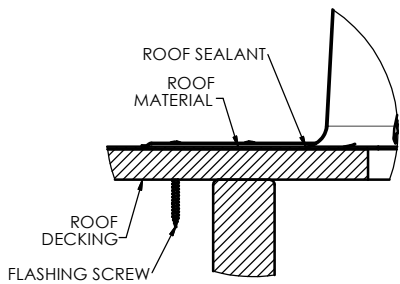


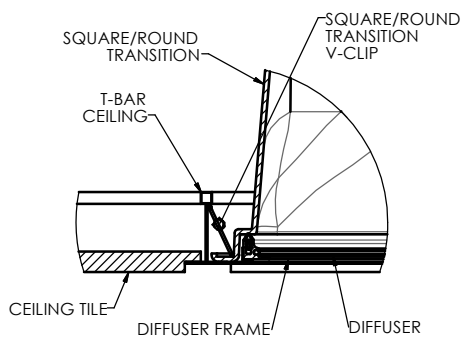
**SOLATUBE 750DS-C-SF-TIP-SC
(21 IN / 530 MM)
8 INCH SELF FLASHING
SUSPENDED CEILING W/THERMAL INSULATION PANEL**



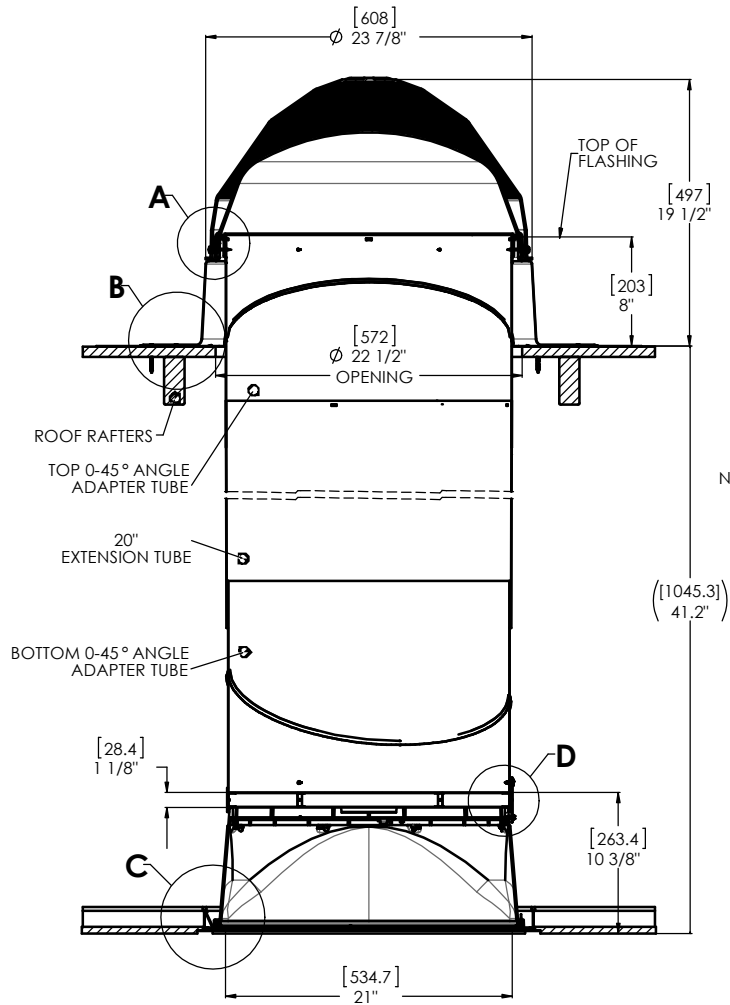
**DETAIL A
SCALE 3 : 1**



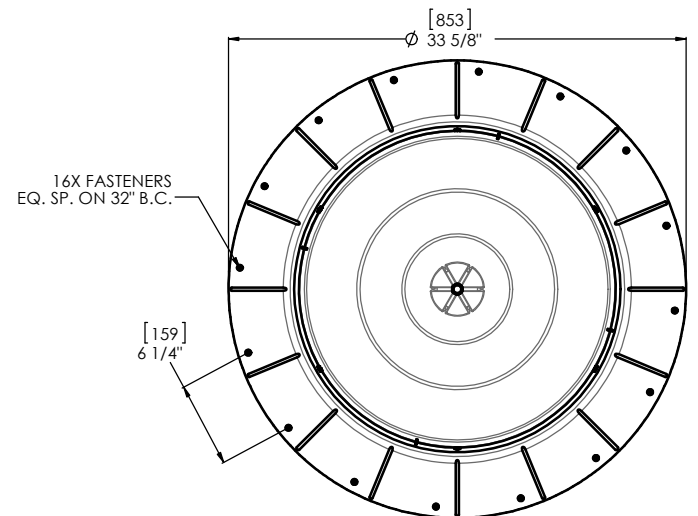
**DETAIL B
SCALE 3 : 1**



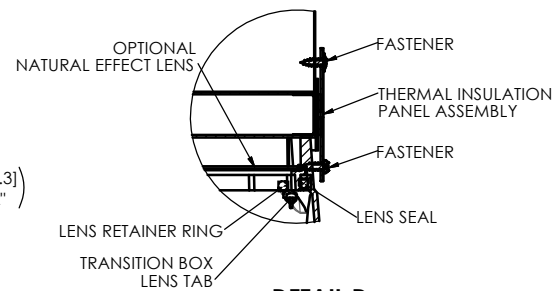
**DETAIL C
SCALE 3 : 1**



**FULL SECTION
SCALE 1:1**



**TOP VIEW
SCALE 1:1**



**DETAIL D
SCALE 3 : 1**

NOTES:

1. STRUCTURAL ELEMENTS (PLYWOOD, RAFTERS, DRYWALL ETC.) BY OTHERS & SHOWN FOR REFERENCE ONLY.
2. ALL TUBE JOINTS & SEAMS TAPED WITH 2" FOIL TAPE (NOT SHOWN).
3. DIMENSIONS IN BRACKETS ARE METRIC UNLESS OTHERWISE SPECIFIED.
4. 6" MIN CLEARANCE SHOULD BE MAINTAINED FROM ALL SOLATUBE COMPONENTS AND OTHER PLENUM COMPONENTS.

UNLESS OTHERWISE SPECIFIED: DIMENSIONS ARE IN INCHES TOLERANCES: ANGULAR: ±0.5° X ± .1 XX ± .02 XXX ± .005		SOLATUBE INTERNATIONAL, INC. COPYRIGHT 2015 WWW.SOLATUBE.COM		 2215 OAK RIDGE WAY BOSTA, CALIFORNIA 92021-9341 PH (760) 937-4400	
MATERIAL	DRAWN BY STEVENS	DATE 8/30/15	TITLE: 750 DS (21") SELF FLASHING SUSPENDED CEILING		
FINISH	CHECKED BY	DATE	DWG. NO. 750DS-C-SF-TIP-SC		
DO NOT SCALE DRAWING	APPROVED BY	DATE	SCALE 1:1	REV 2	SHEET 1 OF 1