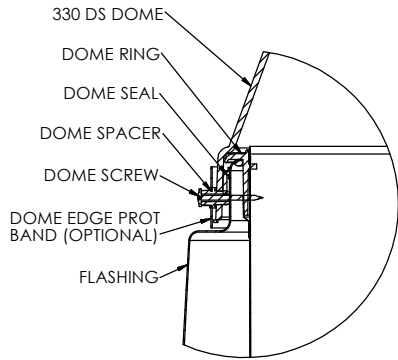
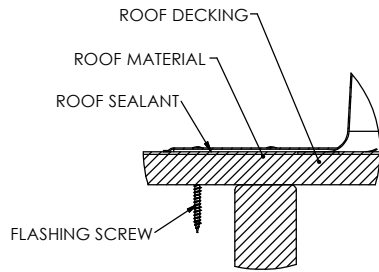


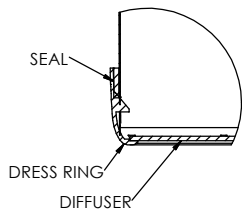
**SOLATUBE 330DS-O-DA-F8-E1
(21 IN / 530 MM)
8 INCH SELF FLASHING
EXTENSION TUBE ONLY - OPEN CEILING**



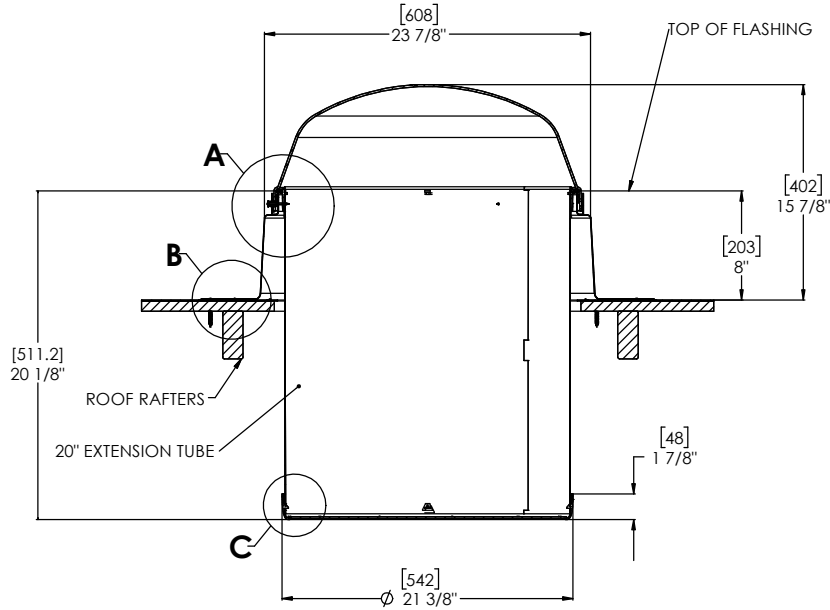
**DETAIL A
SCALE 3 : 1**



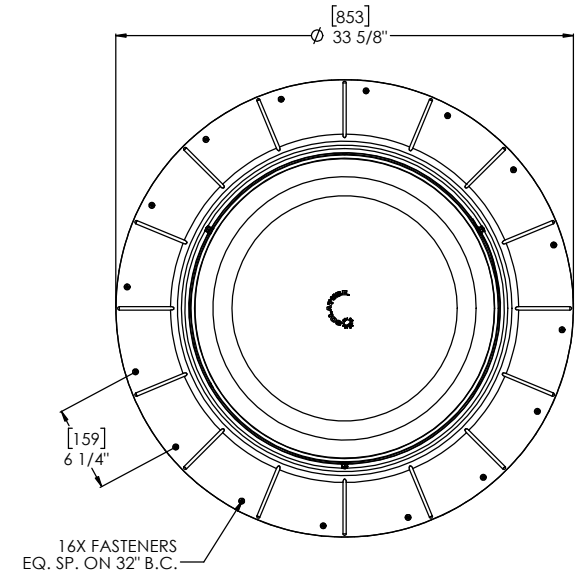
**DETAIL B
SCALE 3 : 1**



**DETAIL C
SCALE 3 : 1**




**FULL SECTION
SCALE 1:1**



**TOP VIEW
SCALE 1:1**

NOTES:

1. STRUCTURAL ELEMENTS (PLYWOOD, RAFTERS, DRYWALL ETC.) BY OTHERS & SHOWN FOR REFERENCE ONLY.
2. ALL TUBE JOINTS & SEAMS TAPED WITH 2" FOIL TAPE (NOT SHOWN).
3. DIMENSIONS IN BRACKETS ARE METRIC UNLESS OTHERWISE SPECIFIED.
4. 6" MIN CLEARANCE SHOULD BE MAINTAINED FROM ALL SOLATUBE COMPONENTS AND OTHER PLENUM COMPONENTS.

UNLESS OTHERWISE SPECIFIED:		SOLATUBE INTERNATIONAL, INC. COPYRIGHT 2014 WWW.SOLATUBE.COM		 <small>2215 OAK RIDGE WAY WESTLAKE, CALIFORNIA 92091-9341 PH (760) 597-4400</small>	
DIMENSIONS ARE IN INCHES TOLERANCES: X ± .1 XX ± .02 XXX ± .005		TITLE:		330 DS (21") SELF FLASHING 8" OPEN CEILING	
MATERIAL	DRAWN BY	DATE	DWG. NO.	REV	
-	STEVENS	3/29/17	330DS-O-DA-F8-E1	2	
FINISH	CHECKED BY	DATE	SCALE 1:1		
-	-	-			
DO NOT SCALE DRAWING	APPROVED BY	DATE			SHEET 1 OF 1
	-	-			