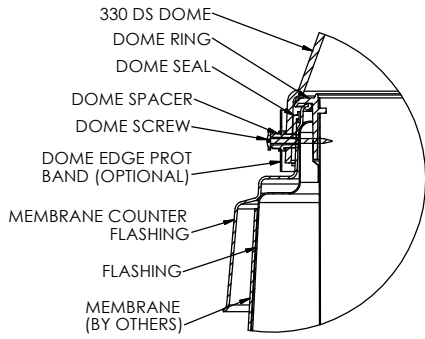
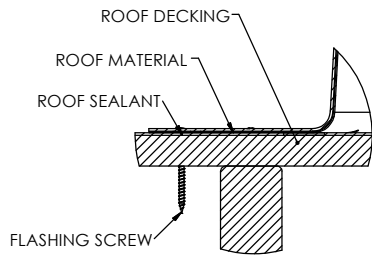


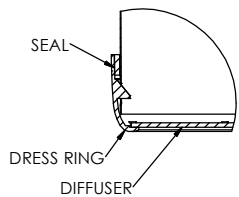
SOLATUBE 330DS-O-DA-F8-MCF-E1
(21 IN / 530 MM)
8 INCH SELF FLASHING W/ MEMBRANE COUNTER FLASHING
EXTENSION TUBE ONLY - OPEN CEILING



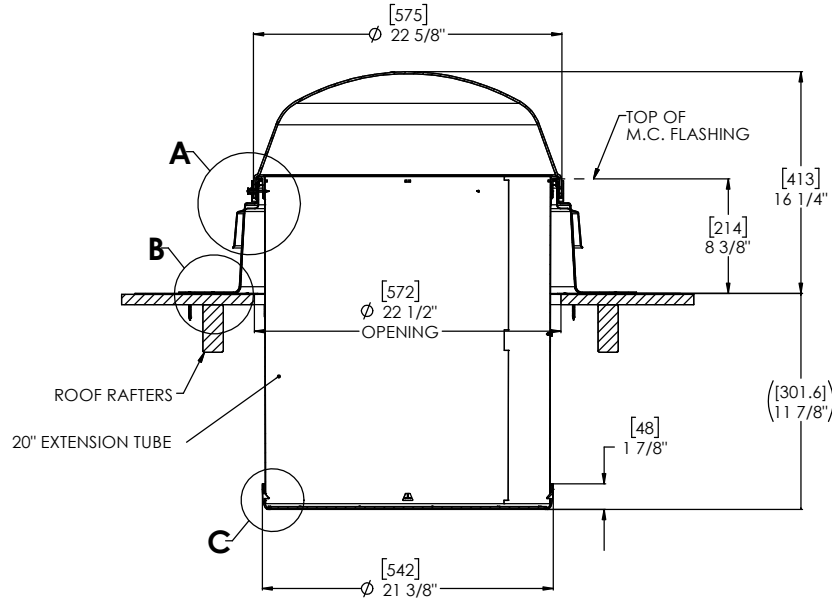
DETAIL A
SCALE 3 : 1



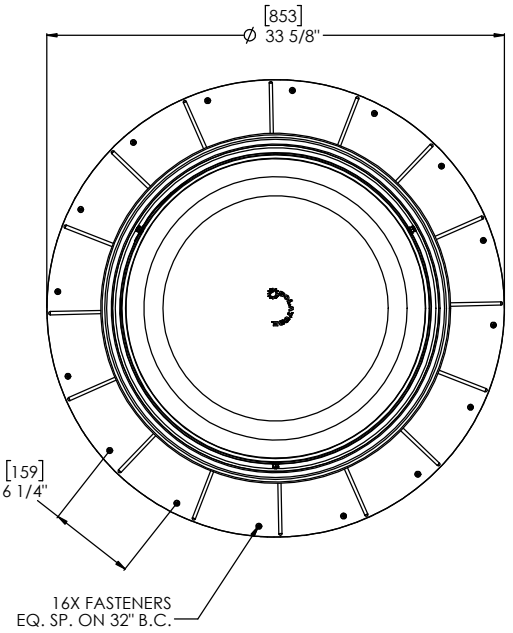
DETAIL B
SCALE 3 : 1



DETAIL C
SCALE 3 : 1



FULL SECTION
SCALE 1:1



TOP VIEW
SCALE 1:1

NOTES:

1. STRUCTURAL ELEMENTS (PLYWOOD, RAFTERS, DRYWALL ETC.) BY OTHERS & SHOWN FOR REFERENCE ONLY.
2. ALL TUBE JOINTS & SEAMS TAPED WITH 2" FOIL TAPE (NOT SHOWN).
3. DIMENSIONS IN BRACKETS ARE METRIC UNLESS OTHERWISE SPECIFIED.
4. 6" MIN CLEARANCE SHOULD BE MAINTAINED FROM ALL SOLATUBE COMPONENTS AND OTHER PLENUM COMPONENTS.

| | | | | | |
|---|---------------------|--|-----------------------------|--|--|
| UNLESS OTHERWISE SPECIFIED: | | SOLATUBE INTERNATIONAL, INC. COPYRIGHT 2014 WWW.SOLATUBE.COM | | 2215 OAK RIDGE WAY DUBLIN, CALIFORNIA 94568-1041 PH (925) 937-4400 | |
| DIMENSIONS ARE IN INCHES TOLERANCES: ANGULAR: ±0.5° X ± .1 XX ± .02 XXX ± .005 | | TITLE: | | 330 DS (21") SELF FLASHING 8" | |
| MATERIAL | DRAWN BY STEVENS | DATE | MCF, OPEN CEILING | | |
| FINISH | CHECKED BY | DATE | DWG. NO. | REV | |
| DO NOT SCALE DRAWING | APPROVED BY | DATE | 330DS-O-DA-F8-MCF-E1 | 2 | |
| | | | SCALE 1:1 | SHEET 0F 1 | |