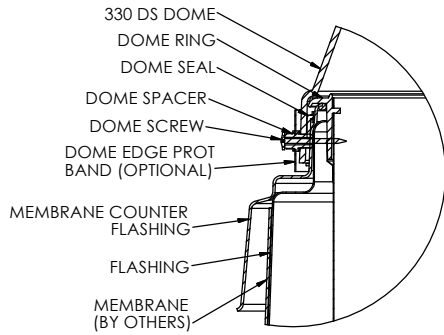
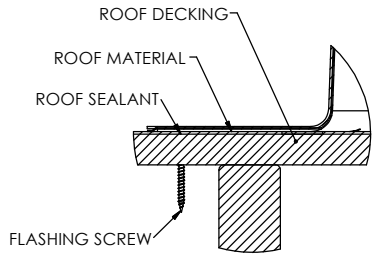


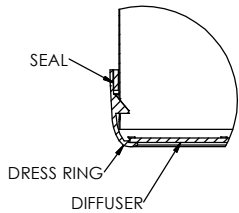
**SOLATUBE 330DS-O-DA-F11-MCF-E1-TA  
(21 IN / 530 MM)  
11 INCH SELF FLASHING W/ MEMBRANE COUNTER FLASHING  
ANGLE ADAPTER - OPEN CEILING**



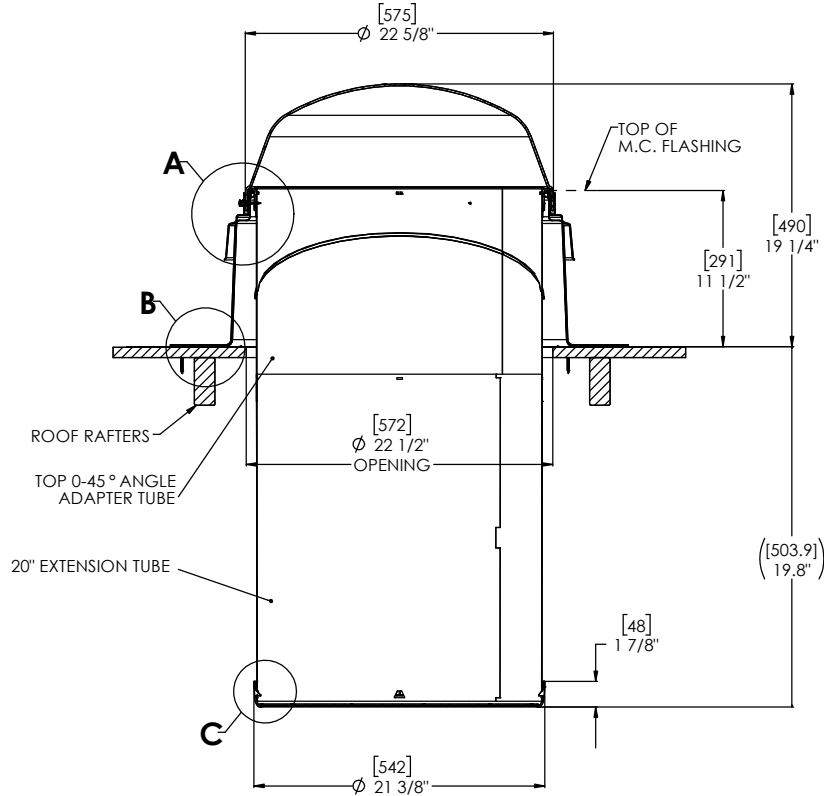
**DETAIL A  
SCALE 3 : 1**



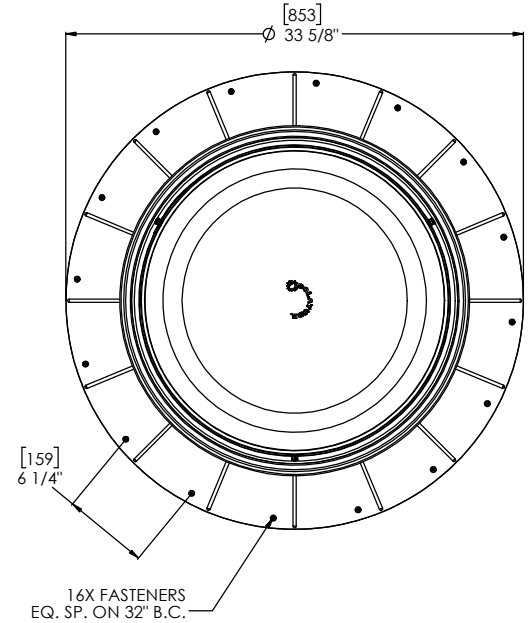
**DETAIL B  
SCALE 3 : 1**



**DETAIL C  
SCALE 3 : 1**



**FULL SECTION  
SCALE 1:1**



**TOP VIEW  
SCALE 1:1**

**NOTES:**

1. STRUCTURAL ELEMENTS (PLYWOOD, RAFTERS, DRYWALL ETC.) BY OTHERS & SHOWN FOR REFERENCE ONLY.
2. ALL TUBE JOINTS & SEAMS TAPED WITH 2" FOIL TAPE (NOT SHOWN).
3. DIMENSIONS IN BRACKETS ARE METRIC UNLESS OTHERWISE SPECIFIED.
4. 6" MIN CLEARANCE SHOULD BE MAINTAINED FROM ALL SOLATUBE COMPONENTS AND OTHER PLENUM COMPONENTS.

UNLESS OTHERWISE SPECIFIED: DIMENSIONS ARE IN INCHES TOLERANCES: ANGULAR: ±0.5° X ± .1 XX ± .02 XXX ± .005		SOLATUBE INTERNATIONAL, INC. COPYRIGHT 2016 WWW.SOLATUBE.COM		 2215 OAK RIDGE WAY WEST CALIFORNIA 92081-9341 PH (760) 597-4400	
MATERIAL	DRAWN BY STEVENS	DATE 9/19/16	TITLE: <b>330 DS (21") SELF FLASHING 11" MCF, OPEN CEILING</b>		
FINISH	CHECKED BY	DATE	DWG. NO.	REV	
DO NOT SCALE DRAWING	APPROVED BY	DATE	<b>330DS-O-DA-F11-MCF-E1-TA</b>	<b>2</b>	
			SCALE 1:1		SHEET 0F 1