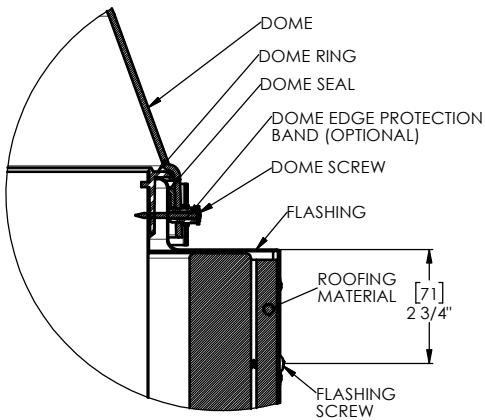
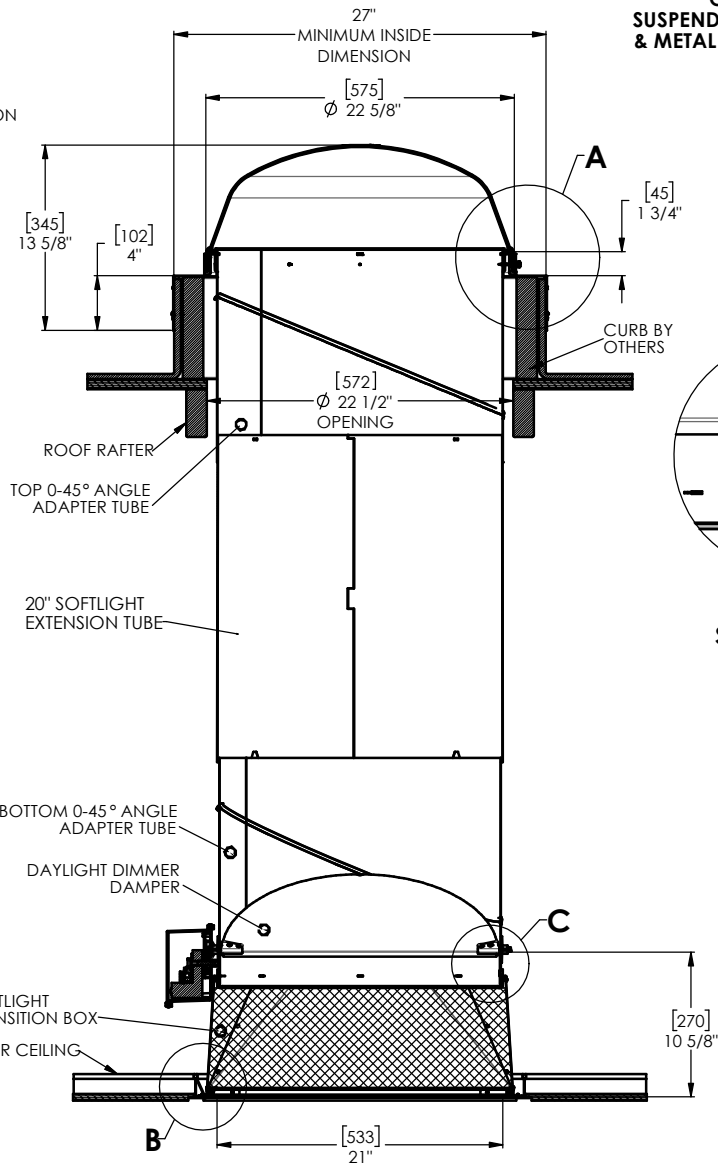


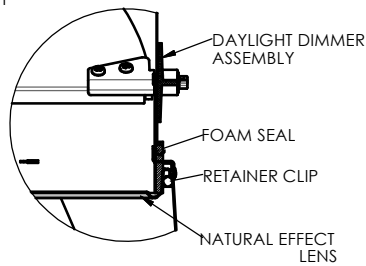
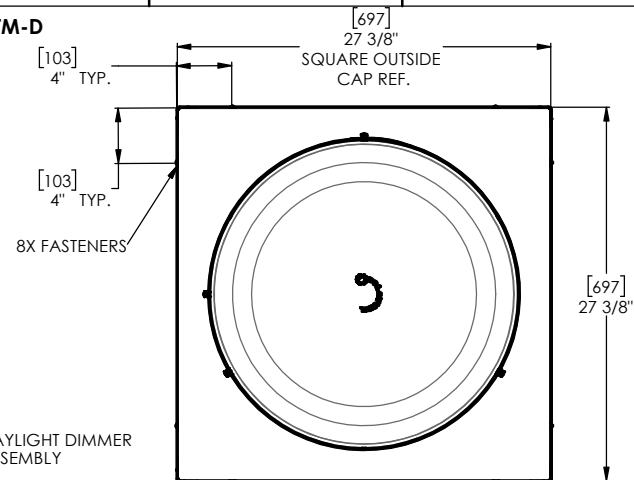
**SOLATUBE 330DS-C-DA-FC-AK-TM-D**  
**(21 IN / 530 MM)**  
**CURB CAP**  
**SUSPENDED CEILING WITH,**  
**& METAL TRANSITION BOX**



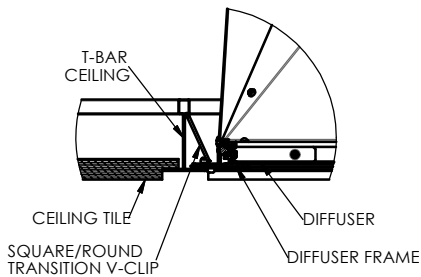
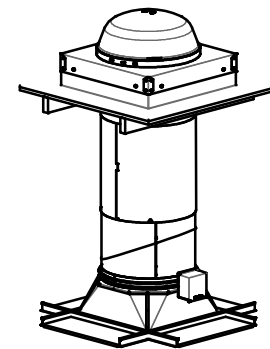
**DETAIL A**  
**SCALE 3 : 1**



**FULL SECTION**  
**SCALE 1:1**



**DETAIL C**  
**SCALE 3 : 1**



**DETAIL B**  
**SCALE 3 : 1**

**NOTES:**

1. STRUCTURAL ELEMENTS (PLYWOOD, RAFTERS, DRYWALL ETC.) BY OTHERS & SHOWN FOR REFERENCE ONLY.
2. ALL TUBE JOINTS & SEAMS TAPED WITH 2" FOIL TAPE (NOT SHOWN).
3. DIMENSIONS IN BRACKETS ARE METRIC UNLESS OTHERWISE SPECIFIED.
4. 6" MIN CLEARANCE SHOULD BE MAINTAINED FROM ALL SOLATUBE COMPONENTS AND OTHER PLENUM COMPONENTS.
5. 30" MIN. HEIGHT NEEDED FOR TRANSITION BOX.
6. ONE (1) SOFTLIGHT EXTENSION TUBE PER DAYLIGHTING SYSTEM. MUST INSTALL AS FINAL EXTENSION TUBE PRIOR TO THE BOTTOM (ANGLE) TUBE.

UNLESS OTHERWISE SPECIFIED:		SOLATUBE INTERNATIONAL, INC. COPYRIGHT 2013 WWW.SOLATUBE.COM		 2010 DAK ROOPE WAY DUBLIN, CALIFORNIA 94568-0341 PH (925) 937-4400	
DIMENSION TOLERANCE FRACTIONS ± 1/4" SICH MILLIMETER X ± 1 [X] ± 2.5 XX ± .06 [XX] ± 1.5		DRAWN BY STEVENS	DATE 3/21/19	TITLE: <b>330 DS-C CURB CAP</b> <b>SUSPENDED CEILING</b>	
MATERIAL -	CHECKED BY -	APPROVED BY -	DATE -	SIZE D	DWG. NO. 330DS-C-DA-FC-AK-TM-D
FINISH -	DO NOT SCALE DRAWING	DATE -	DATE -	REV 2	SHEET 1 OF 1