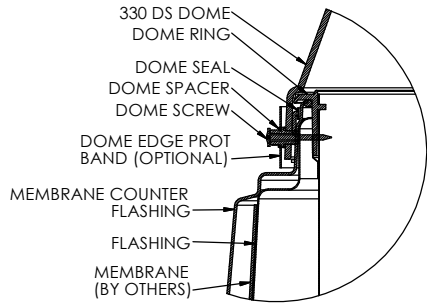
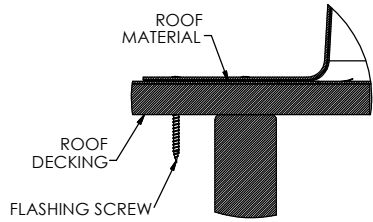


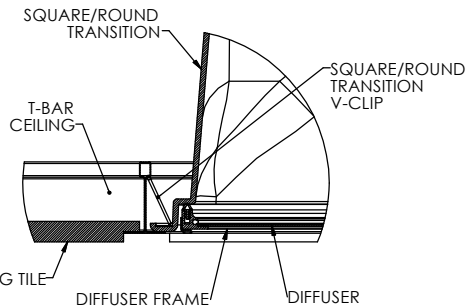
**SOLATUBE 330DS-C-DA-F8-MCF-AK-E1**  
**(21 IN / 530 MM)**  
**8 INCH SELF FLASHING W/ MEMBRANE COUNTER FLASHING**  
**SUSPENDED CEILING - ANGLE ADAPTER**



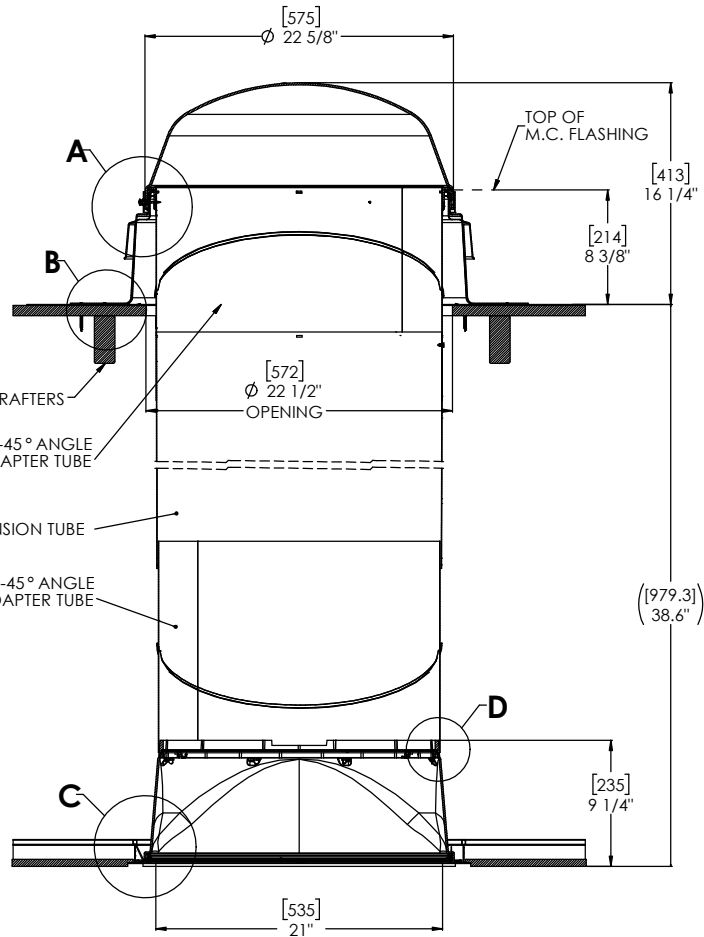
**DETAIL A**  
**SCALE 3 : 1**



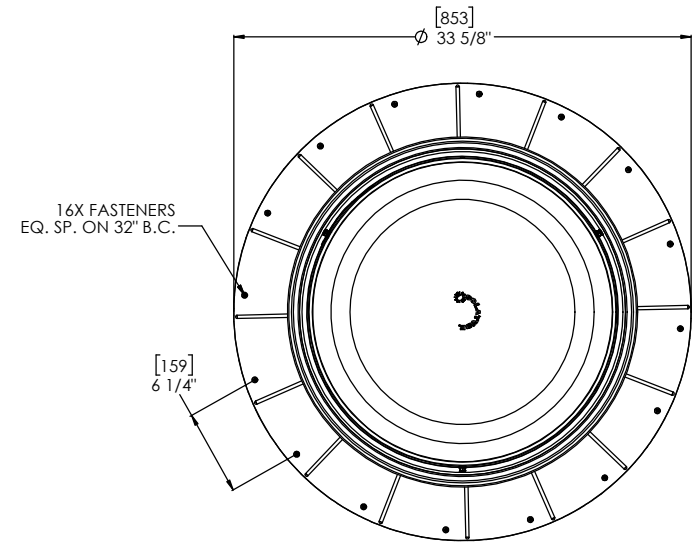
**DETAIL B**  
**SCALE 3 : 1**



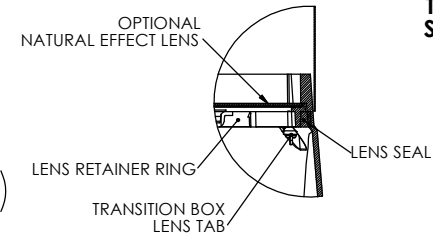
**DETAIL C**  
**SCALE 3 : 1**



**FULL SECTION**  
**SCALE 1:1**



**TOP VIEW**  
**SCALE 1:1**



**DETAIL D**  
**SCALE 3 : 1**

**NOTES:**

1. STRUCTURAL ELEMENTS (PLYWOOD, RAFTERS, DRYWALL ETC.) BY OTHERS & SHOWN FOR REFERENCE ONLY.
2. ALL TUBE JOINTS & SEAMS TAPED WITH 2" FOIL TAPE (NOT SHOWN).
3. DIMENSIONS IN BRACKETS ARE METRIC UNLESS OTHERWISE SPECIFIED.
4. 6" MIN CLEARANCE SHOULD BE MAINTAINED FROM ALL SOLATUBE COMPONENTS AND OTHER PLENUM COMPONENTS.

UNLESS OTHERWISE SPECIFIED: DIMENSIONS ARE IN INCHES TOLERANCES: ANGULAR: ±0.5° X ± .1 XX ± .02 XXX ± .005		SOLATUBE INTERNATIONAL, INC. COPYRIGHT 2016 WWW.SOLATUBE.COM		 2215 OAK RIDGE WAY COSTA MESA, CALIFORNIA 92626-1041 PH (714) 937-4400	
MATERIAL	DRAWN BY STEVENS	DATE 8/30/15	TITLE: <b>330 DS (21") SELF FLASHING 8"</b> <b>MCF, AA, SUSPENDED CEILING</b>		
FINISH	CHECKED BY	DATE	DWG. NO.		REV
DO NOT SCALE DRAWING	APPROVED BY	DATE	<b>330DS-C-DA-F8-MCF-AK-E1</b>		<b>2</b>
SCALE 1:1			SHEET 1 OF 1		