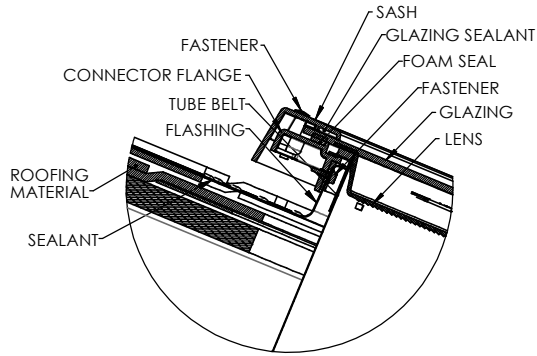
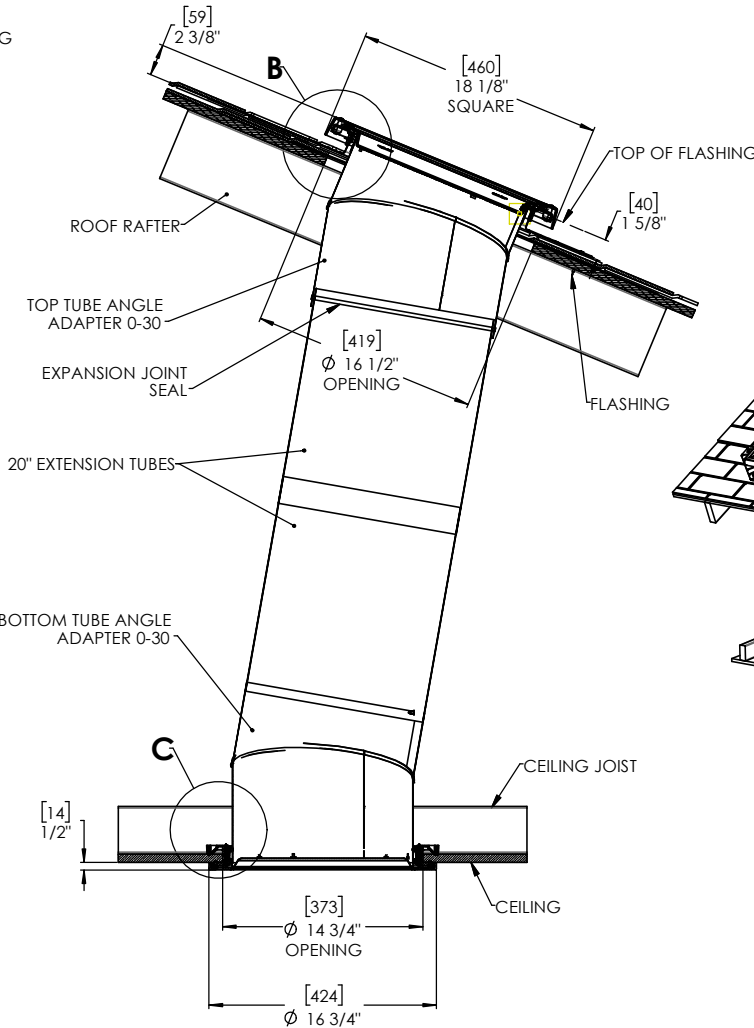


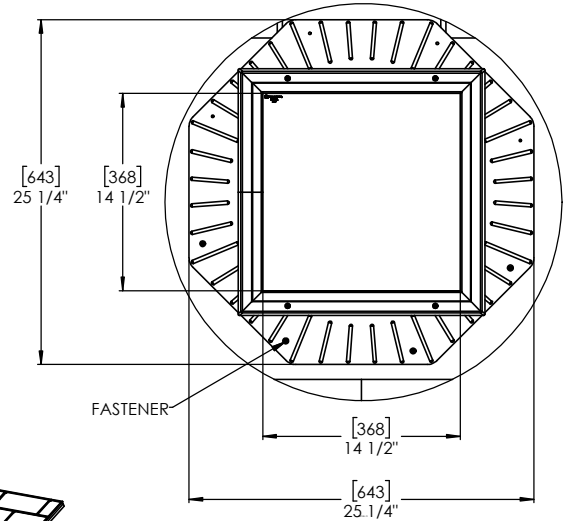
**SOLATUBE 290DS-LOW-F1.5-HC
(14 IN / 355 MM)
LOW PROFILE SELF-FLASHING
HARD CEILING**



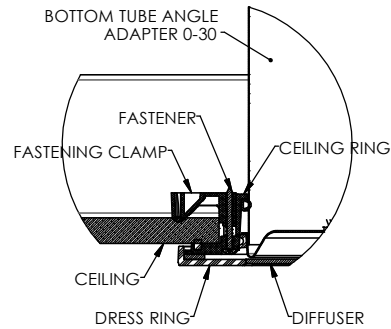
**DETAIL B
SCALE 3 : 1**



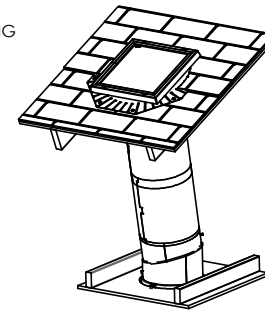
**FULL SECTION
SCALE 1:1**



TOP VIEW



**DETAIL C
SCALE 3 : 1**



- NOTES:
1. STRUCTURAL ELEMENTS (PLYWOOD, RAFTERS, DRYWALL ETC. BY OTHERS & SHOWN FOR REFERENCE ONLY.
 2. ALL TUBE JOINTS & SEAMS TAPED WITH 2" FOIL TAPE (NOT SHOWN).
 3. DIMENSIONS IN BRACKETS ARE METRIC UNLESS OTHERWISE SPECIFIED.
 4. 6" MIN CLEARANCE SHOULD BE MAINTAINED FROM ALL SOLATUBE COMPONENTS AND OTHER PLENUM COMPONENTS.
 5. THE 290 DS LOW PROFILE IS ONLY APPROVED FOR RESIDENTIAL ROOFS WITH A 3/12 PITCH OR GREATER.

UNLESS OTHERWISE SPECIFIED:		SOLATUBE INTERNATIONAL INC. COPYRIGHT 2020 WWW.SOLATUBE.COM		 2210 OAK RIDGE WAY COSTA MESA, CALIFORNIA 92626-1831 PH (714) 597-4400	
DIMENSION TOLERANCE FRACTIONS ± 1/4" INCH 1/16" MILLIMETER .015" XX ± .06 1/32" 1/32" ± 1.5		DRAWN BY STEVENS		DATE 24 APR 20	
MATERIAL -		CHECKED BY -		DATE -	
FINISH -		APPROVED BY -		DATE -	
DO NOT SCALE DRAWING				SIZE D	DWG. NO. 290DS-LOW-F1.5-HC
				SCALE: 1:1	REV 2 SHEET 1 OF 1