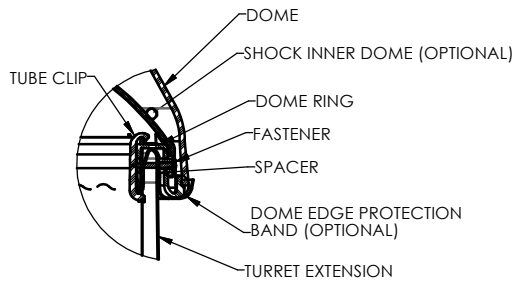
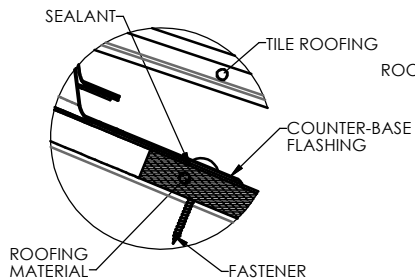


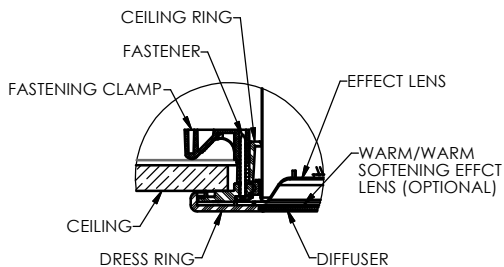
8 7 6 5 4 3 2 1



DETAIL A
SCALE 3 : 1

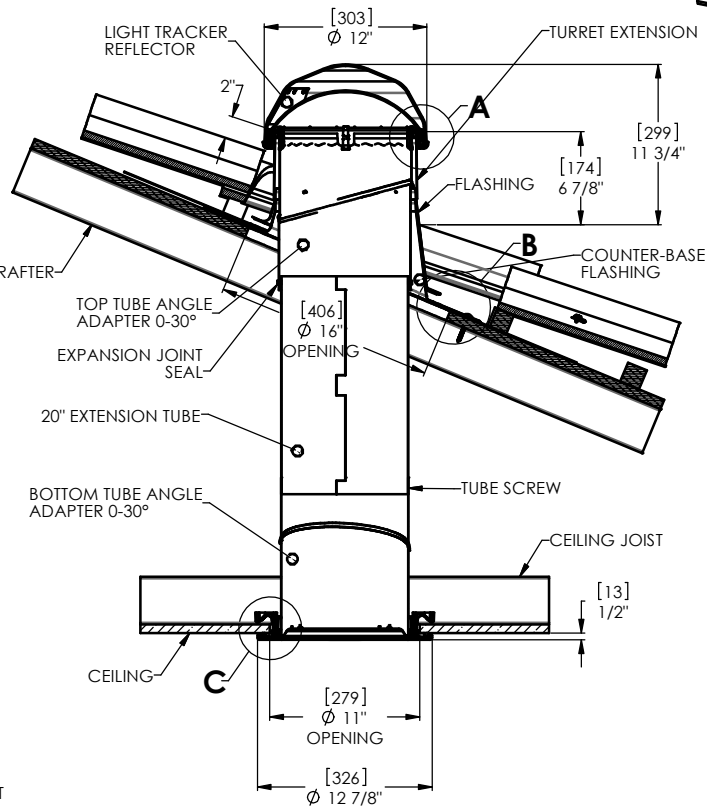


DETAIL B
SCALE 3 : 1

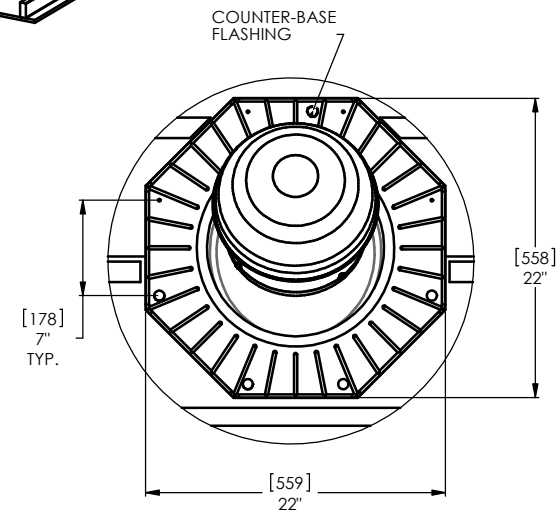
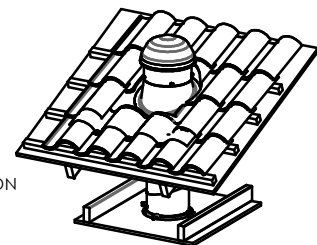


DETAIL C
SCALE 3 : 1

**SOLATUBE 160DS-TILE-HC
(10 IN / 250 MM)
PITCHED TILE FLASHING
HARD CEILING**



FULL SECTION
SCALE 1:1



DETAIL D

NOTES:

1. STRUCTURAL ELEMENTS (PLYWOOD, RAFTERS, DRYWALL ETC. BY OTHERS & SHOWN FOR REFERENCE ONLY).
2. ALL TUBE JOINTS & SEAMS TAPED WITH 2" FOIL TAPE (NOT SHOWN).
3. DIMENSIONS IN BRACKETS ARE METRIC UNLESS OTHERWISE SPECIFIED.
4. 6" MIN CLEARANCE SHOULD BE MAINTAINED FROM ALL SOLATUBE COMPONENTS AND OTHER PLENUM COMPONENTS.

UNLESS OTHERWISE SPECIFIED: DIMENSION TOLERANCE FRACTION ± 1/4" INCH X ± .1 MILLIMETER [X] ± 2.5		SOLATUBE INTERNATIONAL, INC. COPYRIGHT 2010 WWW.SOLATUBE.COM		 2210 DAK RODEE WAY COSTA MESA, CALIFORNIA 92626-5341 PH (714) 937-4400	
MATERIAL	DRAWN BY STEVENS	DATE 10/4/10	TITLE: SOLATUBE 160 DS PITCHED TILE FLASHING HARD CEILING		
FINISH	CHECKED BY	DATE	SIZE	DWG. NO. 160DS-TILE-HC	REV 1
DO NOT SCALE DRAWING	APPROVED BY	DATE	SCALE: 1:1	SHEET 1 OF 1	

8 7 6 5 4 3 2 1