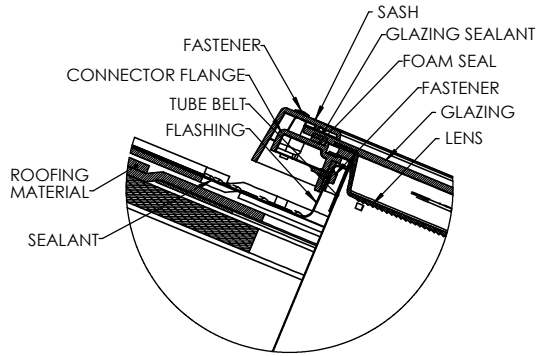
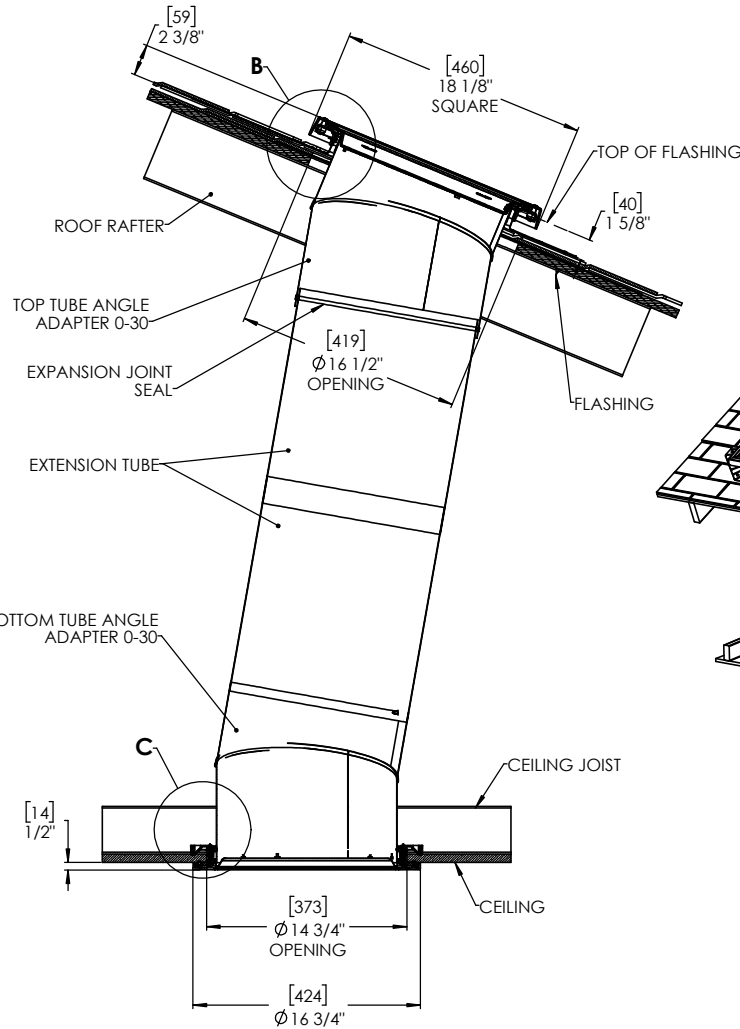


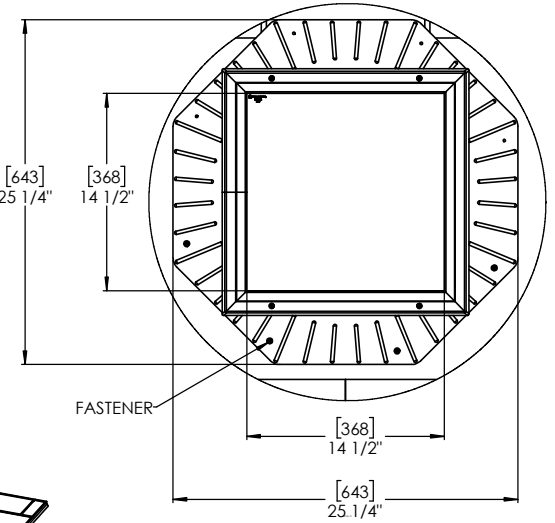
**SOLATUBE 290 DS  
(14 IN / 355 MM)  
LOW PROFILE SELF-FLASHING  
HARD CEILING**



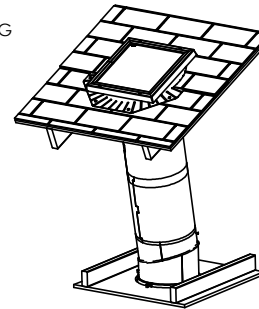
**DETAIL B  
SCALE 3 : 1**




**FULL SECTION  
SCALE 1:1**



**TOP VIEW**



- NOTES:
1. STRUCTURAL ELEMENTS (PLYWOOD, RAFTERS, DRYWALL ETC. BY OTHERS & SHOWN FOR REFERENCE ONLY).
  2. ALL TUBE JOINTS & SEAMS TAPED WITH 2" FOIL TAPE (NOT SHOWN).
  3. DIMENSIONS IN BRACKETS ARE METRIC UNLESS OTHERWISE SPECIFIED.
  4. 6" MIN CLEARANCE SHOULD BE MAINTAINED FROM ALL SOLATUBE COMPONENTS AND OTHER PLENUM COMPONENTS.
  5. THE 290 DS LOW PROFILE IS ONLY APPROVED FOR RESIDENTIAL ROOFS WITH A 3/12 PITCH OR GREATER.

UNLESS OTHERWISE SPECIFIED:		SOLATUBE INTERNATIONAL, INC. COPYRIGHT 2020 WWW.SOLATUBE.COM		 2210 OAK RIDGE HWY COSTA MESA, CALIFORNIA 92626-1841 PH (714) 597-4400	
DIMENSION TOLERANCE		DRAWN BY		TITLE:	
FRACTIONS ± 1/8"		STEVENS		SOLATUBE 290 DS	
INCHES ± 0.06		CHECKED BY		LOW PROFILE HARD CEILING	
MILLIMETER ± 0.25		DATE		DWG. NO.	
XX ± 0.06		DATE		S290DS-LOW-F1.5-HC	
FINISH		APPROVED BY		REV	
DO NOT SCALE DRAWING		DATE		1	
				SCALE: 1:1	
				SHEET 1 OF 1	

8 7 6 5 4 3 2 1

F

E

D

C

B

A

8 7 6 5 4 3 2 1