

CURB MOUNT OPERABLE SKYLIGHT			
ITEM NO.	PART NO.	DESCRIPTION	MATERIAL
1	VARIES	INSULATED GLASS ASSEMBLY	4HT10-Tg14Ar-33.2
2	VARIES	BASE FLANGE	PAINTED ALUMINUM ALLOY
3	381091	EXTRUSION SKYLIGHT BASE	RIGID PVC
4	700358	SEALANT	POLYURETHANE
5	620025	TAPE ACRYLIC FOAM	ACYLIC FOAM
6	381076	CLOSED CELL FOAM	EPDM FOAM
7	VARIES	CLEAT	PAINTED ALUMINUM ALLOY
8	700048	RIVET	ALUMINUM ALLOY
9	831162	JOINER PLATE	PAINTED ALUMINUM ALLOY
10	381083	EXTRUSION SKYLIGHT OPERABLE	RIGID PVC
11	VARIES	OPERABLE FLASH	PAINTED ALUMINUM ALLOY
12	381115	CORNER CONNECTOR	ASA
13	381121	CORNER BINDER (NOT SHOWN)	ASA
14	600235	SEAL FIN	TPE RUBBER
15	600304	SEAL HOLLOW 'D'	TPE RUBBER
16	VARIES	SCREEN	ALUMINUM / FIBERGLASS
17	720093	SCREW #8 X 1/2"	STAINLESS STEEL
18	381410	HINGE	STAINLESS STEEL
19	520050	RIVET	STEEL
20	382033	PV PANEL MOUNTING BRACKET (L)	STAINLESS STEEL
21	382028	PV PANEL MOUNTING BRACKET (R)	STAINLESS STEEL
22	381050	SKYLIGHT SOLAR PANEL ASSEMBLY	N/A
23	381208	MOTOR BRACKET	STAINLESS STEEL
24	700635	RIVET (FOR MOTOR BRACKET)	ALUMINUM
25	381130	MOTOR AND CHAIN ASSY.	N/A
26	382055	CHAIN CONNECTOR ASSY	STAINLESS STEEL
27	381320	RAIN SENSOR (NOT SHOWN)	N/A
28	381201	CLEVIS PIN	STEEL
29	381053	MOTOR COVER COATED	PAINTED STEEL

STANDARD OPERABLE SIZES (I.D.)				
PART NO.	MODEL	NOM.	DIM A	DIM B
382430	2020	1.5' x 1.5'	20.00"	20.00"
382510	2028	1.5' x 2'	20.00"	27.50"
382690	2052	1.5' x 4'	20.00"	51.50"
382730	2828	2' x 2'	27.50"	27.50"
382860	2836	2' x 3'	27.50"	36.00"
382980	2843	2' x 3.5'	27.50"	43.00"
383020	2852	2' x 4'	27.50"	51.50"
383170	3636	3' x 3'	36.00"	36.00"
383280	3652	3' x 4'	36.00"	51.50"
383350	4343	3.5' x 3.5'	43.00"	43.00"
384060	4352	3.5' x 4'	43.00"	51.50"
384110	5151	4' x 4'	51.50"	51.50"

PROJECT # 419-1203

SOLATUBE INTERNATIONAL
 2210 OAK RIDGE WAY
 VISTA, CA 92081-9341

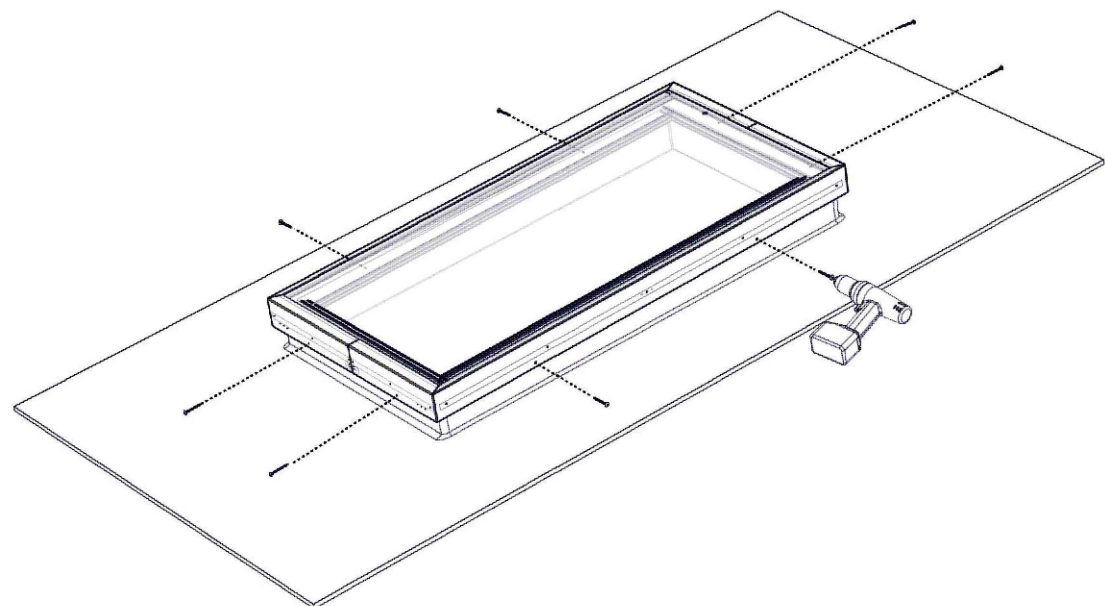
TITLE: HSE OPERABLE SERIES CURB MOUNT SKYLIGHT ELEVATIONS, SECTIONS AND BOM

PREPARED BY: RJA
 SCALE: N.T.S.
 SHEET: 2 OF 3

DATE: 4/6/2020
 DRAWING NO: SOLA0015

PTC Product Design Group, LLC
 PO Box 520775
 Las Vegas, NV 89152-0775
 Phone: 321.690.1788
 Fax: 321.690.1789
 Email: info@ptc-corp.com

Robert J. Amoruso, P.E.
 Florida P.E. No. 49752



ROOF CURB MOUNT ILLUSTRATION

SEE ANCHOR SCHEDULE TABLE FOR ANCHORAGE AND SUBSTRATE REQUIREMENTS
SEE PERIMETER ANCHOR REQUIREMENTS TABLE FOR ANCHOR QUANTITIES AND LOCATIONS

Anchor Schedule		
Substrate	Connection	Substrate Equirements and Installation Details
Steel	#10-16 TEKS Screw connecting Aluminum Base Flange to Steel	<ol style="list-style-type: none"> 1. Full Penetration + 3 Threads 2. Maximum 1/4" Shim Space 3. Minimum 20 Gauge (0.0359") thick ASTM A653 Grade 33 Steel Substrate 4. Qualifies the steel with larger thickness and higher strength
2X Wood Blocking, 2X Wood Buck, 2X Wood Framing	#10 Wood Screw connecting Aluminum Base Flange to 2x Wood Blocking	<ol style="list-style-type: none"> 1. Minimum 1-1/2" Penetration in Wood Blocking 2. Minimum AISI 1018 Steel Screw 3. Maximum 1/4" Shim Space 4. Minimum 1-1/2" thick, Minimum Spruce Pine Fir (SPF), G= 0.42 Wood Blocking Substrate
Concrete	3/16" ITW Redhead Tapcon Anchor connecting Aluminum Base Flange to Concrete	<ol style="list-style-type: none"> 1. Minimum 2" Embedment 2. Minimum 2" Edge Distance 3. Minimum 4" Spacing 4. Maximum 1/4" Shim Space 5. Minimum 6" thick, Minimum f'c = 3,000 psf Un-Cracked Normal Weight Concrete

PROJECT # 419-1203							

SOLATUBE INTERNATIONAL 2210 OAK RIDGE WAY VISTA, CA 92081-9341	TITLE: HSE OPERABLE SERIES CURB MOUNT SKYLIGHT INSTALLATION DETAILS	DATE:	4/6/2020
		DRAWING NO:	SOLA0015
DRAWN BY:	RJA	SCALE:	N.T.S.
PREPARED BY:	N.T.S.	SHEET:	3 OF 3
PTC Product Design Group, LLC PO Box 520775 Largo, FL 32707-0775 FBPE, CA, NO. 23695	Phone: 321.690.1788 Fax: 321.690.1789 Email: info@ptc-corp.com		

Perimeter Anchor Requirements for Operable Skylights at 35.09 psf		
Skylight Sizes (Feet)	Anchor Type	Number of Fasteners Needed Per Side
1.5 x 1.5 1.5 x 2 1.5 x 4 2 x 2 2 x 3 2 x 3.5 2 x 4 3 x 3 3 x 4 3.5 x 3.5 3.5 x 4	#10-16 TEKS Screw to Steel	Two (2)
	#10 Wood Screw to Wood Blocking	Two (2)
	3/16" Tapcon Anchor to Concrete	Two (2)
4 x 4	#10-16 TEKS Screw to Steel	Two (2)
	#10 Wood Screw to Wood Blocking	Three (3)
	3/16" Tapcon Anchor to Concrete	Two (2)

Notes:

1. Place perimeter anchorages within 12" of corner, then per number of fasteners per side in the table above, spaced equally.
2. 3/16" Tapcon Anchor shall have minimum 2" embedment, minimum 2" edge distance and minimum 4" spacing in Concrete.
3. The building substrate is assumed to have the integrity to resist the anchor loads developed by the products.



Robert J. Amoruso, P.E.
Florida P.E. No. 49752