

Techcomlight Limited

68 Albion Court
Attleborough Road
Nuneaton
Warwickshire, CV11 4JJ

Tel: 02475 097713

e-mail: info@techcomlight.co.uk

website: www.solatube.co.uk



Agrément Certificate

20/5762

Product Sheet 2

SOLATUBE TUBULAR DAYLIGHTING SYSTEMS

SOLATUBE 53 CM DAYLIGHTING SYSTEM

This Agrément Certificate Product Sheet⁽¹⁾ relates to the Solatube 53 cm Daylighting System, for use on roofs in new and existing domestic and non-domestic buildings, to provide natural light inside the buildings.

(1) Hereinafter referred to as 'Certificate'.

CERTIFICATION INCLUDES:

- factors relating to compliance with Building Regulations where applicable
- factors relating to additional non-regulatory information where applicable
- independently verified technical specification
- assessment criteria and technical investigations
- design considerations
- installation guidance
- regular surveillance of production
- formal three-yearly review.



KEY FACTORS ASSESSED

Light transmittance — the system will transmit natural light through the attic space into a ceiling below (see section 6).

Strength and stability — the system has adequate resistance to the wind and snow loads likely to be encountered in service (see section 7).

Weathertightness — the system will provide satisfactory resistance to moisture ingress (see section 8).

Behaviour in relation to fire — the polycarbonate dome is classified as Tp(a) rigid or 'low vulnerability' and the polycarbonate diffuser as Tp(b) rigid or semi-rigid in accordance with the documents supporting the national Building Regulations. The aluminium and aluminium-coated steel flashing materials are non-combustible (see section 9).

Thermal properties — the system achieves a U value of $3.5 \text{ W}\cdot\text{m}^{-2}\cdot\text{K}^{-1}$ with a 25 mm mineral wool tube wrap, or $4.5 \text{ W}\cdot\text{m}^{-2}\cdot\text{K}^{-1}$ without (see section 10).

Condensation risk — the risk of condensation on the system's internal surface will depend on the building humidity class (see section 11).

Durability — the system will have a service life of at least 10 years in non-corrosive environments (see section 14).

The BBA has awarded this Certificate to the company named above for the system described herein. This system has been assessed by the BBA as being fit for its intended use provided it is installed, used and maintained as set out in this Certificate.

On behalf of the British Board of Agrément

Date of First issue: 8 June 2020

Hardy Giesler
Chief Executive Officer



The BBA is a UKAS accredited certification body – Number 113.

The schedule of the current scope of accreditation for product certification is available in pdf format via the UKAS link on the BBA website at www.bbacerts.co.uk

Readers MUST check the validity and latest issue number of this Agrément Certificate by either referring to the BBA website or contacting the BBA directly.

Any photographs are for illustrative purposes only, do not constitute advice and should not be relied upon.

British Board of Agrément

Bucknalls Lane
Watford
Herts WD25 9BA

©2020

tel: 01923 665300
clientservices@bbacerts.co.uk
www.bbacerts.co.uk

Regulations

In the opinion of the BBA, the Solatube 53 cm Daylighting System, if installed, used and maintained in accordance with this Certificate, can satisfy or contribute to satisfying the relevant requirements of the following Building Regulations (the presence of a UK map indicates that the subject is related to the Building Regulations in the region or regions of the UK depicted):



The Building Regulations 2010 (England and Wales) (as amended)

Requirement: A1	Loading
Comment:	The system will have sufficient strength and stiffness to sustain the design loads. See sections 7.1 and 7.2 of this Certificate.
Requirement: B2(1)	Internal fire spread (linings)
Comment:	The diffuser can be classified as Tp(b) material and can contribute to satisfying this Requirement. See section 9.1 of this Certificate.
Requirement: B4(2)	External fire spread
Comment:	The dome can be classified as Tp(a) rigid material and can contribute to satisfying this Requirement. See section 9 of this Certificate.
Requirement: C2(b)	Resistance to moisture
Comment:	The system will not adversely affect the resistance of the roof to the passage of moisture. The system provides adequate resistance to the ingress of precipitation. See section 8 of this Certificate.
Requirement: C2(c)	Resistance to moisture
Comment:	The risk of surface condensation on the system will depend on the building humidity class. See sections 11.1, 11.2 and 11.4 of this Certificate.
Requirement: K5.4	Safe access for cleaning windows etc (applicable to England only)
Comment:	Provisions must be made regarding the safe cleaning of the skylights. See sections 12.1 and 12.2 of this Certificate.
Requirement: L1(a)(i)	Conservation of fuel and power
Comment:	The system can contribute to satisfying this Requirement when appropriate compensatory fabric measures are taken. See section 10 of this Certificate. The system can also contribute to daylighting. See section 6.1 of this Certificate.
Requirement: N4	Safe access for cleaning windows etc (applicable to Wales only)
Comment:	Provisions must be made regarding the safe cleaning of the skylights. See sections 12.1 and 12.2 of this Certificate.
Regulation: 7(1)	Materials and workmanship
Comment:	The system is acceptable when used in accordance with this Certificate. See sections 14.1 and 14.3 and the <i>Installation</i> part of this Certificate.
Regulation: 26	CO₂ emission rates for new buildings
Regulation: 26A	Fabric energy efficiency rates for new dwellings (applicable to England only)
Regulation: 26A	Primary energy consumption rates for new buildings (applicable to Wales only)
Regulation: 26B	Fabric performance values for new dwellings (applicable to Wales only)
Comment:	The system can contribute to satisfying these Regulations when appropriate compensatory fabric/services measures are taken. See section 10 of this Certificate.



The Building (Scotland) Regulations 2004 (as amended)

Regulation:	8(1)(2)	Durability, workmanship and fitness of materials
Comment:		The system can contribute to a construction satisfying this Regulation. See sections 13.1, 13.2, 14.1 and 14.3 and the <i>Installation</i> part of this Certificate.
Regulation:	9	Building standards applicable to construction
Standard:	1.1(a)(b)	Structure
Comment:		The system will have sufficient strength and stiffness to sustain design loads with reference to clause 1.1.2 ⁽¹⁾⁽²⁾ . See sections 7.1 and 7.2 of this Certificate.
Standard:	2.5	Internal linings
Comment:		The diffuser can be classified as Tp(b) semi-rigid material and can be used in accordance with the area and separation distances required by clauses 2.5.6 ⁽¹⁾⁽²⁾ and 2.5.7 ⁽¹⁾⁽²⁾ . See section 9.1 of this Certificate.
Standard:	2.8	Spread from neighbouring buildings
Comment:		The external dome is classified as having 'low vulnerability' and is unrestricted by this Standard with reference to clause 2.8.1 ⁽¹⁾⁽²⁾ . See section 9 of this Certificate.
Standard:	3.10	Precipitation
Comment:		The system provides adequate resistance to the ingress of precipitation, with reference to clause 3.10.1 ⁽¹⁾⁽²⁾ . See section 8 of this Certificate.
Standard:	3.15	Condensation
Comment:		The risk of surface condensation on the system will depend on the humidity class of the building, with reference to clauses 3.15.1 ⁽¹⁾ and 3.15.4 ⁽¹⁾ . See sections 11.1, 11.2 and 11.4 of this Certificate.
Standard:	3.16	Natural lighting
Comment:		The system can contribute to providing natural light to a building, with reference to clauses 3.16.1 ⁽¹⁾ and 3.16.3 ⁽¹⁾ . See sections 6.1 and 6.2 of this Certificate.
Standard:	4.8(c)	Danger from accidents
Comment:		The provisions described in clause 4.8.3 ⁽¹⁾⁽²⁾ of this Standard regarding the safe cleaning of the skylights, must be taken into account. See sections 12.1 and 12.2 of this Certificate.
Standard:	6.1(b)	Carbon dioxide emissions
Standard:	6.2	Building insulation envelope
Comment:		The system can contribute to satisfying these Standards when appropriate compensatory measures are taken. See section 10 of this Certificate.
Standard:	7.1(a)(b)	Statement of sustainability
Comment:		The system can contribute to satisfying the relevant requirements of Regulation 9, Standards 1 to 6, and therefore will contribute to a construction meeting a bronze level of sustainability as defined in this Standard when appropriate compensatory fabric/services measures are taken.
Regulation:	12	Building standards applicable to conversions
Comment:		All comments given for this system under Regulation 9, Standards 1 to 6, also apply to this Regulation, with reference to clause 0.12.1 ⁽¹⁾⁽²⁾ and Schedule 6 ⁽¹⁾⁽²⁾ .

(1) Technical Handbook (Domestic).

(2) Technical Handbook (Non-Domestic).



The Building Regulations (Northern Ireland) 2012 (as amended)

Regulation:	23	Fitness of materials and workmanship
Comment:		The system is acceptable. See sections 14.1 and 14.3 and the <i>Installation</i> part of this Certificate.
Regulation:	28(b)	Resistance to moisture and weather
Comment:		The system will not adversely affect the resistance of the roof to the passage of moisture. See section 8 of this Certificate.
Regulation:	30	Stability
Comment:		The system has sufficient strength and stiffness to sustain the design loads. See sections 7.1 and 7.2 of this Certificate.
Regulation:	34	Internal fire spread — Linings
Comment:		The diffuser can be classified as Tp(b) material. See section 9.1 of this Certificate.
Regulation:	36(b)	External fire spread
Comment:		The dome can be classified as Tp(a) rigid material. See section 9 of this Certificate.
Regulation:	39(a)(b)	Conservation measures
Comment:		The system can contribute to satisfying this Regulation when appropriate compensatory fabric measures are taken. See section 10 of this Certificate. The system can also contribute to daylighting. See section 6.1 of this Certificate.
Regulation:	40(2)	Target carbon dioxide emissions rate
Comment:		The system can contribute to satisfying this Regulation when appropriate compensatory fabric/services measures are taken. See section 10 of this Certificate.
Regulation:	99	Safe access for cleaning glazing
Comment:		Provisions must be made regarding the safe cleaning of the skylight. See sections 12.1 and 12.2 of this Certificate.

Construction (Design and Management) Regulations 2017

Construction (Design and Management) Regulations (Northern Ireland) 2016

Information in this Certificate may assist the client, designer (including Principal Designer) and contractor (including Principal Contractor) to address their obligations under these Regulations.

See sections: 4 *Use* (4.4) and 12 *Safety* (12.1 and 12.2) of this Certificate.

Additional Information

NHBC Standards 2020

In the opinion of the BBA, the Solatube 53 cm Daylighting System, if installed, used and maintained in accordance with this Certificate, can satisfy or contribute to satisfying the relevant requirements in relation to *NHBC Standards*, Chapters 7.1 *Flat roofs and balconies* and 7.2 *Pitched roofs*.

1 Description

1.1 The Solatube 53 cm Daylighting System is available as a kit to assemble into a roof-to-ceiling light tube (see Figure 1). The components comprise:

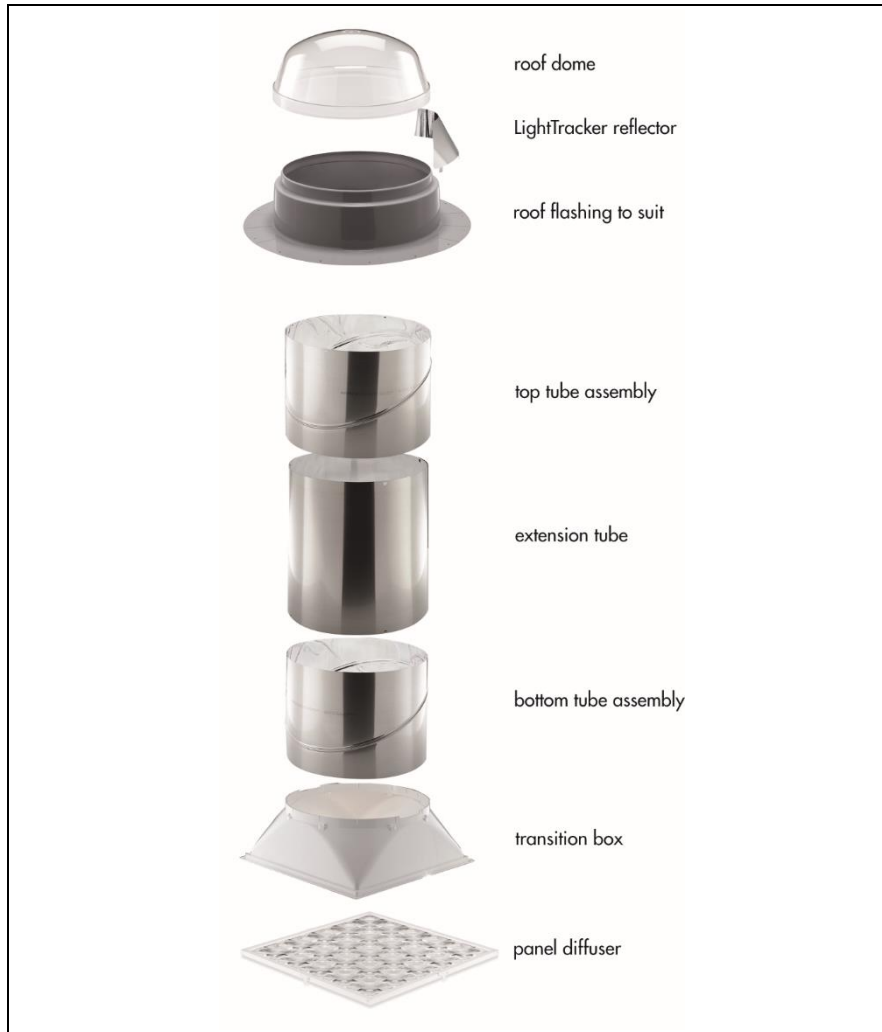
- dome — transparent injection-moulded polycarbonate greater than 3 mm thick, with the ultraviolet (UV) stabiliser mixed into the polycarbonate material at the moulding stage, and a LightTracker⁽¹⁾
- roof flashing to suit specific roof type
 - flat roofs (metal, membrane, bituminous) — black powder-coated galvanized steel
 - slate and plain tile roofs (metal, membrane, bituminous) — aluminium/steel alloy (curb mount) — powder-coated galvanized steel/aluminium
- top tube assembly
 - reflective 39.5 cm long aluminium tubing with Spectralight⁽²⁾ Infinity laminated coating, incorporating 0° to 45° adjustable angle and PVC dome ring with fixing points to accommodate the roof dome
- extension tubes
 - straight tube lengths: reflective 61 cm or 122 cm long aluminium tubing with Spectralight Infinity laminated coating incorporating locating slots for parallel or tapered assembly; the straight tube lengths telescope together to the required length
 - angled tube lengths: 71 cm long aluminium tubing with Spectralight Infinity laminated coating, incorporating two variable joints (0° to 45°) which can be arranged to provide a variety of angles and configurations
- bottom tube assembly
 - reflective 39.5 cm long aluminium tubing with Spectralight Infinity laminated coating, incorporating an adjustable angle (0° to 45°). The base of the unit is fitted with a white acrylic ceiling ring
- diffuser
 - Optiview⁽²⁾: injection-moulded, acrylic dress ring and polycarbonate Fresnel lens diffuser (606 mm square)
- fixings
 - dome screws
 - flashing screws
 - flashing fixings (as appropriate to type)
 - drywall mounting screws
 - tube screws
 - expansion joint seal
 - self-adhesive nylon brush seal
 - aluminium joint-sealing tape
 - flashing sealant as required

(1) Registered trademark.

(2) Trademark.

1.2 The system is available as a 53 cm diameter tubular daylighting system.

Figure 1 Semi-exploded view of the Solatube 53 cm Daylight System



1.3 For tube runs exceeding 4.5 metres in length or for lengths running horizontally, suspension wires should be added for support. The Certificate holder can provide details of the correct materials to be used to avoid galvanic reaction.

2 Manufacture

2.1 Polycarbonate sheets are injection moulded to the appropriate size. Flashings are fabricated from aluminium/steel alloy or pressed galvanized steel, and powder coated. The reflecting material is laminated to aluminium.

2.2 As part of the assessment and ongoing surveillance of product quality, the BBA has:

- agreed with the manufacturer the quality control procedures and product testing to be undertaken
- assessed and agreed the quality control operated over batches of incoming materials
- monitored the production process and verified that it is in accordance with the documented process
- evaluated the process for management of nonconformities
- checked that equipment has been properly tested and calibrated
- undertaken to carry out the above measures on a regular basis through a surveillance process, to verify that the specifications and quality control operated by the manufacturer are being maintained.

3 Delivery and site handling

The system is delivered to site in kit form, in bubble-wrap protective sheet and boxed ready for installation. Boxes should be stored under cover. Each box carries a sticker bearing the customer's name, details, order number, installation instructions and delivery documentation.

Assessment and Technical Investigations

The following is a summary of the assessment and technical investigations carried out on the Solatube 53 cm Daylighting System.

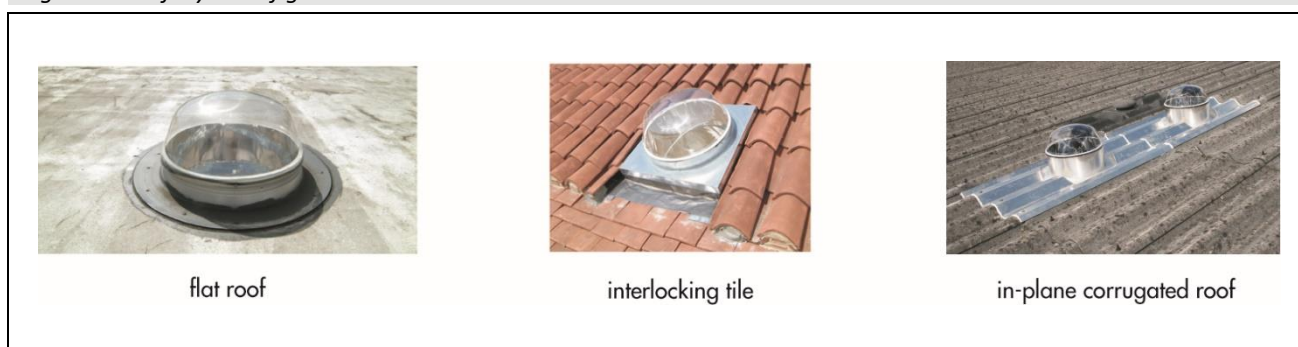
Design Considerations

4 Use

4.1 The Solatube 53 cm Daylighting System is satisfactory for use on pitched and flat roofs of new and existing, domestic or non-domestic buildings. New roofs should be designed in accordance with the relevant national Building Regulations.

4.2 Two variations of pitched roof flashings are available, to allow for installation with tiles or slates. In addition to these, separate roof flashings are available for flat felt roofs (see Figure 2).

Figure 2 Roof style configurations



4.3 The system is suitable for pitched (with pitches between 15° and 65°), tiled or flat roofs. Other custom-designed flashings are available from the Certificate holder for pitches of 66° to 90°, but these are outside the scope of this Certificate.

4.4 Cutting of structural members of the roof should be avoided if possible, but where this is necessary, it is important that the roof is checked by a suitably qualified and experienced individual to ensure that it can carry the additional loads the installation may impose; the roof must be strengthened if necessary.

4.5 The reflecting light tubes are designed to extend through the roof space into the diffuser in the ceiling below. Tubes in the top roof assembly and the bottom assembly are designed with an angle converter, which is a rotating section set at an offset in the tube to allow for any angle of tubing through the roof space. Straight extension tubes are available for deeper roof spaces. To maximise light transmittance, arrangements should be as simple as possible.

5 Practicability of installation

The system is designed to be installed by a competent general builder, or a contractor, experienced with this type of system.

6 Light transmittance



6.1 For design purposes, the approximate light transmittance characteristics of new material at normal incidence are given in Table 1 of this Certificate. These figures may be used in SAP and SBEM calculations.

Table 1 Light transmittance

Material	Light transmittance ⁽¹⁾ (%)	Haze (%)
Clear dome	88	3.8
Flush Optiview ⁽²⁾ diffuser	90	94 ⁽³⁾

(1) In accordance with ASTM D 1003 : 2000.

(2) Results relate to a double-glazed Optiview diffuser from the 25 cm system (see Product Sheet 1 of this Certificate). The 35 cm system uses a single-glazed system – therefore these results are likely to be improved.

(3) Results are due to the prismatic nature of the diffuser.

6.2 For design purposes the loss in light owing to changes in angles of the light tubes was carried out on the 250 mm skylight covered by Product Sheet 1 (see section 6.2 and Table 3 in Product Sheet 1 of this Certificate).

6.3 The mean reflectance of the light tube between the wavelengths 400 to 700 nm was found to be 100%. The specular gloss, according to BS EN ISO 2813 : 2014, was found to be 151 gloss units at 85°.

6.4 A reflector may be inserted in the dome with the reflective side due south, to enhance the level of low light captured.

7 Strength and stability



7.1 The system has an adequate resistance to wind loads calculated in accordance with BS EN 1991-1-4 : 2005 and its UK National Annex.

7.2 The system is designed to support an imposed load of 1.1 kN. The magnitude of the actual snow load imposed will depend upon a number of factors, such as height above sea level, geographical location, roof arrangement, and type and configuration of skylights. Therefore, it is recommended that BS EN 1991-1-3 : 2003 and its UK National Annex are used to calculate the actual snow load when the roof is used in situations where a load greater than 1.1 kN can be expected.

7.3 Details of the connections between the flashing and the roof must be entrusted to a suitably competent and experienced individual. Guidance is available from the Certificate holder.

7.4 The polycarbonate dome material has a good resistance to impact from hard bodies, such as hailstones, or impacts owing to vandalism. Tests on typical skylight samples showed that an impact energy of 2.5 J did not cause damage when applied at various points of the skylight dome.

8 Weathertightness



8.1 When installed in accordance with the Certificate holder's instructions and sections 16 and 17 of this Certificate, the system will provide adequate resistance to the ingress of moisture.

8.2 Particular attention must be paid to the correct fitting of all components and to the detailing of sealants and roofing materials.

9 Behaviour in relation to fire



9.1 The polycarbonate dome used in the rooflights is classified as Tp(a) rigid, and in Scotland as 'low vulnerability'. The polycarbonate diffuser is classified as Tp(b) and, in Scotland, as Tp(b) semi-rigid in accordance with the national Building Regulations. In England, Wales and Northern Ireland, the system should not be used within 1500 mm of a junction with a compartment wall.

9.2 The powder-coated galvanized steel/aluminium roof flashing materials and aluminium rigid light tube material are non-combustible.

10 Thermal properties



The design U values detailed in the documents supporting the national Building Regulations should be adjusted by $+0.5 \text{ W}\cdot\text{m}^{-2}\cdot\text{K}^{-1}$ in accordance with BRE Report BR 443 : 2006 and then compared with the U values given in Table 2, below. The system's U values and areas given in Table 2 may be used in SAP or SBEM calculations.

Table 2 System U values and temperature factors⁽¹⁾

Product	Diffuser area $A_{\text{diffuser}} \text{ (m}^2\text{)}$	Without tube insulation		With tube insulation ⁽²⁾	
		U_{diffuser} $\text{(W}\cdot\text{m}^{-2}\cdot\text{K}^{-1}\text{)}$	Temperature factor, f_{Rsi}	U_{diffuser} $\text{(W}\cdot\text{m}^{-2}\cdot\text{K}^{-1}\text{)}$	Temperature factor, f_{Rsi}
53 cm	0.37	4.5	0.51	3.5	0.62

(1) Tubes extending through unheated roof space.

(2) 25 mm mineral wool tube wrap (outside the scope of this Certificate).

11 Condensation risk



11.1 Thermal modelling of the system in accordance with BS EN ISO 10211 : 2017 indicates the temperature factors shown in Table 2 of this Certificate.

11.2 The risk of condensation forming on an internal surface of the diffuser is dependent on its temperature and the temperature and humidity of the adjacent air. The minimum temperature factor required to avoid surface condensation is dependent on the building type and external temperature for the location, and can be calculated for a particular situation in accordance with BS EN ISO 13788 : 2012. Alternatively, default critical temperature factors for limiting the risk of surface condensation and mould growth values can be obtained from BRE Information Paper IP 1/06.

11.3 Where the tube passes through an unheated space, it should be sheathed with insulation with a thermal resistance of at least $0.6 \text{ m}^2\cdot\text{K}\cdot\text{W}^{-1}$ ⁽¹⁾.

(1) BRE Report BR 262 : 2002.



11.4 The risk will be minimal when the system's temperature factor exceeds the calculated or critical temperature factors (f_{CRsi}) for the relevant building type. Where the temperature factors in Table 2 are less than the critical temperature factors (f_{CRsi}) for the relevant building type, there is a risk of surface condensation forming. However, limited intermittent condensation, appearing initially on the diffuser, should not be detrimental to the system. By way of comparison, temperature factors for typical PVC-U windows are between 0.50 and 0.65.

11.5 In all cases, the risk of surface condensation can be reduced by limiting activities which produce large amounts of moisture and by providing means for adequate ventilation.

12 Safety



12.1 The external surface of the dome cannot be cleaned from inside the building. For maintenance and cleaning purposes, special precautions must be taken.

12.2 When selecting means of access during the period of installation or maintenance (for example, use of scaffolding) the safety of the operatives, occupants and passers-by should be considered.

12.3 If the system is located on a roof which is generally accessible to the public, provision must be made to prevent people falling onto the glazed part (eg guard rails). If, as the result of an accidental fall, contact is made with the polycarbonate dome, the material shows good resistance to impact.

13 Maintenance



13.1 If damage occurs, the system can be re-glazed and the fixings replaced, but these operations should be carried out using the materials recommended by the Certificate holder and covered by this Certificate.

13.2 Cleaning of the diffuser or dome must be carried out using water containing non-abrasive, household neutral detergent. To avoid scratching the surface, only soft cloths should be used when cleaning.

13.3 The seal applied to the outer edge of the flashing and to all flashing screw heads may need to be replaced within the life of the system.

14 Durability



14.1 The system will have a service life of at least 10 years.

14.2 After natural weathering, some slight change in colour of the polycarbonate dome will occur. However, the change will be even across the dome and will not significantly decrease properties, although light transmittance and haze may be slightly affected.



14.3 Fixings, as described in this Certificate, may need to be replaced within the life of the light tube, particularly when exposed to aggressive environments, such as coastal or industrial locations.

15 Reuse and recyclability

The system comprises polycarbonate, galvanized steel and aluminium, each of which can be recycled.

Installation

16 General

16.1 Installation of the system should be carried out in accordance with the Certificate holder's installation instructions.

16.2 The system comprises of a lightweight aluminium tubing which for vertical applications up to 4.5 metres in length is self-supporting when all sections are appropriately taped and sealed together with the aluminium tape provided in accordance with the Certificate holder's instructions. For tube lengths exceeding 4.5 metres in length or for lengths running horizontally, suspension wires should be added for support (see section 1.3 of this Certificate).

17 Procedure

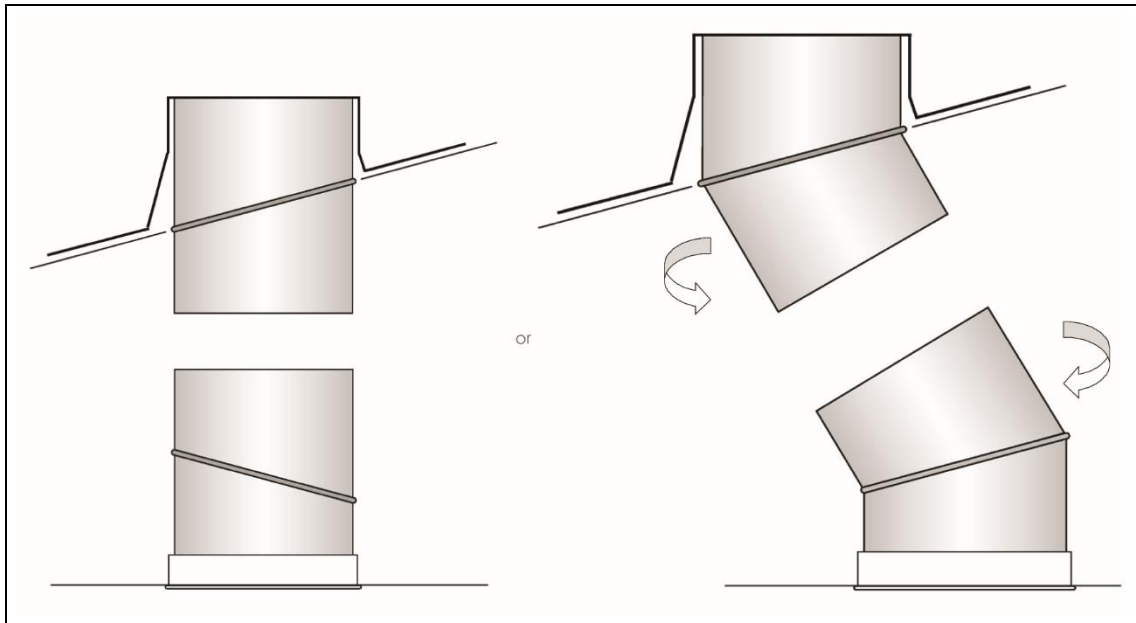
17.1 A minimum clearance is needed between joists of 550 mm for this system in order to install the ceiling diffuser. The location should be chosen so as to provide the straightest route from ceiling diffuser to dome.

17.2 The roof flashing can be positioned either vertically above the diffuser position or to an angle of up to 45° from the vertical. The two angle adaptors can be rotated in any direction to achieve this (see Figure 3).

17.3 A circular hole is cut into the ceiling of the appropriate size and the bottom tube assembly is inserted up into the ceiling. If the installation is not vertical, the angle adaptor is rotated to point towards the roof flashing location.

17.4 The installation of the roof flashing depends upon the roof type.

Figure 3 Aligning top and bottom tube assemblies



Flat roof flashing

- the centre point above the hole cut in the ceiling is located and marked with a nail or screw. The area where the flashing will be located is cleared away thoroughly, ensuring that the surface under the flashing and 75 mm beyond the edge is smooth, level, clean and dry
- a series of eight 5 mm diameter holes are drilled around the edge of the flashing base between, and in addition to, the eight existing holes
- after marking the points of the holes and the outer edges of the flashing, cuts are made through the roof deck 20 mm inside the inner marked line
- sealant is applied onto the outer edge of the flashing and around the hole in the roof, and the flashing lowered into position. The flashing is fastened to the roof using 50 mm flashing screws, taking care not to overtighten (see Figure 4). Sealant is finally applied to the outer edge of the flashing and to all flashing screw heads.

Figure 4 Flat roof flashing installation



Slate and plain tile flashing

- an area of roof tiles is removed, enough to allow the top and aperture of the flashing to be placed onto the roof battens, leaving sufficient tiles at the bottom edge to allow the flashing to overlap sufficiently onto the tiles below
- any obstructing battens are cut if necessary (see section 4.4) and the roof felt is cut through in a star shape so that the felt can be folded upwards and back on itself. The flashing is placed over the hole, and the tube of the top tube assembly is temporarily inserted and angled towards the bottom tube assembly in the ceiling
- the top of the flashing is secured with flashing screws to the appropriate batten, and sealant applied to the top of each fixing screw head. Sealant is also applied to the side sections of the flashing onto which the tiles will be re-laid
- sealant is applied to the bottom edge of the flashing, between the flashing and the tiles underneath, and across the top edge of the flashing. Roof tiles are re-laid and fixed to the sides and top of the flashing, ensuring that a 40 mm gap exists behind the flashing upstand to allow the top tube assembly, dome ring and dome to be inserted into the flashing upstand (see Figure 5).

Figure 5 Curb mount installation



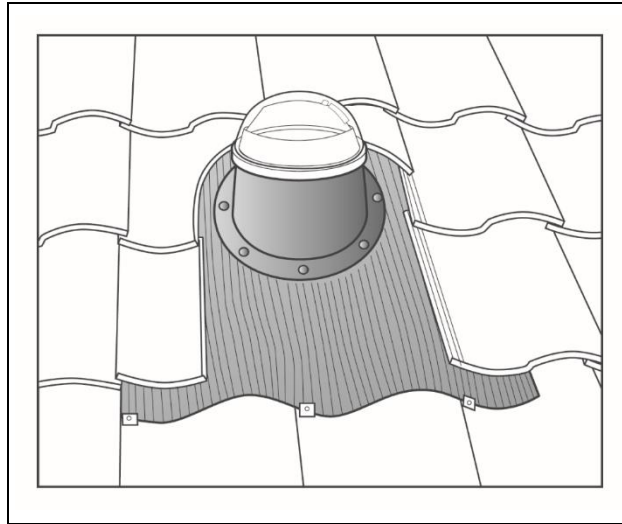
Interlocking tile flashing

- an area of roof tiles is removed, enough to allow the top and aperture of the flashing to be placed onto the roof battens, leaving sufficient tiles at the bottom edge to allow the flashing to overlap sufficiently onto the tiles below
- any obstructing battens are cut if necessary (see section 4.4) and the roof felt is cut through in a star shape so that the felt can be folded upwards and back on itself. The flashing is placed over the hole, and the tube from the top tube assembly is temporarily inserted and angled towards the bottom tube assembly in the ceiling
- the top of the flashing is secured with flashing screws to the appropriate batten and hand-pressure applied to the bottom edge of the flashing over the shape of the tiles beneath it. The left and right edges of the flashing are turned up to ensure that water does not ingress (see Figure 6)
- aluminium 'L' brackets are carefully fitted to the tiles to secure the lower end of the flashing. The backing of Solafoam strip is removed and the strip is adhered to the flashing surface, placing it so that it is covered and compressed when the removed tiles have been replaced. Tiles are re-laid ensuring that a 40 mm gap is left behind the upstand to allow the top tube assembly, dome ring and dome to be inserted into the flashing upstand. Finally, the top of the flashing is moulded by hand as necessary to fit the underside shape of the tiles (see Figure 7).

Figure 6 Securing the interlocking tile flashing



Figure 7 Interlocking tile flashing installation

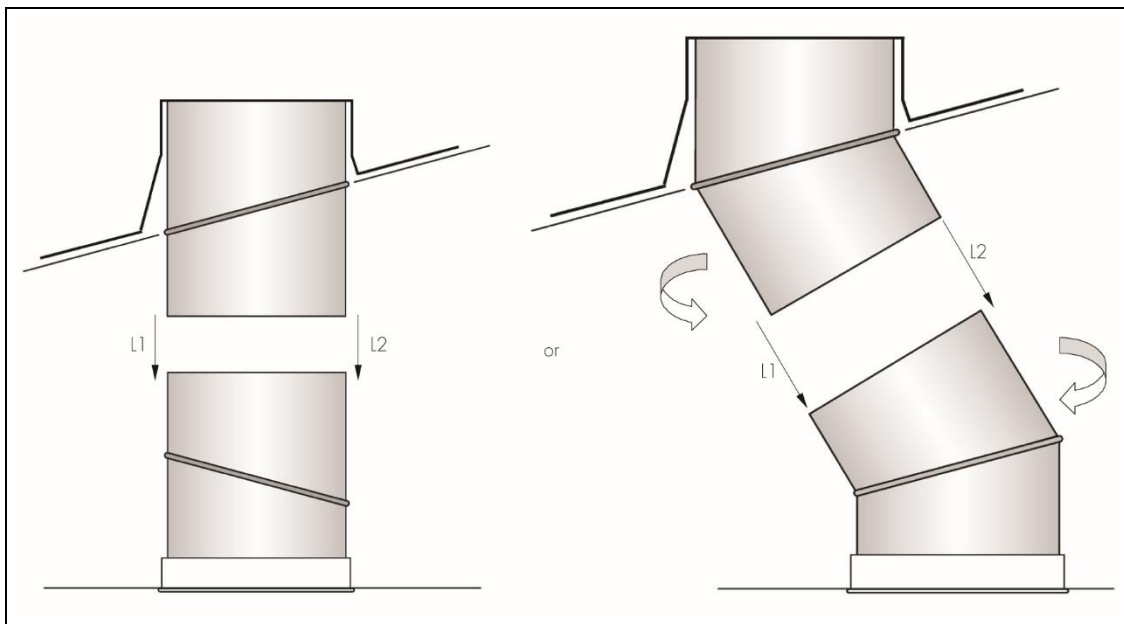


17.5 The top tube assembly is inserted into the roof flashing from the outside. Metal roof flashings have pre-drilled holes. The dome ring fixing holes align with these holes and dome screws are screwed through to the flashing to hold the top tube assembly temporarily in place.

17.6 Angle adaptors are rotated so that the top tube assembly points towards the bottom tube assembly in the ceiling. The lengths 'L1' and 'L2' (see Figure 8) should be equal to ensure alignment⁽¹⁾.

(1) For flat/vaulted ceiling applications where no extension tubes are required, the bottom tube assembly will be fitted up inside the top tube assembly.

Figure 8 Showing equal alignment of top and bottom tube assemblies



17.7 The top tube assembly is unscrewed, and the angle adaptor joint and tube seams are taped with the foil tape supplied by the Certificate holder.

17.8 The protective lining film is removed from the inside the tube, and the top tube assembly replaced back into the roof flashing, again aligning it with the bottom tube assembly. The assembly is securely fastened to the flashing using the dome screws.

17.9 A LightTracker reflector is placed in the north side of the dome, with the reflective side facing due south. The tabs on the bottom of the reflector locate into a channel on the top tube assembly. The protective film is removed from the reflector.

17.10 The self-adhesive dome seal is applied 5 mm below the top edge of the flashing turret. The dome is fitted down onto the flashing turret over the dome seal.

17.11 Dome spacers are to be inserted along the long end first into every other pre-formed hole in the base of the dome. The fixing holes are pre-drilled through spacers and the dome fixings screwed through these pre-drilled holes.

17.12 Final adjustments are made to align the bottom tube assembly with any extension tubes to the upper ceiling assembly. The protective film is removed from the inside the bottom tube assembly and the extension tubes.

17.13 For a closed ceiling system, the transition box is installed into the ceiling grid. The natural effect lens and ceiling diffuser is then clipped into the transition box. For an open ceiling system, the top edge of the diffuser seal is installed along the line traced on the bottom of the straight tube section. The diffuser tabs are aligned with the pre-cut tube notches and the diffuser is pushed into place ensuring that the tabs have properly engaged.

Technical Investigations

18 Tests

Results of tests were assessed to determine:

- watertightness
- effect of wind loads
- effect of snow loads
- effect of impacts
- light transmission and haze
- loss of light owing to bending
- suitability of materials
- reflectance
- specular gloss.

19 Investigations

19.1 The manufacturing process was evaluated, including the methods adopted for quality control, and details were obtained relating to the quality and composition of the materials used.

19.2 A site visit was conducted to establish the system's performance and durability in service.

19.3 An examination was made of existing data in relation to performance in fire.

19.4 Thermal performance and temperature factors of the system were assessed using thermal simulation.

Bibliography

- BS EN 1991-1-3 : 2003 + A1 : 2015 *Eurocode 1 : Actions on structures — General actions — Snow loads*
NA + A2 : 18 to BS EN 1991-1-3 : 2003 + A1 : 2015 UK National Annex to *Eurocode 1 : Actions on structures — General actions — Snow loads*
- BS EN 1991-1-4 : 2005 + A1 : 2010 *Eurocode 1 : Actions on structures — General actions — Wind actions*
NA to BS EN 1991-1-4 : 2005 + A1 : 2010 UK National Annex to *Eurocode 1 : Actions on structures — General actions — Wind actions*
- BS EN ISO 2813 : 2014 *Paints and varnishes — Determination of specular gloss of non-metallic paint films at 20 degrees and 85 degrees*
- BS EN ISO 10211 : 2017 *Thermal bridges in building construction — Heat flows and surface temperatures — Detailed calculations*
- ASTM D 1003 : 2000 *Test Method for Haze and Luminous Transmittance of Transparent Plastics*
- BS EN ISO 13788 : 2012 *Hygrothermal performance of building components and building elements — Internal surface temperature to avoid critical surface humidity and interstitial condensation — Calculation methods*
- BRE Information Paper IP 1/06 *Assessing the effects of thermal bridging at junctions and around openings*
- BRE Report BR 262 : 2002 *Thermal insulation : avoiding risks*
- BRE Report BR 443 : 2006 *Conventions for U-value calculations*

20 Conditions

20.1 This Certificate:

- relates only to the product/system that is named and described on the front page
- is issued only to the company, firm, organisation or person named on the front page – no other company, firm, organisation or person may hold or claim that this Certificate has been issued to them
- is valid only within the UK
- has to be read, considered and used as a whole document – it may be misleading and will be incomplete to be selective
- is copyright of the BBA
- is subject to English Law.

20.2 Publications, documents, specifications, legislation, regulations, standards and the like referenced in this Certificate are those that were current and/or deemed relevant by the BBA at the date of issue or reissue of this Certificate.

20.3 This Certificate will remain valid for an unlimited period provided that the product/system and its manufacture and/or fabrication, including all related and relevant parts and processes thereof:

- are maintained at or above the levels which have been assessed and found to be satisfactory by the BBA
- continue to be checked as and when deemed appropriate by the BBA under arrangements that it will determine
- are reviewed by the BBA as and when it considers appropriate.

20.4 The BBA has used due skill, care and diligence in preparing this Certificate, but no warranty is provided.

20.5 In issuing this Certificate the BBA is not responsible and is excluded from any liability to any company, firm, organisation or person, for any matters arising directly or indirectly from:

- the presence or absence of any patent, intellectual property or similar rights subsisting in the product/system or any other product/system
- the right of the Certificate holder to manufacture, supply, install, maintain or market the product/system
- actual installations of the product/system, including their nature, design, methods, performance, workmanship and maintenance
- any works and constructions in which the product/system is installed, including their nature, design, methods, performance, workmanship and maintenance
- any loss or damage, including personal injury, howsoever caused by the product/system, including its manufacture, supply, installation, use, maintenance and removal
- any claims by the manufacturer relating to CE marking.

20.6 Any information relating to the manufacture, supply, installation, use, maintenance and removal of this product/system which is contained or referred to in this Certificate is the minimum required to be met when the product/system is manufactured, supplied, installed, used, maintained and removed. It does not purport in any way to restate the requirements of the Health and Safety at Work etc. Act 1974, or of any other statutory, common law or other duty which may exist at the date of issue or reissue of this Certificate; nor is conformity with such information to be taken as satisfying the requirements of the 1974 Act or of any statutory, common law or other duty of care.