



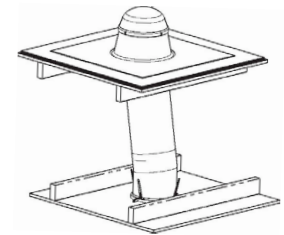
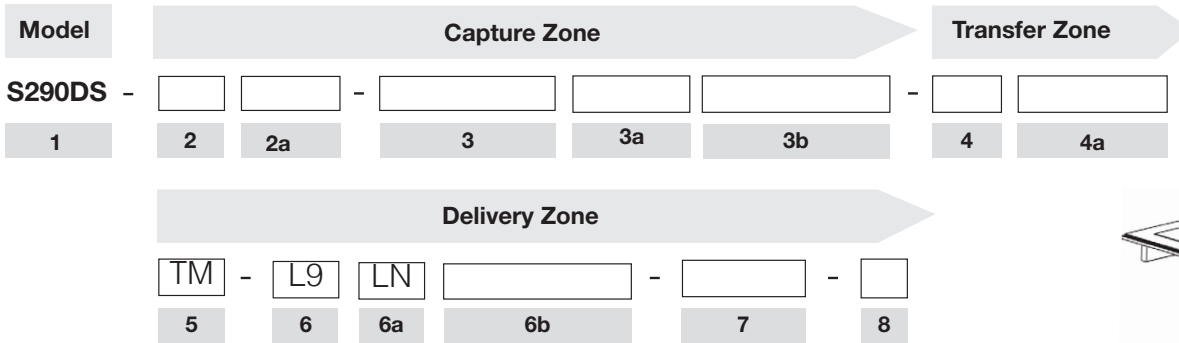
# Model: Solatube 290 DS Square (14 in./350 mm Daylighting System )

Project: \_\_\_\_\_

Location: \_\_\_\_\_

Type: \_\_\_\_\_

Product Specifications Appear in CSI Division 08, Section 08 62 23. For budgeting and quotations use only. Qty: \_\_\_\_\_



## 1 Model

**290 DS Brighten Up®** Solatube 290 DS (14 in./350 mm Daylighting System)

## Capture Zone


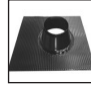





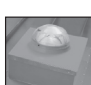



### 2 Domes (Leave blank if not desired)

**DA** Acrylic Dome      **DAI** Acrylic Dome + Shock Inner Dome (Acrylic)  
Required for High Velocity Hurricane Zones

### 2a Dome Options (Leave blank if not desired)

**PB** Dome Edge Protection Band      **FG** Rooftop Fire Glazing  
Required for High Fire Zones

### 3 Flashings

<p><b>FP</b> 4 in. (102 mm) Pitched Metal, Self Mounted</p> 	<p><b>FT</b> 4 in. (102 mm) Tile Roof, No Pitch Metal Flashing</p> 	<p><b>C14**</b> Metal Insulated Curb 26-1/2in. x 26-1/2 in. x 14 in. (673 mm x 673 mm x 355.5 mm)</p> 
<p><b>FPT</b> 4 in. (102 mm) Tile Roof, Pitched Metal Flashing</p> 	<p><b>F6</b> 6 in. (152 mm) Flat/No Pitch Metal, Self Mounted</p> 	<p><b>C16**</b> Metal Insulated Curb 26-1/2in. x 26-1/2 in. x 16 in. (673 mm x 673 mm x 406.5 mm)</p> 
<p><b>F1.5</b> 1.5-inch (38 mm) Flat/No Pitch Metal, Self Mounted</p> 	<p><b>FC</b> Curb Cap (curb by others)</p> 	<p><b>C20**</b> Metal Insulated Curb 26-1/2in. x 26-1/2 in. x 20 in. (673 mm x 673 mm x 508 mm)</p> 
<p><b>F4</b> 4 in. (102 mm) Self Mounted</p> 	<p><b>C12**</b> Metal Insulated Curb 26-1/2in. x 26-1/2 in. x 12 in. (673 mm x 673 mm x 305 mm)</p> 	

\*\* Only product that is FM approved. Must use Dome Polycarbonate (DP). It is required that a dome Edge Protection Band (PB) is used with FM approved flashings and (F8 & F11). The Dome Edge Protection Band for the Curb Cap (PBC) must be used with FM approved Curb Cap (FC).

\*\* Curbs designed for single-ply roofing, lightweight fill or tapered insulation low slope roof types.

### 3a Flashing Options (Leave blank if not desired)

- T2\*** Roof Flashing Turret Extension 2 in. (51 mm)
- T4\*** Roof Flashing Turret Extension 4 in. (102 mm)
- T12\*** Roof Flashing Turret Extension 12 in. (305 mm)
- T24\*** Roof Flashing Turret Extension 24 in. (610 mm)

- T36\*** Roof Flashing Turret Extension 36 in. (914 mm)
- T48\*** Roof Flashing Turret Extension 48 in. (1219 mm)
- MR** Metal Roof Installation Kit

\* Specify additional extension tubes in #4

### 3b Insulation Options (Leave blank if not desired)

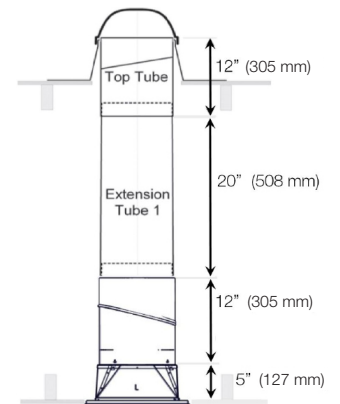
- FI** Flashing Insulator
- CI** Curb Insulator
- TIP** Thermal Insulation Panel
- CCI** Curb Cap Insulation

## Transfer Zone

### 4 Extension Tubes Required

Run measured from top of roof deck to bottom of ceiling plane along centerline of tubing.

- E0** Base Kit, No Extension Tubes – Max Run = 22 in. (559 mm)
- E1** One Extension Tube – Max Run = 44 in. (1118 mm)
- E2** Two Extension Tubes – Max Run = 66 in. (1676 mm)
- E3** Three Extension Tubes – Max Run = 88 in. (2235 mm)
- E4** Four Extension Tubes – Max Run = 110 in. (2794 mm)
- E5** Five Extension Tubes – Max Run = 132 in. (3353 mm)
- E6** Six Extension Tubes – Max Run = 154 in. (3912 mm)
- E7** Seven Extension Tubes – Max Run = 176 in. (4470 mm)
- E8** Eight Extension Tubes – Max Run = 198 in. (5029 mm)
- E9** Nine Extension Tubes – Max Run = 220 in. (5588 mm)
- E10** Ten Extension Tubes – Max Run = 242 in. (6147 mm)
- EXX** Total Run Length to be Determined by Bidding Contractor



### 4a Extension Tube Options (Leave blank if not desired)

- A1** One 0-90 Degree Extension Tube (Angle Adapter)
- A2** Two 0-90 Degree Extension Tubes (Angle Adapter)
- E** Wire Suspension Kit
- SCG** Severe Climate Glazing

## Delivery Zone

### 5 Bottom Assembly

- TM** Transition Square Box (Metal)



### 6 Diffusers/Decorative Fixtures

- L9** JustFrost Decorative Fixture



### 6a Effect Lenses

- LN** Natural Effect Lens

### 6b Options (Leave blank if not desired)

- INC** Universal Light Add-On Kit with Medium Screw Base (Accepts two 23W Maximum LED, or Fluorescent Lamp, Medium Base, Total Maximum Length 4 3/4 in. (120 mm) -Not Included) 110V
- D1** 0-10V Daylight Dimmer
- LED** 4,000K/80CRI
- L309** 3,000K/90CRI
- L359** 3,500K/90CRI
- L409** 4,000K/90CRI

## 7 Accessories (Order separately)

**S1** Low voltage 0-10V switch (white) required to operate Solatube 0-10V Daylight Dimmers. Only one switch per forty-eight (48) synchronously controlled dimmers. (For 'D1' only) Note: For use when no controls have been specified and customer is looking for an off-the-shelf solution.

**TR20** UL Listed Class 2 Transformer 24 VAC, Rated 20 VA (For 'D1' only)

**TR96** UL Listed Class 2 Transformer 24 VAC, Rated 96 VA (For 'D1' only)

---

## 8 Measurement Standard

**M** Metric                      **I** Imperial

### Example

#### **S290DS-DA-F6-E4-TM-L9-LN-INC-D1-I**

Brighten Up® Series Solatube 290 DS (14 in./350 mm Daylighting System), Acrylic Dome, 6 in. (152 mm) high Flat/No Pitch Self Mounted Flashing, 4 Extension Tubes, Transition Box Metal, Just Frost Decorative Fixture, Natural Effect Lens, Universal Light Add-On Kit and Daylight Dimmer. For imperial installations.