



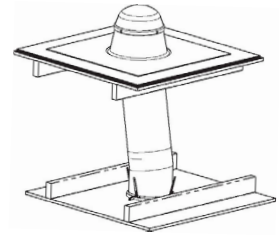
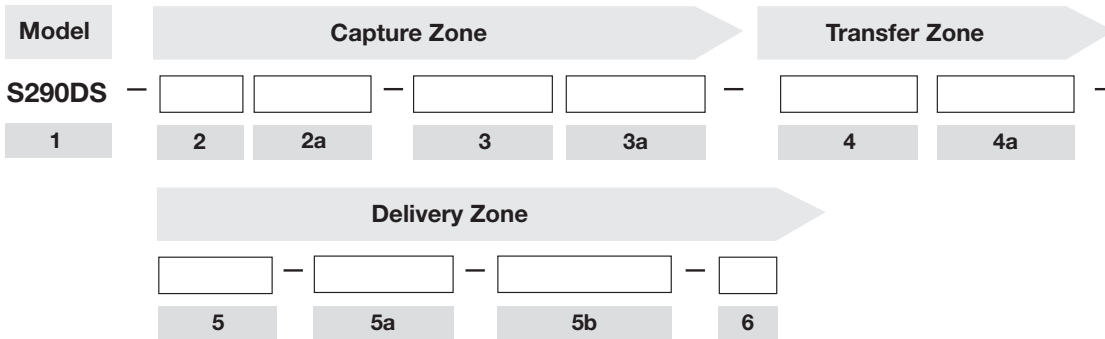
Model: Solatube 290 DS (14 in. /350 mm Daylighting System)

Project: _____

Location: _____

Type: _____

Product Specifications Appear in CSI Division 08, Section 08 62 23. For budgeting and quotations use only. Qty: _____






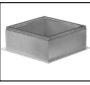








1 Model
290 DS Brighten Up® Solatube 290 DS 14 in./350 mm Daylighting System)

Capture Zone

2 Domes (Leave blank if not desired)
DA Acrylic Dome **DAI** Acrylic Dome + Shock Inner Dome (Acrylic)
Required for High Velocity Hurricane Zones

2a Dome Options (Leave blank if not desired)
PB Dome Edge Protection Band **FG** Rooftop Fire Glazing
Required for High Fire Zones

3 Flashings						
FP 4 in. (102 mm) Pitched Metal, Self Mounted		FT 4 in. (102 mm) Tile Roof, No Pitch Metal Flashing		C14** Metal Insulated Curb 26-1/2in. x 26-1/2 in. x 14 in. (673 mm x 673 mm x 355.5 mm)		
FPT 4 in. (102 mm) Tile Roof, Pitched Metal Flashing		F6 6 in. (152 mm) Flat/No Pitch Metal, Self Mounted		C16** Metal Insulated Curb 26-1/2in. x 26-1/2 in. x 16 in. (673 mm x 673 mm x 406.5 mm)		
F1.5 1.5-inch (38 mm) Flat/No Pitch Metal, Self Mounted		FC Curb Cap (curb by others)		C20** Metal Insulated Curb 26-1/2in. x 26-1/2 in. x 20 in. (673 mm x 673 mm x 508 mm)		
F4 4 in. (102 mm) Self Mounted		C12** Metal Insulated Curb 26-1/2in. x 26-1/2 in. x 12 in. (673 mm x 673 mm x 305 mm)		CXX** Metal Insulated Curb 26-1/2in. x 26-1/2 in. x XX in. (673 mm x 673 mm x XX mm) XX: Custom curb height determined by bidding contractor		

** Only product that is FM approved. Must use Dome Polycarbonate (DP). It is required that a dome Edge Protection Band (PB) is used with FM approved flashings and (F8 & F11). The Dome Edge Protection Band for the Curb Cap (PBC) must be used with FM approved Curb Cap (FC).

** Curbs designed for single-ply roofing, lightweight fill or tapered insulation low slope roof types.

3a Flashing Options (Leave blank if not desired)

- | | |
|---|--|
| T2* Roof Flashing Turret Extension 51 mm/2 in | T36* Roof Flashing Turret Extension 914 mm/36 in |
| T4* Roof Flashing Turret Extension 102 mm/4 in | T48* Roof Flashing Turret Extension 1219 mm/48 in |
| T12* Roof Flashing Turret Extension 305 mm/12 in | FI Flashing Insulator |
| T24* Roof Flashing Turret Extension 610 mm/24 in | MR Metal Roof Installation Kit |
| | CCI Curb Cap Insulation |

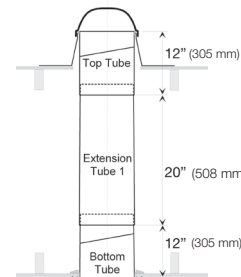
* Specify additional extension tubes in #4

Transfer Zone

4 Extension Tubes Required

Run measured from top of roof deck to bottom of ceiling plane along centerline of tubing.

- | | |
|--|--|
| E0 Base Kit, No Tubes – Max Run = 16 in. (406 mm) | E7 Seven Extension Tubes – Max Run = 170 in. (4318 mm) |
| E1 One Extension Tube – Max Run = 38 in. (965 mm) | E8 Eight Extension Tubes – Max Run = 192 in. (4877 mm) |
| E2 Two Extension Tubes – Max Run = 60 in. (1524 mm) | E9 Nine Extension Tubes – Max Run = 214 in. (5435 mm) |
| E3 Three Extension Tubes – Max Run = 82 in. (2082 mm) | E10 Ten Extension Tubes – Max Run = 236 in. (5994 mm) |
| E4 Four Extension Tubes – Max Run = 104 in. (2641 mm) | EXX Total Run Length to be Determined by Bidding Contractor |
| E5 Five Extension Tubes – Max Run = 126 in. (3200 mm) | |
| E6 Six Extension Tubes – Max Run = 148 in. (3759 mm) | |






4a Extension Tube Options (Leave blank if not desired)

- | | |
|---|-----------------------------------|
| A1 One 0-90 Degree Extension Tube (Angle Adapter) | E Wire Suspension Kit |
| A2 Two 0-90 Degree Extension Tubes (Angle Adapter) | SCG Severe Climate Glazing |

Assuming 6 in. (152 mm) high no-pitch flashing

Delivery Zone

5 Diffusers/Decorative Fixtures*

- | | | |
|--|---|--|
| L4 Classic Vusion™ Diffuser  | L9 JustFrost Decorative Fixture  | L15 AuroraGlo Decorative Fixture (White)  |
| L6 Classic Optiview Superwide  | L10 TierDrop Decorative Fixture  | L16 AuroraGlo Decorative Fixture (Bronze)  |
| L7 Classic Optiview Narrow | | |

*Must order Effect Lens; does not come standard

5a Effect Lenses

- | | |
|---------------------------------|---------------------------------------|
| LN Natural Effect Lens | LW Warm Effect Lens |
| LS Softening Effect Lens | LWS Warm Softening Effect Lens |

5b Options (Leave blank if not desired)

- | | |
|--|---|
| INC Universal Light Add-On Kit with Medium Screw Base (Accepts two 23W Maximum Fluorescent Lamp, Medium Base, Total Maximum Length 4 3/4 in. (120 mm) - Not Included) 110 V | D1 0-10V Daylight Dimmer |
| | LED 25W 100-277V, 0.31A, 50/60Hz |
| | TIP Thermal Insulation Panel |

6 Measurement Standard

- | | |
|-----------------|-------------------|
| M Metric | I Imperial |
|-----------------|-------------------|

7 Accessories (Order separately.)

- S1** Low voltage 0-10V switch (white) required to operate Solatube 010V Daylight Dimmers. Only one switch per forty-eight (48) synchronously controlled dimmers. (For 'D1' only) Note: For use when no controls have been specified and customer is looking for an off-the-shelf solution.
- TR20** UL Listed Class 2 Transformer 24 VAC, Rated 20 VA (For 'D1' only)
- TR96** UL Listed Class 2 Transformer 24 VAC, Rated 96 VA (For 'D1' only)

Example

S290DS-DA-F4-E4-L15 LN D CFL-M

Brighten Up® Series Solatube 290 DS (350 mm/14 in Daylighting System), Acrylic Dome, 4 in. (102 mm) high Flat/No Pitch Self Mounted Flashing, 4 Extension Tubes, AuroraGlo White Decorative Fixture, Natural Effect Lens, Daylight Dimmer and Compact Fluorescent Light Add-On Kit. For metric installations.