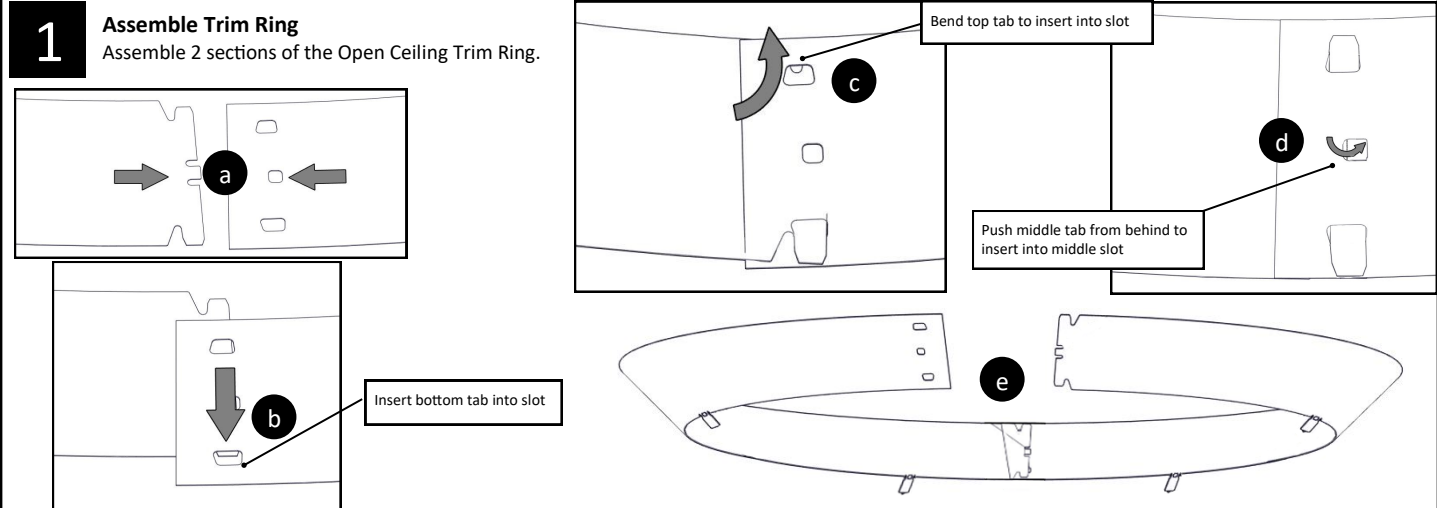


Parts List	Quantity
1 330 DS / 750 DS Trim Ring	(1)
2 Tube Screws -#8 X 9/16 in (14mm)	(4)

Additional Tools Needed	Quantity
1 Screw Gun with Phillips #2 Screw Drive Bit	

**1 Assemble Trim Ring**  
Assemble 2 sections of the Open Ceiling Trim Ring.

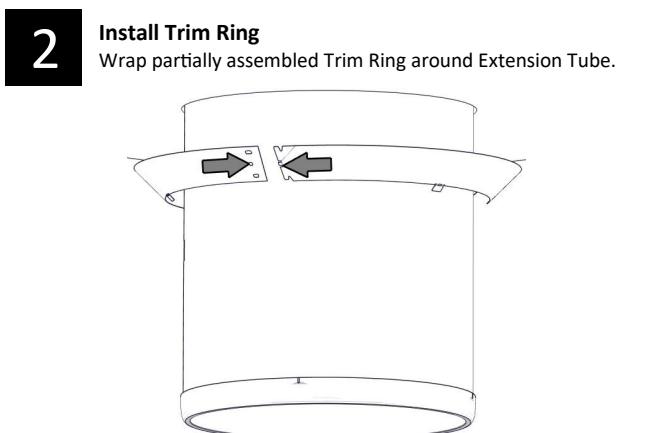


Insert bottom tab into slot

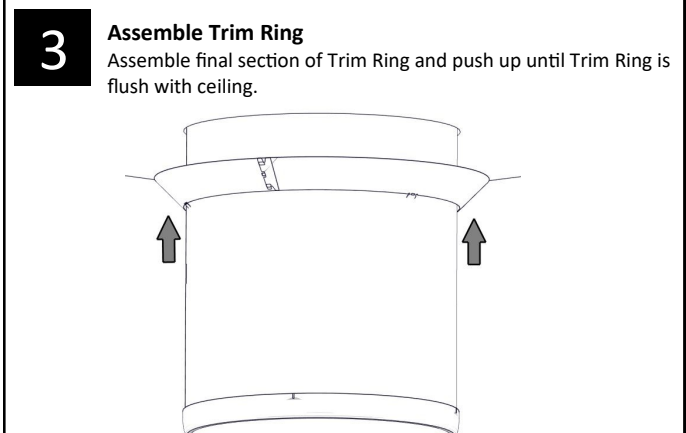
Bend top tab to insert into slot

Push middle tab from behind to insert into middle slot

**2 Install Trim Ring**  
Wrap partially assembled Trim Ring around Extension Tube.



**3 Assemble Trim Ring**  
Assemble final section of Trim Ring and push up until Trim Ring is flush with ceiling.



**4 Fasten Screws**  
While holding Trim Ring in place fasten 4 screws into 4 tabs.

