



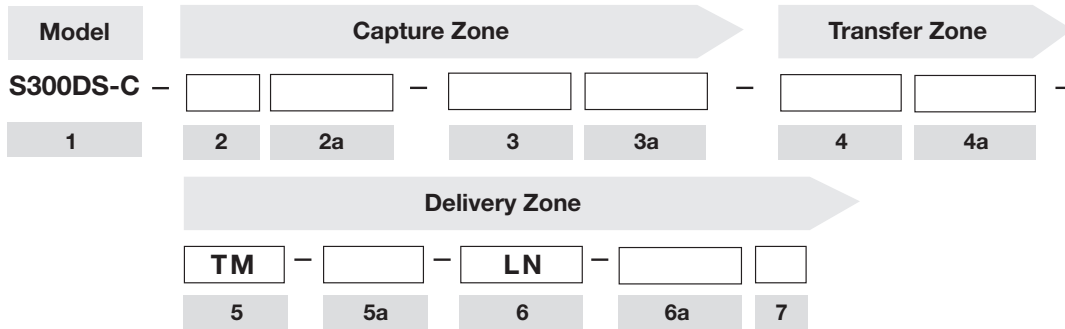
# Model: Solatube 300 DS Closed Ceiling (14 in./350 mm Daylighting System )

Project: \_\_\_\_\_

Location: \_\_\_\_\_

Type: \_\_\_\_\_

Product Specifications Appear in CSI Division 08, Section 08 62 23. For budgeting and quotations use only. Qty: \_\_\_\_\_



## 1 Model

**300 DS SolaMaster®** Solatube 300 DS (14 in./350 mm Daylighting System)

### Capture Zone



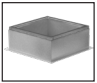

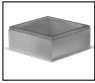
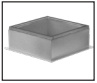
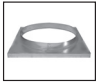
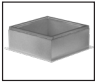
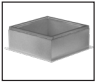
## 2 Domes (Leave blank if not desired)

**DA** Acrylic Dome      **DAI** Acrylic Dome + Shock Inner Dome (Acrylic)  
Required for High Velocity Hurricane Zones

## 2a Dome Options (Leave blank if not desired)

**PB** Dome Edge Protection Band      **FG** Rooftop Fire Glazing  
Required for High Fire Zones

## 3 Flashings

<b>F4</b> 4 in. (102 mm) Self Mounted		<b>F6</b> 6 in. (152 mm) Flat/No Pitch Metal, Self Mounted		<b>C16**</b> Metal Insulated Curb 26-1/2in. x 26-1/2 in. x 16 in. (673 mm x 673 mm x 406.5 mm)	
<b>FP</b> 4 in. (102 mm) Pitched Metal, Self Mounted (Black)		<b>C12**</b> Metal Insulated Curb 26-1/2in. x 26-1/2 in. x 12 in. (673 mm x 673 mm x 305 mm)		<b>C20**</b> Metal Insulated Curb 26-1/2in. x 26-1/2 in. x 20 in. (673 mm x 673 mm x 508 mm)	
<b>FC</b> Curb Cap (FM Approved**)		<b>C14**</b> Metal Insulated Curb 26-1/2in. x 26-1/2 in. x 14 in. (673 mm x 673 mm x 355.5 mm)		<b>CXX**</b> Metal Insulated Curb 26-1/2in. x 26-1/2 in. x XX in. (673 mm x 673 mm x XX mm) XX: Custom curb height determined by bidding contractor	

\*\* Only product that is FM approved. Must use Dome Polycarbonate (DP). It is required that a dome Edge Protection Band (PB) is used with FM approved flashings and (F8 & F11).  
The Dome Edge Protection Band for the Curb Cap (PBC) must be used with FM approved Curb Cap (FC).

\*\* Curbs designed for single-ply roofing, lightweight fill or tapered insulation low slope roof types.

**3a Flashing Options** (Leave blank if not desired)

- |   |                                       |
|---|---------------------------------------|
| <b>T12*</b> Roof Flashing Turret Extension 12 in./305 mm  | <b>FI</b> Flashing Insulator          |
| <b>T24*</b> Roof Flashing Turret Extension 24 in./610 mm  | <b>MR</b> Metal Roof Installation Kit |
| <b>T36*</b> Roof Flashing Turret Extension 36 in./914 mm  | <b>CCI</b> Curb Cap Insulation        |
| <b>T48*</b> Roof Flashing Turret Extension 48 in./1219 mm |                                       |

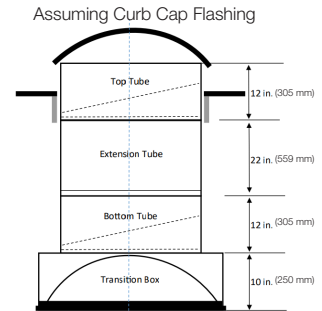
\* Specify additional extension tubes in #4

**Transfer Zone**

**4 Extension Tubes Required**

Run measured from top of roof deck to bottom of ceiling plane along centerline of tubing.

- |  |  |
|--|--|
| <b>E0</b> Base Kit, No Extension Tubes – Max Run = 34 in. (864 mm) | <b>E7</b> Seven Extension Tubes – Max Run = 188 in. (4775 mm)      |
| <b>E1</b> One Extension Tube – Max Run = 56 in. (1422 mm)          | <b>E8</b> Eight Extension Tubes – Max Run = 210 in. (5334 mm)      |
| <b>E2</b> Two Extension Tubes – Max Run = 78 in. (1981 mm)         | <b>E9</b> Nine Extension Tubes – Max Run = 232 in. (5893 mm)       |
| <b>E3</b> Three Extension Tubes – Max Run = 100 in. (2540 mm)      | <b>E10</b> Ten Extension Tubes – Max Run = 254 in. (6452 mm)       |
| <b>E4</b> Four Extension Tubes – Max Run = 122 in. (3099 mm)       | <b>EXX</b> Total Run Length to be Determined by Bidding Contractor |
| <b>E5</b> Five Extension Tubes – Max Run = 144 in. (3658 mm)       |  |
| <b>E6</b> Six Extension Tubes – Max Run = 166 in. (4216 mm)        |  |



**4a Extension Tube Options** (Leave blank if not desired)

- |   |                                     |
|---|-------------------------------------|
| <b>A1</b> One 0-90 Degree Extension Tube (Angle Adapter)  | <b>E</b> Wire Suspension Kit        |
| <b>A2</b> Two 0-90 Degree Extension Tubes (Angle Adapter) | <b>SCG</b> Severe Climate Glazing   |
|   | <b>*ES</b> SoftLight Extension Tube |

\*Use only one (1) Softlight Extension Tube per system

**Delivery Zone**

**5 Bottom Assembly**

- TM** Metal Transition Box 

**5a Diffuser Lens**

- |  |   |
|--|---|
| <b>L2</b> Prismatic Diffuser  | <b>L5</b> Optiview Wide  |
|  | <b>L6</b> Optiview Superwide  |
|  | <b>L7</b> Optiview Narrow   |

**6 Effect Lenses**

- LN** Natural Effect Lens

**6a Options** (Leave blank if not desired)

- INC** Universal Light Add-On Kit with Medium Screw Base (Accepts two (2) 23 Watt Maximum LED, Fluorescent, or Incandescent lamps, Medium Base, Total Maximum Length 4 3/4 in. (120mm) - Not Included)

- TIP** Thermal Insulation Panel  
**D1** 0-10v Daylight Dimmer

- LED** 25W 100-277V, 0.31A, 50/60Hz

**7 Measurement Standard**

- M** Metric                      **I** Imperial

**Accessories** (Order separately)

**S1** Low voltage 0-10v switch (white) required to operate Solatube 0-10v Daylight Dimmers. Only one switch is required per forty-eight (48) synchronously controlled dimmers. (For 'D1' only) Note: For use when no controls have been specified and customer is looking for an off-the-shelf solution. If different controls have been specified, please source those from others.

**TR20** UL Listed Class 2 Transformer 24 VAC, Rated 20 VA (For 'D1' only)

**TR96** UL Listed Class 2 Transformer 24 VAC, Rated 96 VA (For 'D1' only)

**Example**

**S300DS-C-DA-F6-E4-ES-TM-L5-LN-I**

SolaMaster Series Solatube 300 DS (14 in./350 mm Daylighting System), Acrylic Dome, 6-inch/152 mm high Flat/No Pitch Self Mounted Flashing, 4 Extension Tubes, Softlight Extension Tube, OptiView Wide Diffuser, Natural Effect Lens. For Imperial installations.