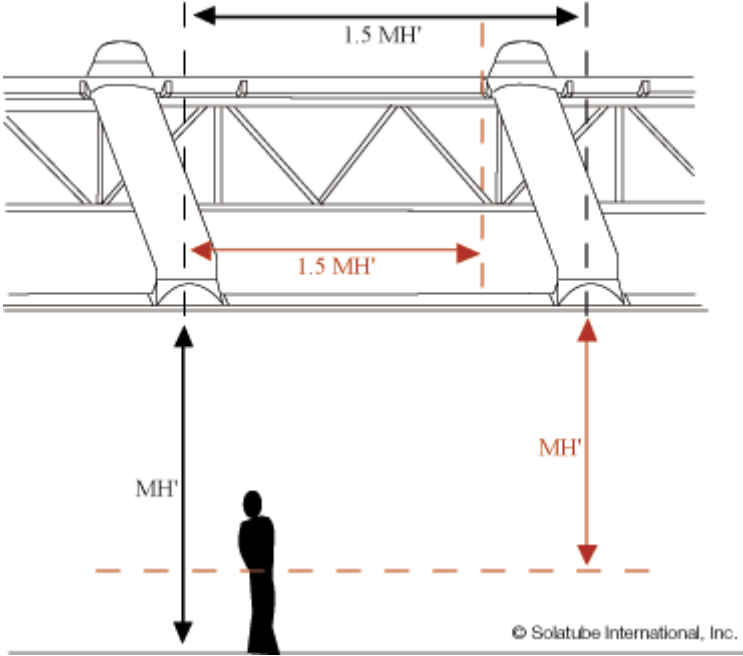


Solatube Daylighting Systems Spacing Criteria

The following spacing criteria can be used to create an estimated layout of Solatube 330 DS/750 DS Daylighting Systems for Closed Ceiling applications. These criteria should be used for applications with a ceiling height no greater than 15 feet (4.5 meters). Spacing is based on the mounting height (MH) of the diffuser above the work plane (i.e. desk top for offices or floor for corridors) to be illuminated.

Although these guidelines help to achieve optimum uniformity of illumination, they will not provide the correct light/lumen level. For assistance in designing with other Solatube Daylighting Systems or applications, or for a more in-depth analysis call 888-SOLATUBE or find your local Commercial Daylighting Expert.

Space Type and Spacing Criteria		
Spacing	Enclosed Spaces ¹	Open Plan Spaces ²
From Walls	Spacing $\geq 0.5 \times MH$ ($1.0 \times MH = \text{Maximum}$)	Spacing $\geq 0.5 \times MH$ ($1.0 \times MH = \text{Maximum}$)
Between Units	$1.0 \times MH < \text{Spacing} < 1.3 \times MH$ (Maximum Spacing = $1.5 \times MH$)	$1.0 \times MH < \text{Spacing} < 1.3 \times MH$ (Maximum Spacing = $1.5 \times MH$)
Tips	Using a single unit to light more than a 5m x 5m space may cause shadowing of wall surfaces and unacceptable uniformity of work surface illumination.	Using a single unit to light more than a 48 m ² . partitioned space may cause unacceptable shadowing of desk surfaces.



- Notes:
1. Enclosed spaces should generally be no larger than 5 m square and should not have any interior partitions that subdivide the space into smaller work areas. Examples of enclosed spaces include offices, kitchens, bathrooms, and small to moderate sized meeting and conference rooms.
 2. Examples of open plan spaces are open plan offices, hallways, large reception areas, classrooms, showrooms, and restaurant dining rooms.