

M74 DS Thermal Insulation Panel (TIP)

Installation Instructions Addendum

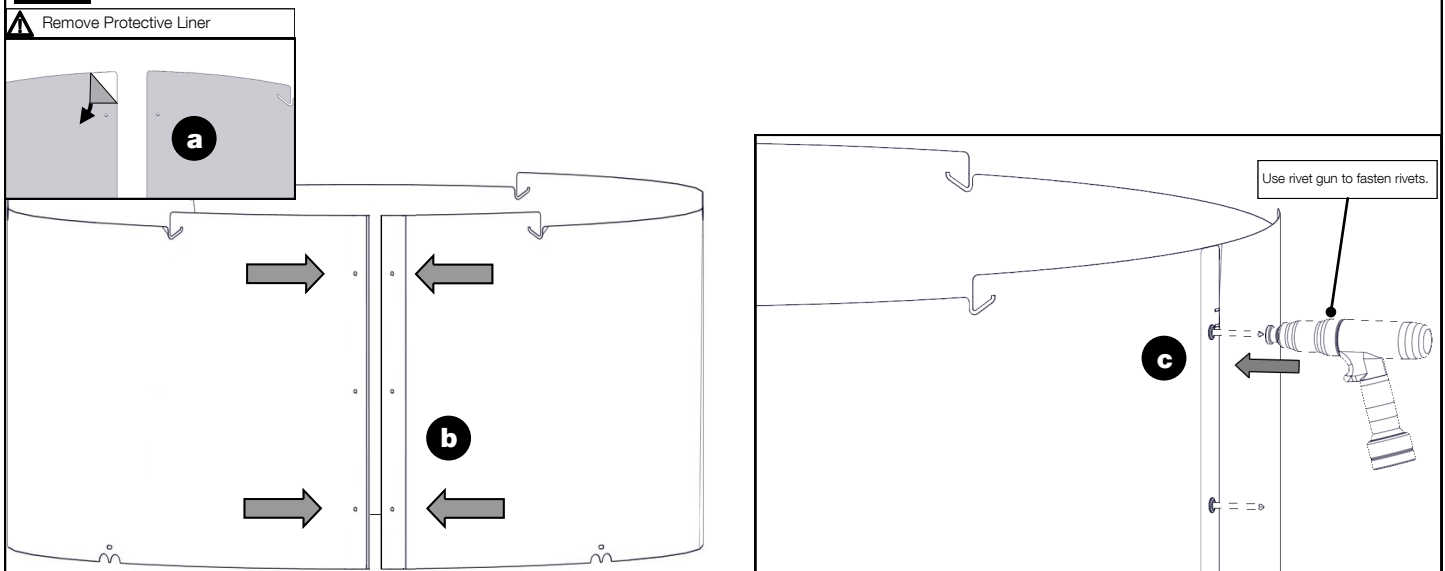
Parts List	Quantity
1 Thermal Insulation Panel (TIP)	(1)
2 12 in (305 mm) Transition Tube	(2)
3 Tube Rivets	(6)
4 Foil Tape 2in (50 mm) 18ft (5.5m)	(1)
5 Tube Screws -#8 X 9/16 in (14mm)	(11)
6 Tube Belt	(1)

Parts List	Quantity
1 Screw Gun with Phillips #2 Screw Drive Bit	
2 Rivet Gun	

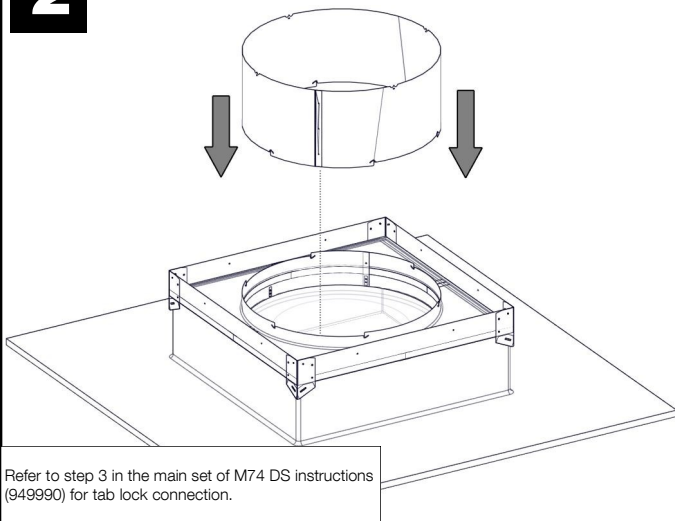
Note: For best thermal performance, install the Thermal Insulation Panel within the roofing assembly insulation level.

1 Assemble Transition Tubes

Align pre-punched holes and install rivets.

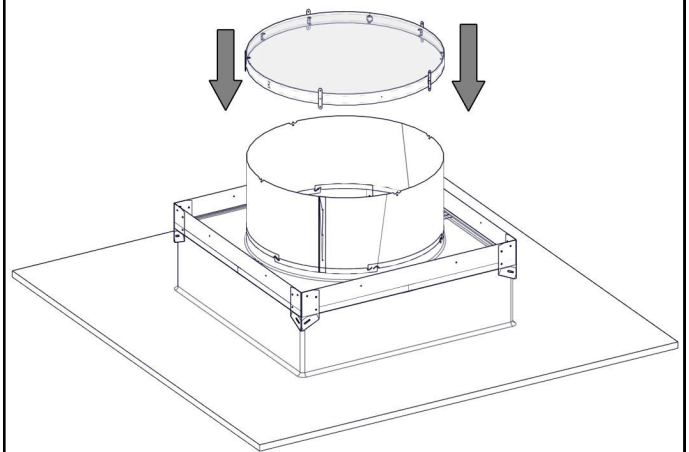


2 Install Transition Tube



3 Install Thermal Insulation Panel

Place Thermal Insulation Panel on top of Transition Tube. Transition Tube will rest on inside of TIP.

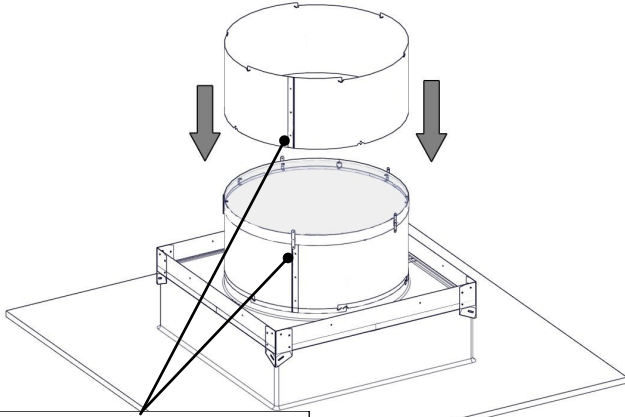


For the most current Installation Instructions, please visit www.solatube.com/instructions

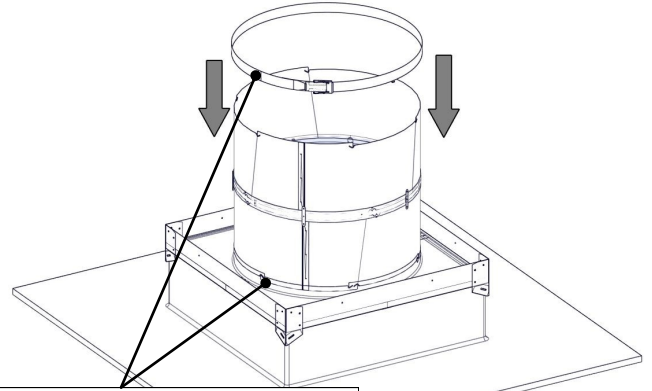
Solatube International, Inc. | 2210 Oak Ridge Way | Vista, CA 92081-8341 | www.solatube.com | T: 888.SOLATUBE

4**Install Transition Tube**

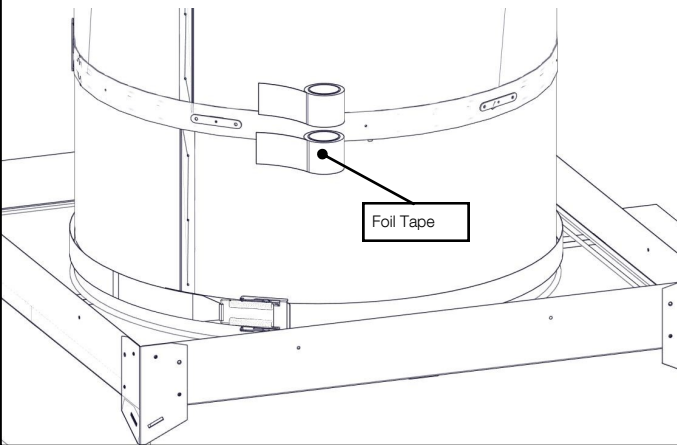
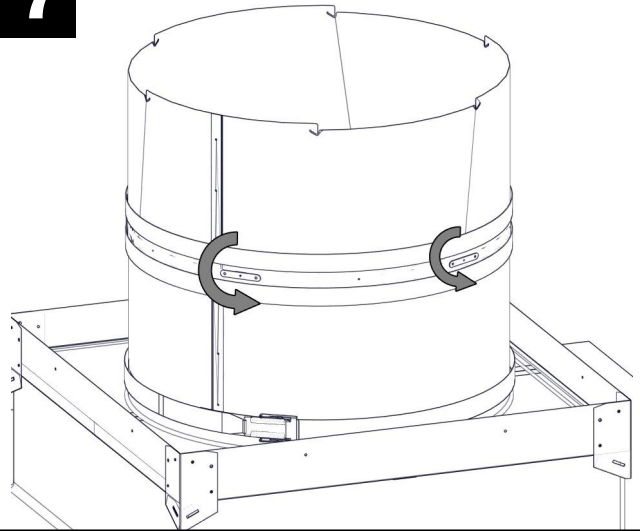
Place Transition Tube on top of Thermal Insulation Panel .
Transition Tube will rest on inside of TIP.



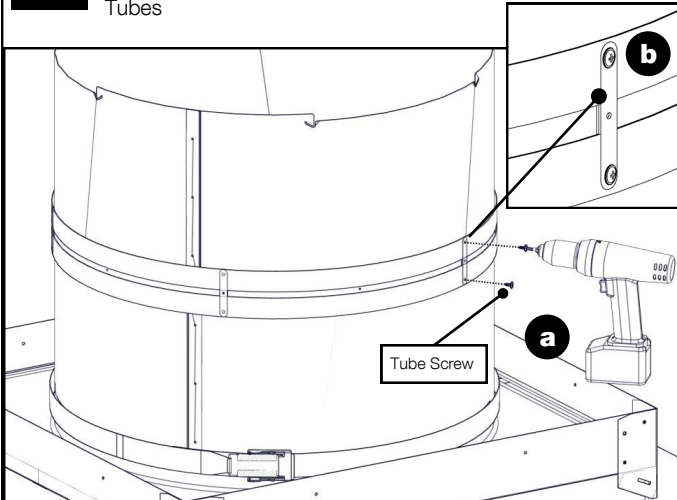
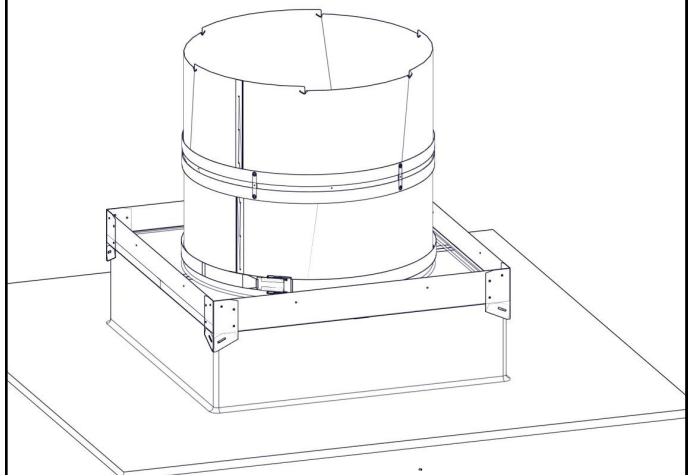
Align Transition Tube seams to ensure Tab
Locks are properly aligned.

5**Install Tube Belt**

Refer to step 4 in the main set of M74 DS instructions
(949990) for Tube Belt connection.

6**Apply Foil Tape****7****Rotate Fastening Straps****8****Install Fastening Screws**

Secure each Fastening Strap to upper and lower Transition
Tubes

**9****Return to Main Set of Instructions for Additional
Tube Attachment**

For the most current Installation Instructions, please visit www.solatube.com/instructions

2 Solatube International, Inc. | 2210 Oak Ridge Way | Vista, CA 92081-8341 | www.solatube.com | T: 888.SOLATUBE